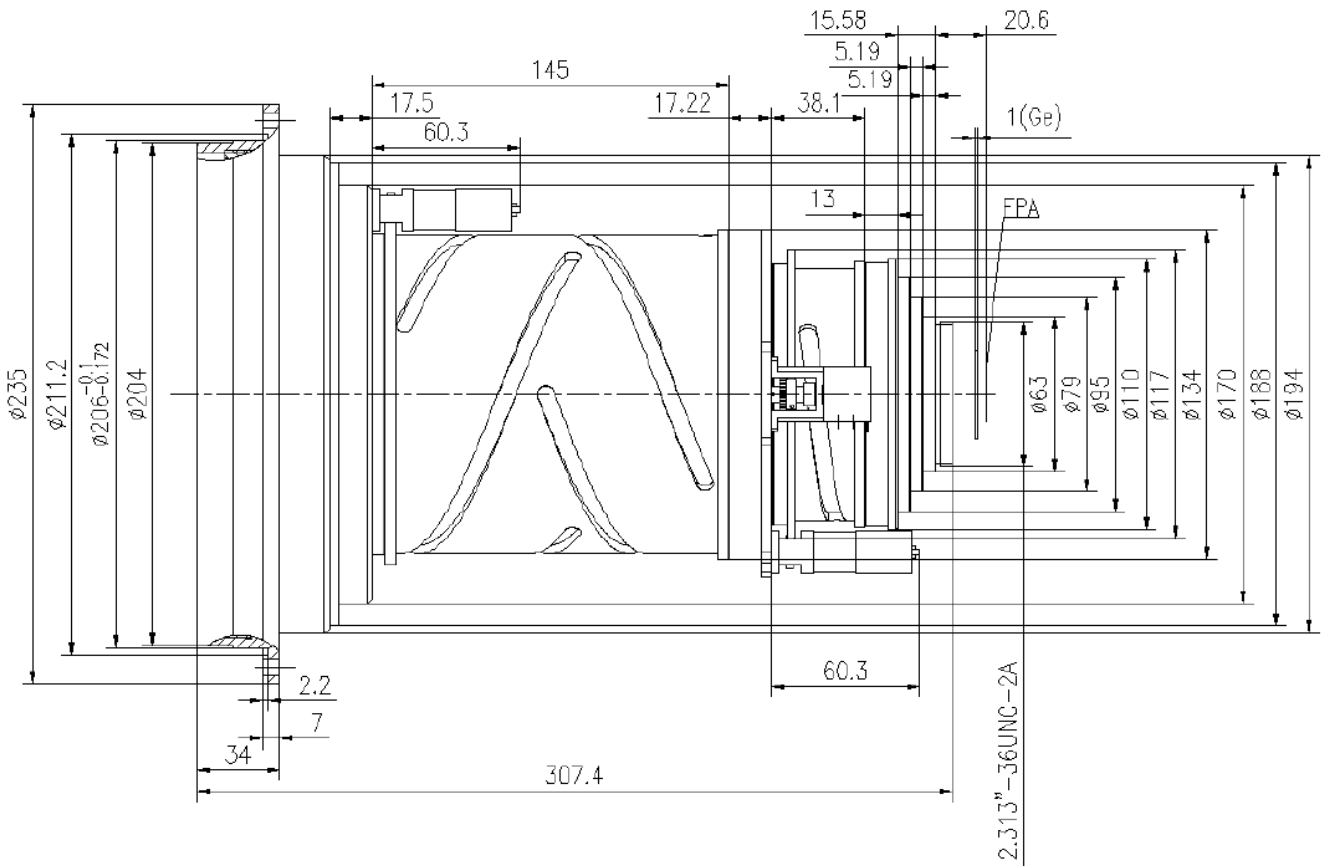
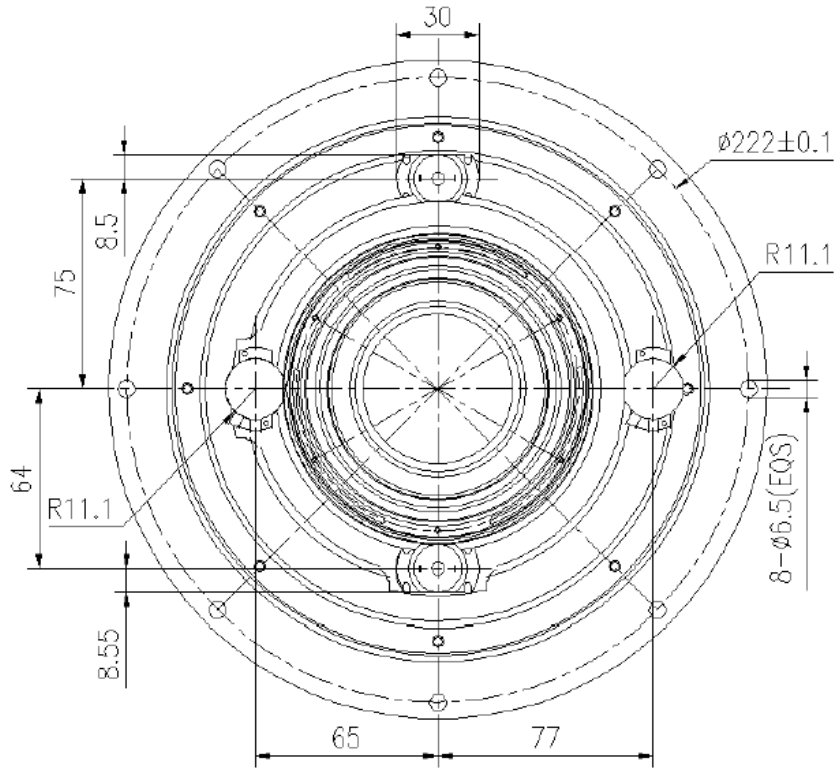


GCZ92513KD 25~225mm Continuous Zoom

Infrared Lens

For HD



HFOV	160x120	320x240	336x256	384x288	640x480	640x512	1024x768	1280x1024
17μm	0.7°-6.2°	1.4°-12.4°	1.5°-13°	1.7°-14.9°	2.8°-24.6°	2.8°-24.6°	4.4°-38.4°	
14μm	0.6°-5.1°	1.1°-10.2°	1.2°-10.7°	1.4°-12.3°	2.3°-20.3°	2.3°-20.3°	3.6°-32°	
12μm	0.5°-4.4°	1°-8.8°	1°-9.2°	1.2°-10.5°	2°-17.5°	2°-17.5°	3.1°-27.6°	3.9°-34.2°

Optical

Focal Length(mm)	25~225mm 9X Continuous Zoom
F/#	0.85/1.3
Spectrum	8~14μm
Effective Image Surface	Φ21.8
Detector up to	1024x768/12μm /14μm/17μm 1280X1024/12μm

Mechanical

Interface	Flange
Focus Mechanism	Motorized
Dimensions (mm)	L:307.4 D: 235
Weight	<6100g

Electrical & Communications

Power Input	DC 6~12V,0.15A
Communications	NA

Environmental

Operating Temperature	-30°C to +60°C
Storage Temperature	-40°C to +70°C
Front Lens Sealing	IP67
External Coating	DLC