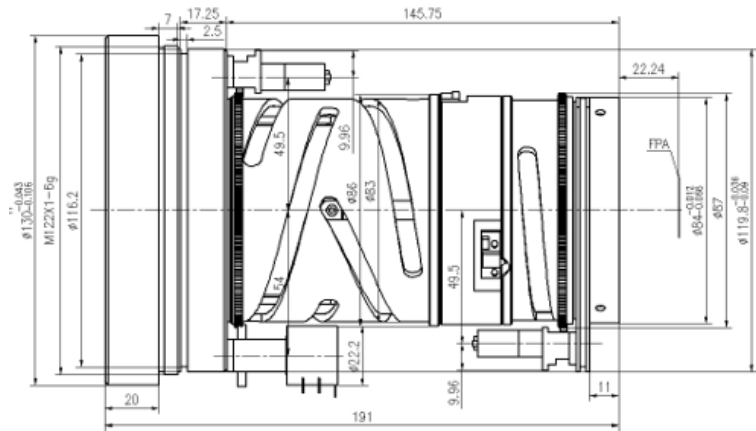


GCZ4251 1D 25-100mm f/0.9-1.1 Continuous Zoom Infrared Lens



HFOV	160x120	320x240	336x256	384x288	640x480	640x512	1024x768	1280x1024
25μm	2.3°-9.1°	4.6°-18.2°	4.8°-19.1°	5.5°-21.7°				
17μm	1.6°-6.2°	3.1°-12.4°	3.3°-13°	3.7°-14.9°	6.2°-24.6°	6.2°-24.6°		
12μm	1.1°-4.4°	2.2°-8.8°	2.3°-9.2°	2.6°-10.5°	4.4°-17.5°	4.4°-17.5°		

Optical

Focal Length(mm)	25-100
F/#	0.9-1.1
Wavelength	8-14μm
Focus Range	3m-Infinity
Detector	640x480 17μm
Format	Ø16.8

Mechanical

Interface	Flange
Focus Mechanism	Motorized
Dimensions (mm)	Ø130x 191
Weight	1874g

Electrical & Communications

Power Input	DC 6-12V 0.15A
Communications	NA

Environmental

Operating Temperature	-40°C to +60°C
Storage Temperature	-40°C to +80°C
External Coating	DLC
Front Element Sealing	IP67