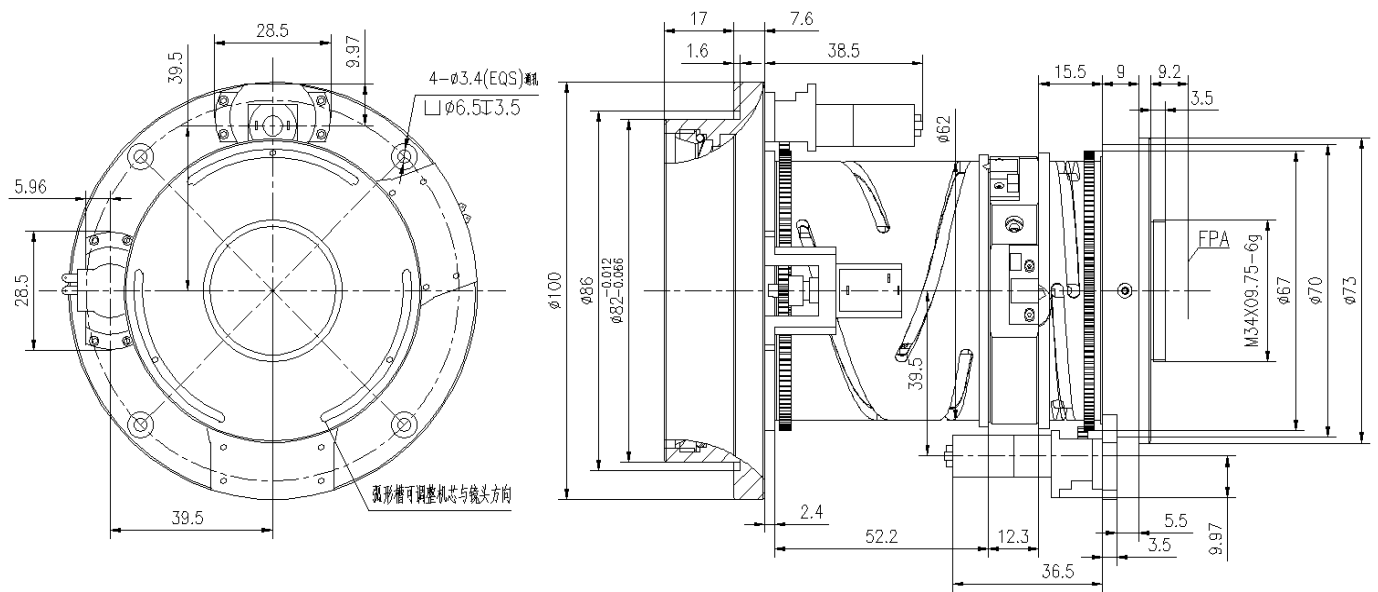


GCZ412510D 12.5-50mm f/0.8-1.0 Continuous Zoom Lens

(with front flange)



HFOV	160x120	320x240	336x256	384x288	640x480	640x512	1024x768	1280x1024
38μm	7°-27.3°							
35μm	6.4°-25.3°							
25μm	4.6°-18.2°	9.1°-35.5°	9.6°-37.1°	11°-42°				
17μm	3.1°-12.4°	6.2°-24.6°	6.5°-25.7°	7.5°-29.3°	12.4°-47°	12.4°-47°		
12μm	2.2°-8.8°	4.4°-17.5°	4.6°-18.3°	5.3°-20.9°	8.8°-34.2°	8.8°-34.2°		

Optical

Focal Length(mm)	12.5-50, 4X continuous zoom
F/#	0.8-1.0
Focus Range	3m-Infinity
Image dimension	Ø14
Wave length	8-14μm

Mechanical

Focus Mechanism	Motorized
Dimensions (mm)	Ø100x122
Weight	776g

Electrical & Communications

Power Input	DC 6-12V 0.15A
-------------	----------------

Environmental

Operating Temperature	-40°C to +60°C
Storage Temperature	-60°C to +85°C
External Coating	DLC
Front Element Sealing	IP67