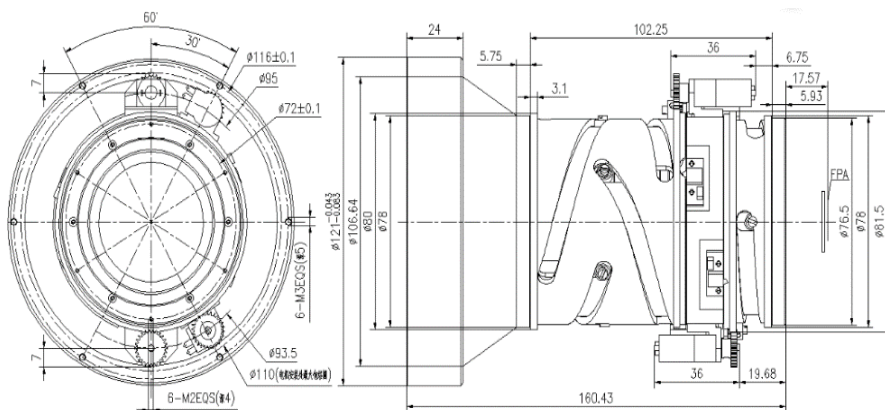


GCZ52512D 25-125mm f/0.8-1.2 Continuous Zoom Infrared Lens



HFOV	160x120	320x240	336x256	384x288	640x480	640x512	1024x768	1280x1024
25μm	1.8°-9.1°	3.7°-18.2°	3.8°-19.1°	4.4°-21.7°				
17μm	1.2°-6.2°	2.5°-12.4°	2.6°-13°	3°-14.9°	5°-24.6°	5°-24.6°		
12μm	0.9°-4.4°	1.8°-8.8°	1.8°-9.2°	2.1°-10.5°	3.5°-17.5°	3.5°-17.5°		

Optical

Focal Length(mm)	25-125
F/#	0.8-1.2
Wavelength	8-14μm
Format	Ø14

Mechanical

Focus Mechanism	Motorized
Dimensions (mm)	Ø121x 160.43
Weight	1308.6g

Electrical & Communications

Power Input	DC 6-12V 0.15A
Communications	NA

Environmental

Operating Temperature	-40°C to +60°C
Storage Temperature	-50°C to +80°C
External Coating	DLC
Front Element Sealing	IP67