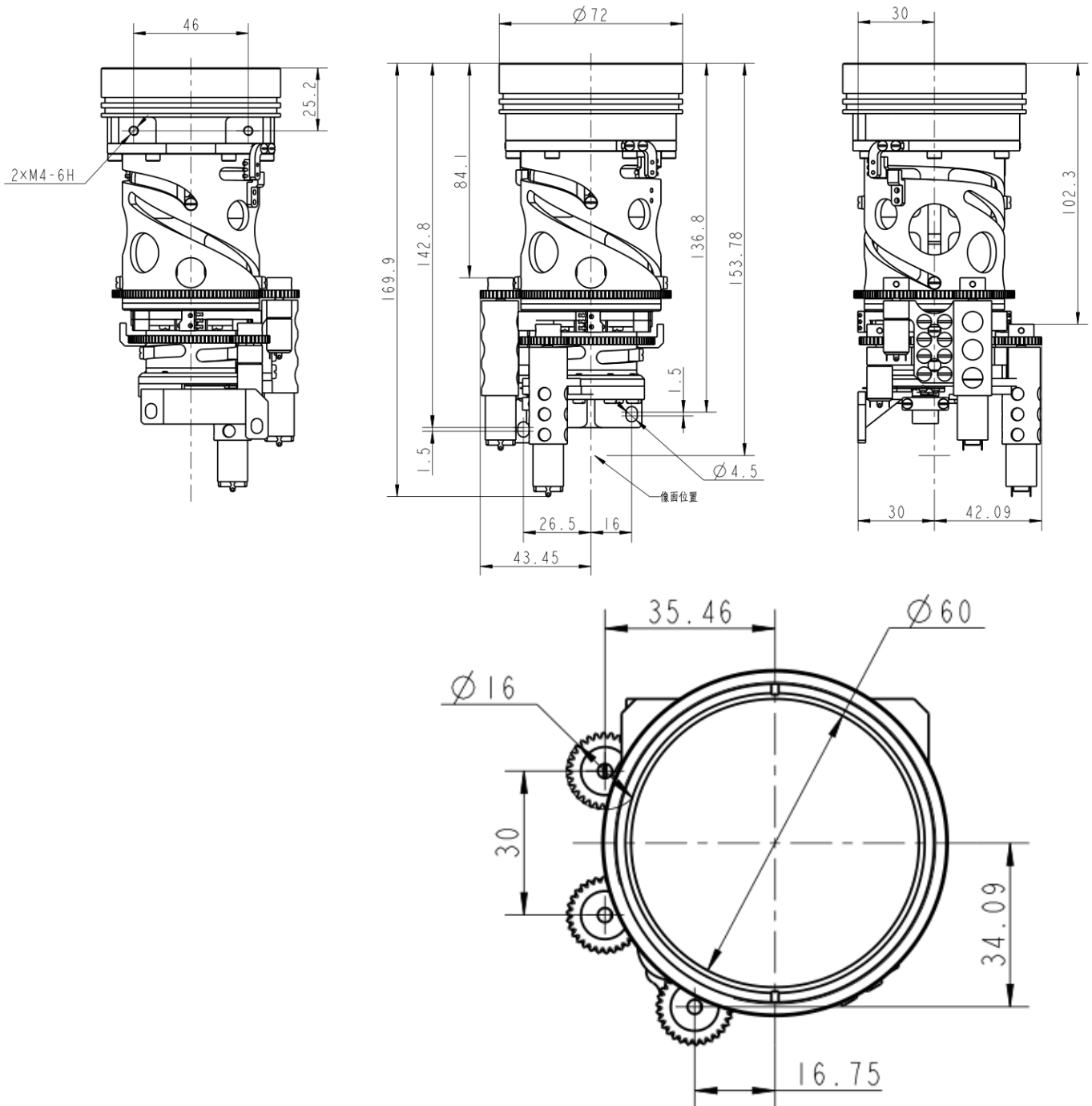


GMZ830A 30-240mm f/4.0 MWIR Continuous Zoom Infrared Lens



HFOV	160x120	320x240	336x256	384x288	640x480	640x512	1024x768	1280x1024
17μm	0.6°-5.2°	1.3°-10.4°	1.4°-10.9°	1.6°-12.4°	2.6°-20.6°	2.6°-20.6°		
15μm	0.6°-4.6°	1.1°-9.1°	1.2°-9.6°	1.4°-11°	2.3°-18.2°	2.3°-18.2°		
12μm	0.5°-3.7°	0.9°-7.3°	1°-7.7°	1.1°-8.8°	1.8°-14.6°	1.8°-14.6°		

Optical

Focal Length(mm)	30 - 240
F/#	4.0
Wave Length	3 - 5 μm
Image range	10m -Infinity
Detector	640x512 15μm

Mechanical

Interface	Flange
Focus Mechanism	Motorized
Dimensions (mm)	Ø72x 169.9
Weight (grams)	651

Electrical & Communications

Power Input	DC12V 0.2A
Communications	NA

Environmental

Operating Temperature	-40°C to +60°C
Storage Temperature	-40°C to +80°C
Front Lens Sealing	IP67
External Coating	AR