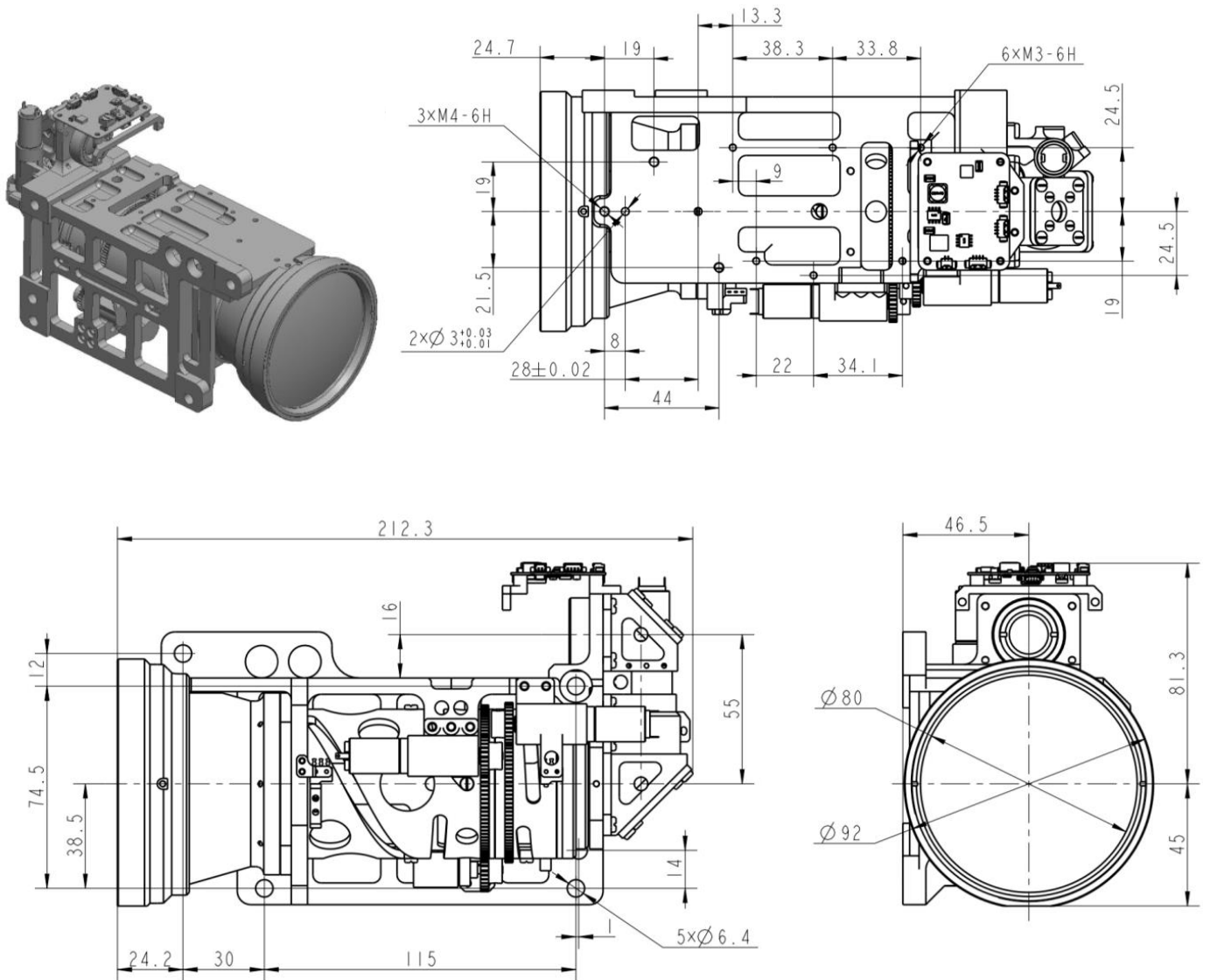


## GMZ665 50-330mm f/4.0 MWIR Continuous Zoom Infrared Lens



HFOV	160x120	320x240	336x256	384x288	640x480	640x512	1024x768	1280x1024
17μm	0.5°-3.1°	0.9°-6.2°	1°-6.5°	1.1°-7.5°	1.9°-12.4°	1.9°-12.4°		
15μm	0.4°-2.7°	0.8°-5.5°	0.9°-5.8°	1°-6.6°	1.7°-11°	1.7°-11°		
12μm	0.3°-2.2°	0.7°-4.4°	0.7°-4.6°	0.8°-5.3°	1.3°-8.8°	1.3°-8.8°		

## Optical

Focal Length(mm)	50 - 330
F/#	4.0
Wave Length	3.7 – 4.8 $\mu$ m
Image range	5m -Infinity   20m -Infinity
Detector	640x512 15 $\mu$ m

## Mechanical

Interface	Flange
Focus Mechanism	Motorized
Dimensions (mm)	$\varnothing$ 86.5x 212.3
Weight (grams)	1.4kg

## Electrical & Communications

Power Input	NA
Communications	NA

## Environmental

Operating Temperature	-40°C to +60°C
Storage Temperature	-40°C to +80°C
Front Lens Sealing	IP67
External Coating	AR