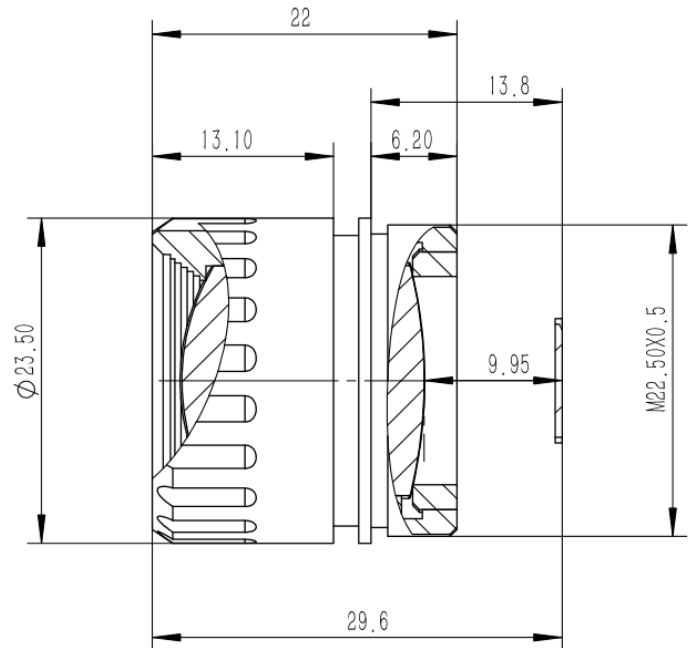


GLM1511YD 15mm f/1.1 Manual Lens



HFOV	160x120	320x240	336x256	384x288	640x480	640x512	1024x768	1280x1024
25μm	15.2°	29.9°	31.3°	35.5°				
17μm	10.4°	20.6°	21.6°	24.6°	39.9°	39.9°		
12μm	7.3°	14.6°	15.3°	17.5°	28.7°	28.7°		

Optical

Focal Length	15mm
F/#	1.1
Detector	640X480 17μm

Mechanical

Interface	Thread
Focus Mechanism	Manual
Dimensions (mm)	Ø23.5x 22

Environmental

Operating Temperature	-40°C to +60°C
Storage Temperature	-40°C to +80°C
Front Element Sealing	IP67
External Coating	DLC