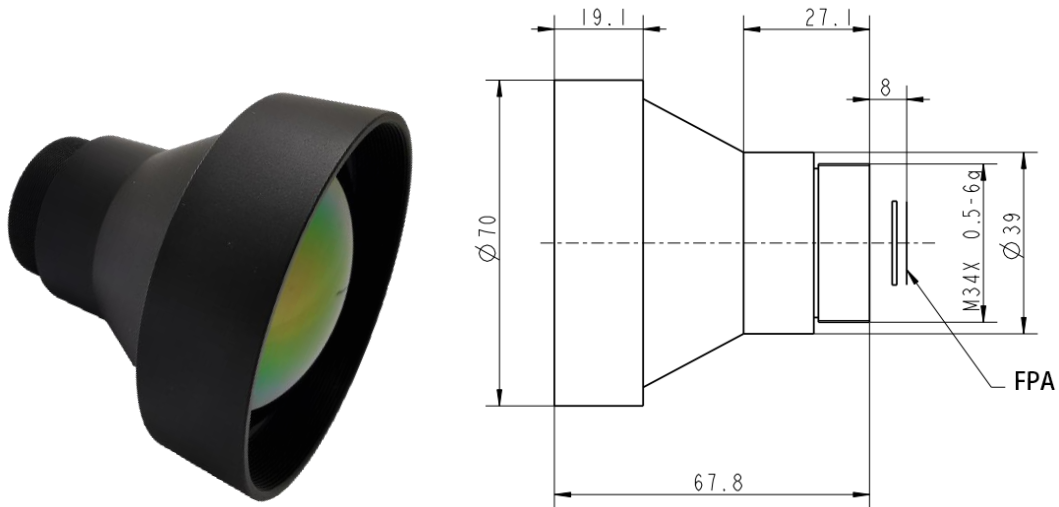


GLA7512ZA3 75mm f/1.2 Optical Athermalized Infrared Lens



HFOV	160x120	320x240	336x256	384x288	640x480	640x512	1024x768	1280x1024
25μm	3.1 °	6.1 °	6.4 °	7.3 °				
17μm	2.1 °	4.2 °	4.4 °	5.0 °	8.3 °	8.3 °		
12μm	1.5 °	2.9 °	3.1 °	3.5 °	5.9 °	5.9 °		

Optical

Focal Length	75mm
F/#	1.2
Detector	640x512, 17μm
Wave Length	8-12μm

Mechanical

Interface	Thread M34x0.5
Focus Mechanism	Fixed Athermalized
Dimensions (mm)	Ø70x67.8
Weight	207.5g

Environmental

Sealing	IP 67
Operating Temperature	-40°C to +60°C
External Coating	AR