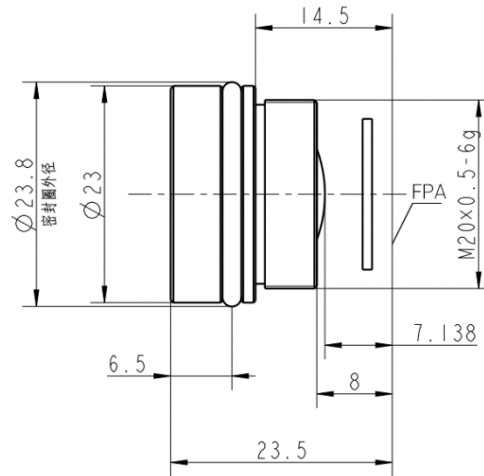


GLA1310ZA 13mm f/1.0 Optical Athermalized Infrared Lens



HFOV	160x120	320x240	336x256	384x288	640x480	640x512	1024x768	1280x1024
25μm	17.5 °	34.2 °	35.8 °	40.5 °				
17μm	11.9 °	23.6 °	24.8 °	28.2 °	45.4 °	45.4 °		
12μm	8.4 °	16.8 °	17.6 °	20.1 °	32.9 °	32.9 °		

Optical

Focal Length	13mm
F/#	1.0
Detector	640x512 17μm (640 12μm compatible)
Wave Length	8-14μm
Focus Range	1m-Infinity

Mechanical

Interface	Thread
Focus Mechanism	Fixed Athermalized
Dimensions (mm)	Ø23.8x16.362
Weight	18.5g

Environmental

Sealing	IP 67
Operating Temperature	-40°C to +80°C
External Coating	AR