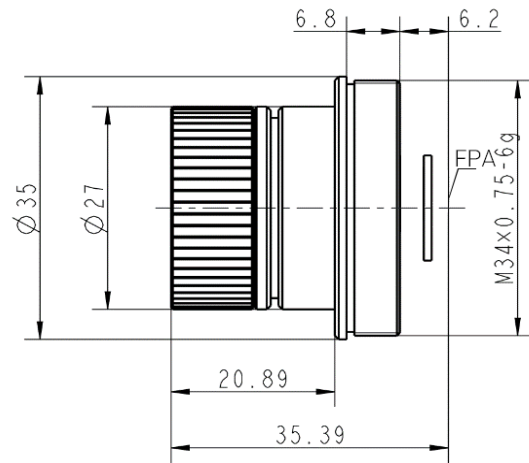


GLA06710ZSA 6.7mm f/1.0 Optical Athermalized Infrared Lens



HFOV	160x120	320x240	336x256	384x288	640x480	640x512	1024x768	1280x1024
25 μ m	33.2°							
17 μ m	22.9°	44.2°	46.2°	51.9°				
12 μ m	16.3°	32.0°	33.5°	38.0°				

Optical

Focal Length	6.7mm
F/#	1.0
Detector	384x288, 17 μ m
Wave Length	8-14 μ m

Mechanical

Interface	Thread
Focus Mechanism	Fixed Athermalized
Dimensions (mm)	\varnothing 35x 29.19
Weight	< 50g

Environmental

Sealing	IP 67
Operating Temperature	-40°C to +60°C
External Coating	AR