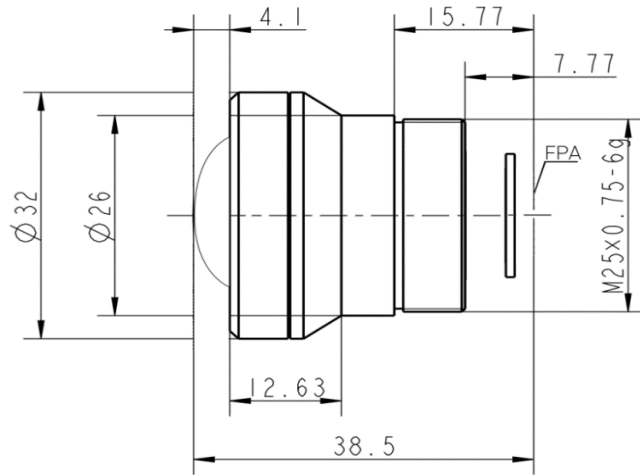


GLA0412ZSD 4mm f/1.2 Optical Athermalized Infrared Lens



HFOV	160x120	320x240	336x256	384x288	640x480	640x512	1024x768	1280x1024
20 μ m	43.6 °	77.3 °	80.1 °	87.7 °				
17 μ m	37.6 °	68.4 °	71.1 °	78.4 °				
12 μ m	27.0 °	51.3 °	53.5 °	59.9 °				

Optical

Focal Length	4mm
F/#	1.2
Detector	384x288, 20 μ m
Wave Length	8-14 μ m
Focus Range	1m-Infinity

Mechanical

Interface	Thread
Focus Mechanism	Fixed Athermalized
Dimensions (mm)	Ø32x30.73
Weight	52g

Environmental

Sealing	IP 67
Operating Temperature	-40°C to +80°C
External Coating	DLC