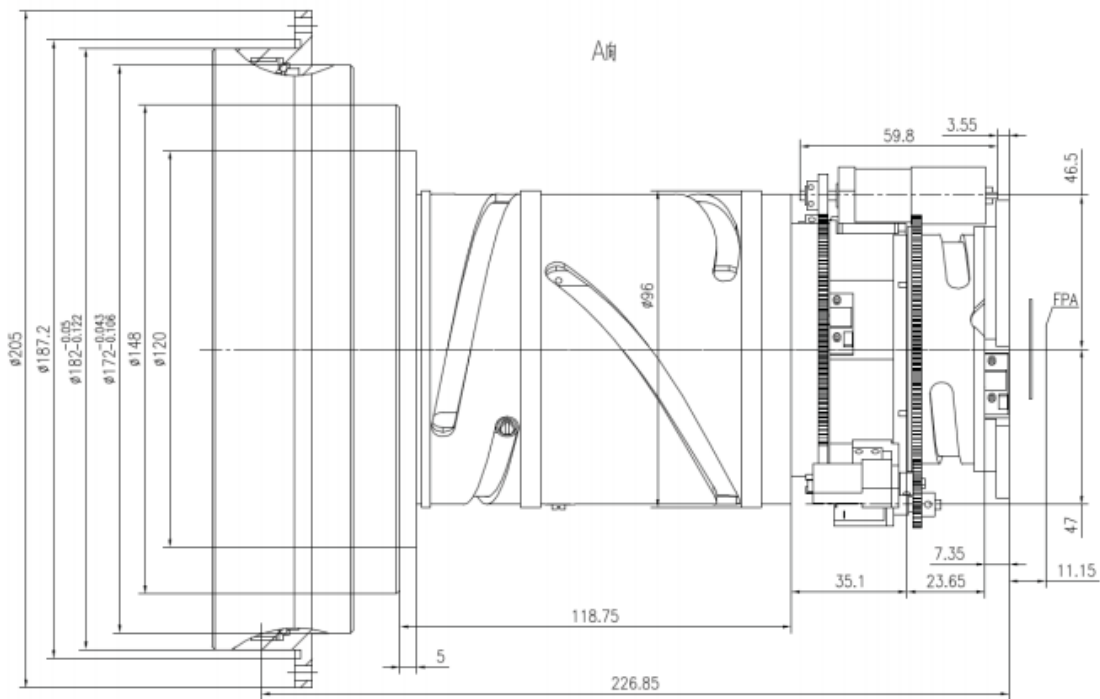
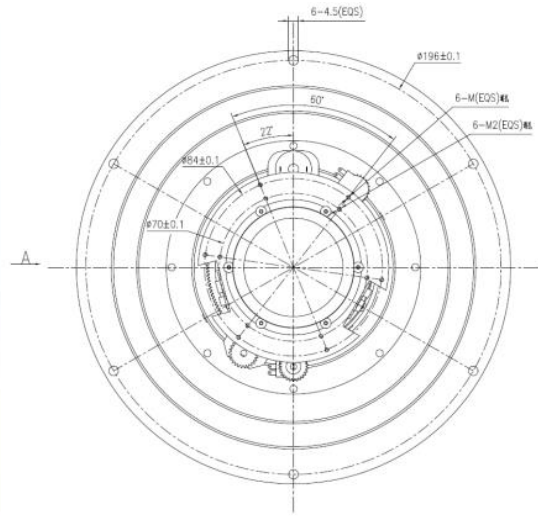


## GCZ53612D 36-180mm f/1.2 Continuous Zoom Infrared Lens



### 36-180mm

HFOV	160x120	320x240	336x256	384x288	640x480	640x512	1024x768	1280x1024
25μm	1.3°-6.4°	2.5°-12.7°	2.7°-13.3°	3.1°-15.2°				
20μm	1°-5.1°	2°-10.2°	2.1°-10.7°	2.4°-12.2°	4.1°-20.2°	4.1°-20.2°		
17μm	0.9°-4.3°	1.7°-8.6°	1.8°-9.1°	2.1°-10.4°	3.5°-17.2°	3.5°-17.2°		
12μm	0.6°-3.1°	1.2°-6.1°	1.3°-6.4°	1.5°-7.3°	2.4°-12.2°	2.4°-12.2°		

## Optical

Focal Length(mm)	36-180
F/#	1.2
Focus Range	5m-Infinity
Foemat	Ø14

## Mechanical

Interface	Flange
Focus Mechanism	Motorized
Dimensions (mm)	Ø205x 226.85
Weight	<3700g

## Electrical & Communications

Power Input	NA
Communications	NA

## Environmental

Operating Temperature	-40°C to +60°C
Storage Temperature	-45°C to +80°C
External Coating	DLC
Front Element Sealing	IP67