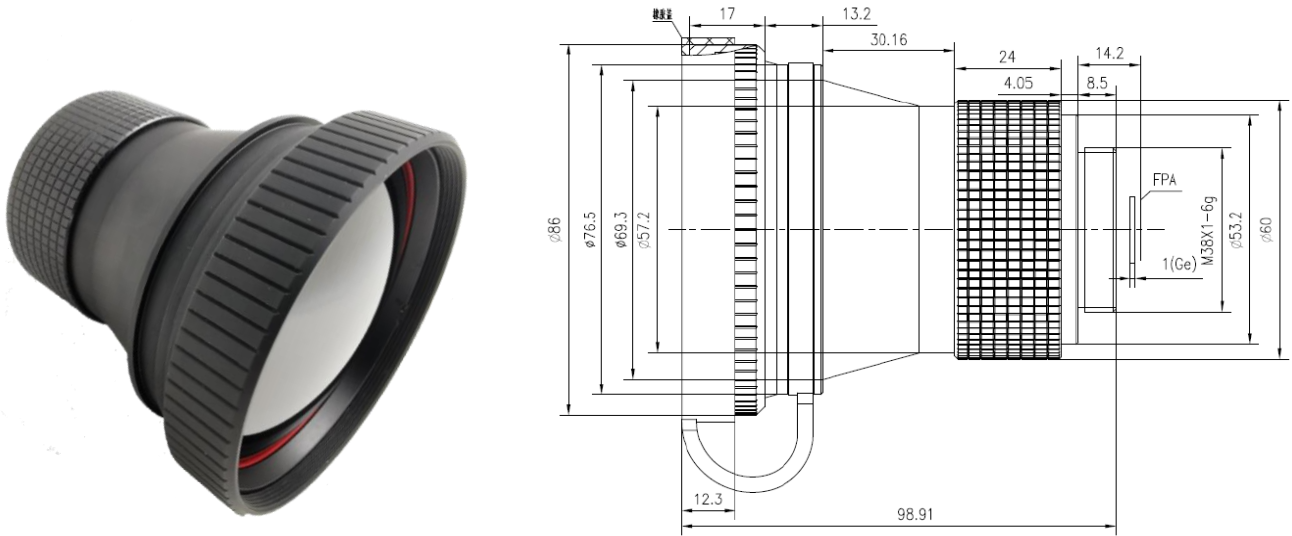


GLM7510D 75mm f/1.0 Manual LWIR Lens



HFOV	160x120	320x240	336x256	384x288	640x480	640x512	1024x768	1280x1024
25μm	3.1°	6.1°	6.4°	7.3°				
17μm	2.1°	4.2°	4.4°	5.0°	8.3°	8.3°		
12μm	1.5°	2.9°	3.1°	3.5°	5.9°	5.9°		

Optical

Focal Length	75
F/#	1.0
Focus Range	5m-Infinity
Detector	640X512 17μm

Mechanical

Interface	Thread
Focus Mechanism	Manual
Dimensions (mm)	Ø86x 98.91
Weight	357.1g

Electrical & Communications

Power Input	NA
Communications	NA

Environmental

Operating Temperature	-40°C to +60°C
Storage Temperature	-45°C to +65°C
External Coating	DLC
Front Element Sealing	IP67