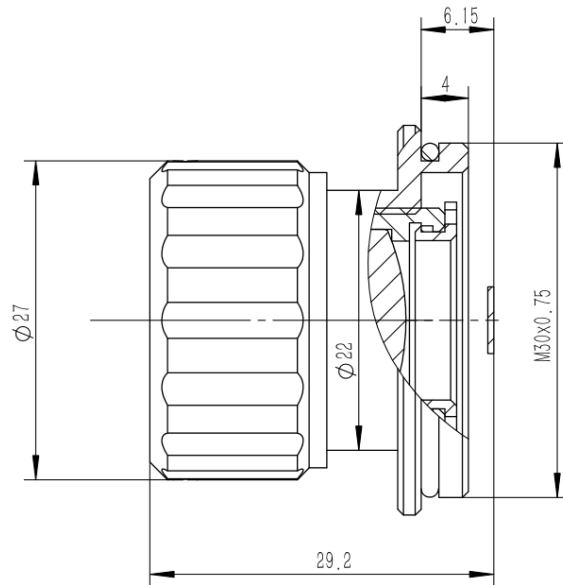


GLM1111YD 11mm f/1.1 Lens



HFOV	160x120	320x240	336x256	384x288	640x480	640x512	1024x768	1280x1024
25 μ m	20.6°	40.0°	41.8°	47.1°				
17 μ m	14.1°	27.8°	29.1°	33.1°	52.6°	52.6°		
12 μ m	10.0°	19.8°	20.8°	23.7°	38.5°	38.5°		

Optical

Focal Length	11mm
F/#	1.1
Detector	640X480 17 μ m

Mechanical

Interface	Thread
Focus Mechanism	Manual
Dimensions (mm)	$\phi 27 \times 29.2$

Environmental

Operating Temperature	-40°C to +60°C
Storage Temperature	-40°C to +80°C
Front Element Sealing	IP67
External Coating	DLC