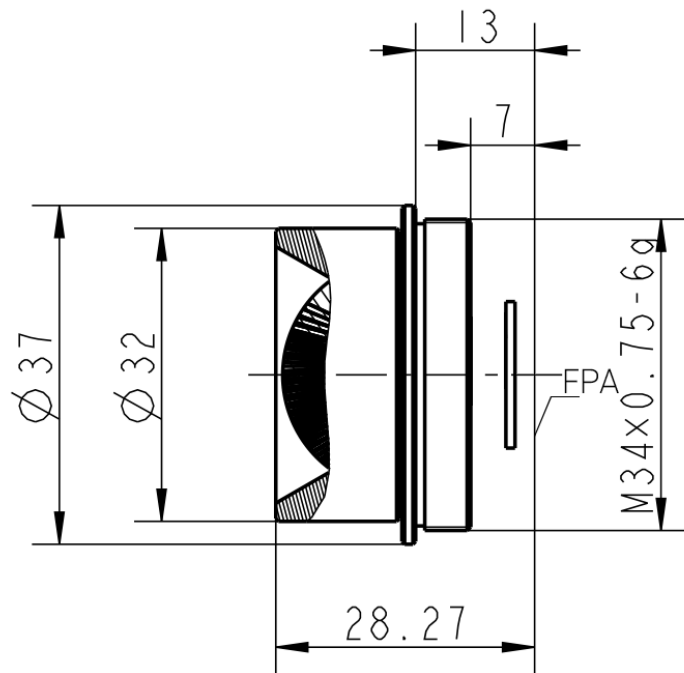


GLA1710ZA 17mm f/1.0 Optical Athermalized Infrared Lens



HFOV	160x120	320x240	336x256	384x288	640x480	640x512	1024x768	1280x1024
25 μ m	13.4°	26.5°	27.8°	31.5°				
17 μ m	9.1°	18.2°	19.1°	21.7°	35.5°	35.5°		
12 μ m	6.5°	12.9°	13.5°	15.4°	25.5°	25.5°		

Optical

Focal Length	17mm
F/#	1.0
Wave length	8-14 μ m
Focus Range	10m-Infinity

Mechanical

Interface	Thread
Focus Mechanism	Fixed Athermalized
Dimensions (mm)	Ø37x 28.27
Weight	41g

Environmental

Sealing	IP 67
Operating Temperature	-40°C to +80°C
External Coating	AR