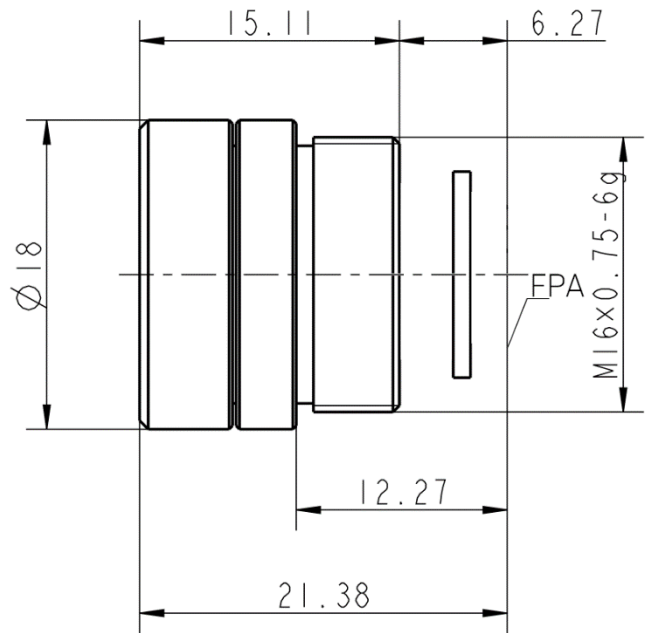


GLA10510ZSD 10.5mm f/1.0 Optical Athermalized Infrared Lens



HFOV	160x120	320x240	336x256	384x288	640x480	640x512	1024x768	1280x1024
25μm	21.6 °							
17μm	14.8 °	29.0 °	30.4 °	34.5 °				
12μm	10.4 °	20.7 °	21.7 °	24.8 °				

Optical

Focal Length	10.5mm
F/#	1.0
Detector	384x288, 17μm
Wave length	8-14μm

Mechanical

Interface	Thread
Focus Mechanism	Fixed Athermalized
Dimensions (mm)	Ø18x 21.38
Weight	10.5g

Environmental

Sealing	IP 67
Operating Temperature	-40°C to +80°C
External Coating	DLC