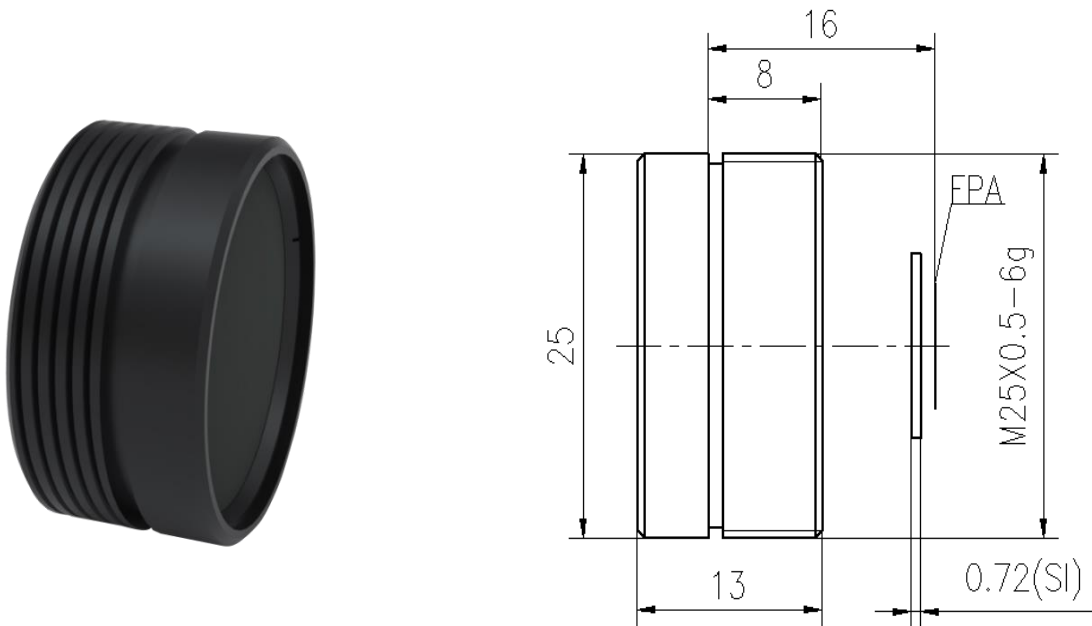


GLA07512SA 7.5mm f/1.2 Athermalized Lens



HFOV	160x120	320x240	336x256	384x288	640x480	640x512	1024x768	1280x1024
25μm	29.9 °							
17μm	20.6 °	39.9 °	41.7 °	47.0 °				
12μm	14.6 °	28.7 °	30.1 °	34.2 °				

Optical

Focal Length	7.5mm
F/#	1.2
Format	Ø8.2

Mechanical

Interface	Thread
Focus Mechanism	Fixed Athermalized
Dimensions (mm)	Ø25x 13
Weight	<16g

Environmental

Sealing	IP67
Operating Temperature	-40°C to +80°C
External Coating	AR