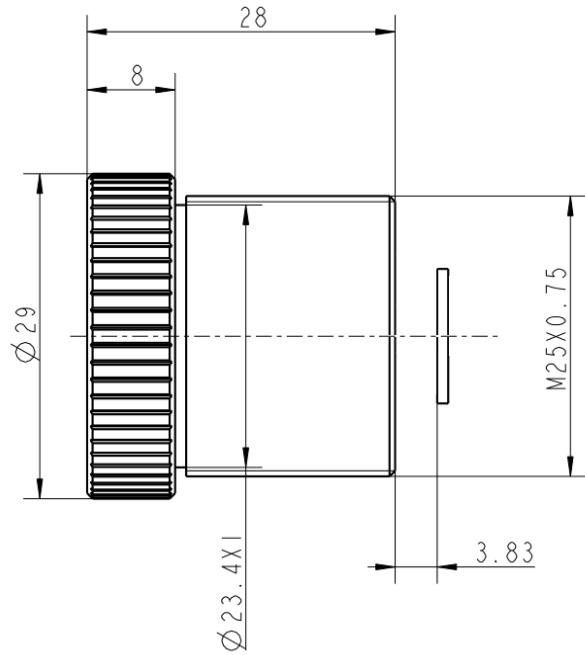


GLA07510ZSD 7.5mm f/1.0 Optical Athermalized Infrared Lens



HFOV	160x120	320x240	336x256	384x288	640x480	640x512	1024x768	1280x1024
25 μ m	29.9°							
17 μ m	20.6°	39.9°	41.7°	47.0°				
12 μ m	14.6°	28.7°	30.1°	34.2°				

Optica

Focal Length	7.5mm
F/#	1.0
Detector	384x288, 17 μ m
Wave length	8-12 μ m

Mechanical

Interface	Thread
Focus Mechanism	Fixed Athermalized
Dimensions (mm)	Ø29x 28
Weight	36g

Environmental

Sealing	IP 67
Operating Temperature	-40°C to +80°C
External Coating	DLC