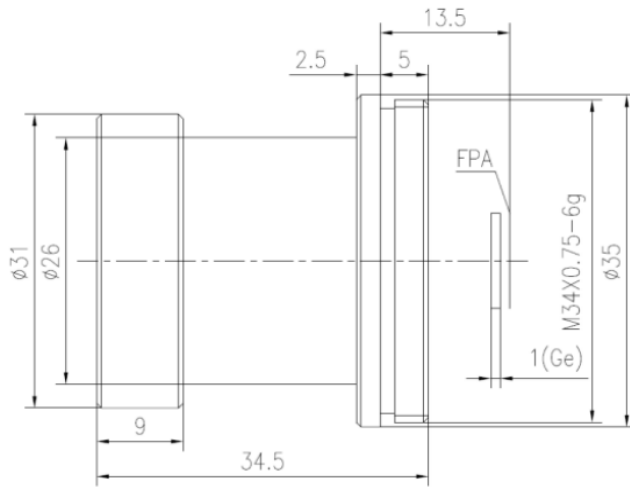


GLA05710SA 5.7mm f/1.0 Athermalized Lens



HFOV	160x120	320x240	336x256	384x288	640x480	640x512	1024x768	1280x1024
25μm	38.7 °							
17μm	26.8 °	51.0 °	53.2 °	59.6 °				
12μm	19.1 °	37.2 °	39.0 °	44.0 °				

Optical

Focal Length	5.7mm
F/#	1.0
Format	Ø8.2

Mechanical

Interface	Thread
Focus Mechanism	Fixed Athermalized
Dimensions (mm)	Ø31x 34.5
Weight	<55g

Environmental

Operating Temperature	-40°C to +80°C
Sealing	IP67
External Coating	AR