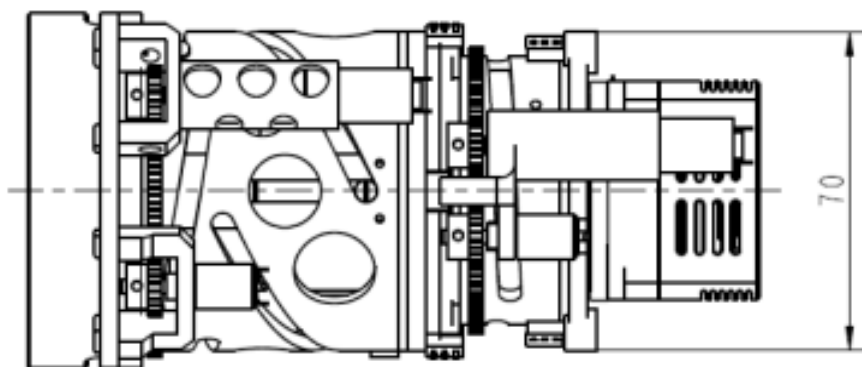
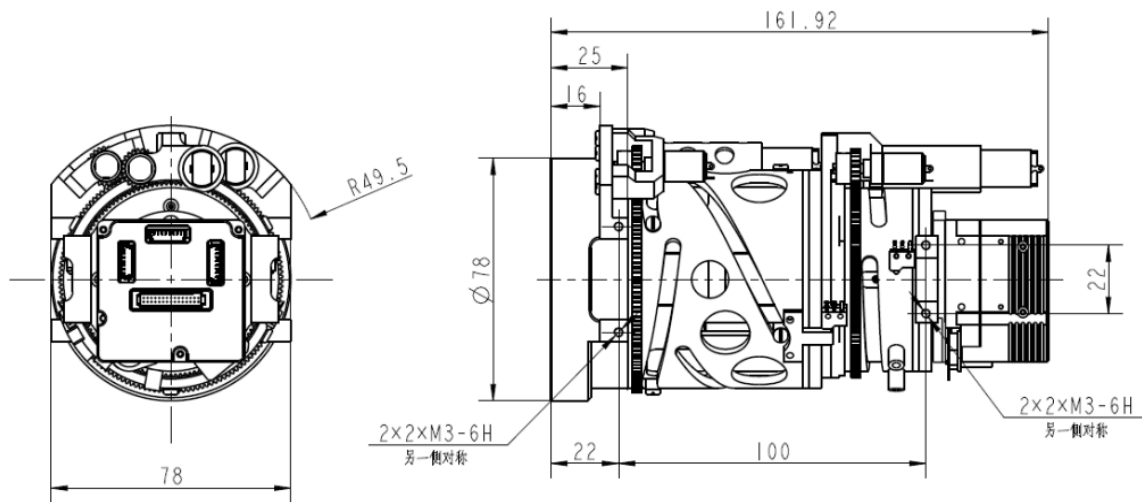


GCZ32512KD 25-75mm f/1.0-1.2 Continuous Zoom Infrared Lens



| HFOV | 160x120 | 320x240 | 336x256 | 384x288 | 640x480 | 640x512 | 1024x768 | 1280x1024 |
|------|-----------|------------|------------|------------|------------|------------|-------------|-----------|
| 14μm | 1.7°-5.1° | 3.4°-10.2° | 3.6°-10.7° | 4.1°-12.3° | 6.8°-20.3° | 6.8°-20.3° | 10.9°-32° | |
| 17μm | 2.1°-6.2° | 4.2°-12.4° | 4.4°-13° | 5°-14.9° | 8.3°-24.6° | 8.3°-24.6° | 13.2°-38.4° | |
| 12μm | 1.5°-4.4° | 2.9°-8.8° | 3.1°-9.2° | 3.5°-10.5° | 5.9°-17.5° | 5.9°-17.5° | 9.4°-27.6° | |

Optical

| | |
|------------------|---------------|
| Focal Length(mm) | 25-75 |
| F/# | 1.0-1.2 |
| Wavelength | 8-14μm |
| Focus Range | 10m-Infinity |
| Detector | 1024x768/14μm |

Mechanical

| | |
|-----------------|-------------|
| Interface | Flange |
| Focus Mechanism | Motorized |
| Dimensions (mm) | Ø78x 161.92 |
| Weight | 900g |

Electrical & Communications

| | |
|----------------|----------------|
| Power Input | DC 6-12V 0.15A |
| Communications | NA |

Environmental

| | |
|-----------------------|----------------|
| Operating Temperature | -40°C to +60°C |
| Storage Temperature | -50°C to +85°C |
| External Coating | DLC |
| Front Element Sealing | IP67 |