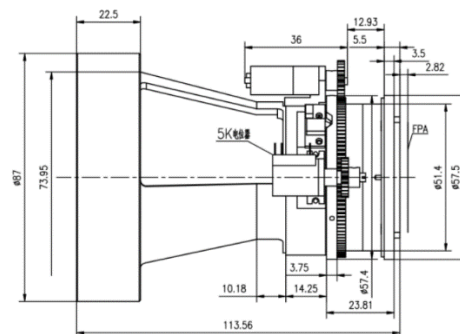
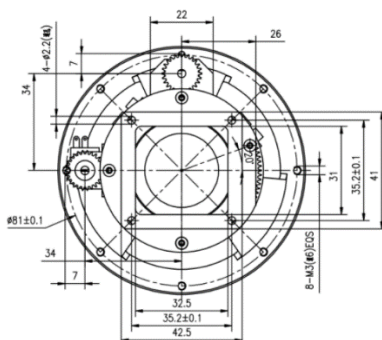


GLE7510U 75mm f/1.0 Motorized LWIR Lens



HFOV	160x120	320x240	336x256	384x288	640x480	640x512	1024x768	1280x1024
25μm	3.1°	6.1°	6.4°	7.3°				
17μm	2.1°	4.2°	4.4°	5.0°	8.3°	8.3°		
12μm	1.5°	2.9°	3.1°	3.5°	5.9°	5.9°		

Optical

Focal Length	75mm
F/#	1.0
Format	Ø12
Focus range	5m -Infinity
Detector	640X512/17μm 12μm

Mechanical

Interface	Flange
Focus Mechanism	Motorized
Dimensions(mm)	Ø87x113.56
Weight	≤402g

Electrical & Communications

Power Input	DC 12V 0.15A(Default Motor)
Communications	NA (Potentiometer/Encoder Optional)

Environmental

Operating Temperature	-40°C to +60°C (Depends on Motor)
Storage Temperature	-50°C to +80°C
External Coating	DLC/AR
Front Element Sealing	IP67