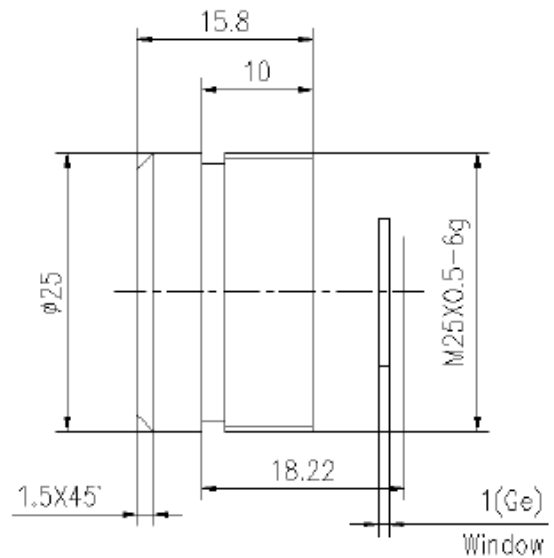


GLA12310A 12.3mm f/1.0 Optical Athermalized Infrared Lens



HFOV	160x120	320x240	336x256	384x288	640x480	640x512	1024x768	1280x1024
25μm	18.5 °	36.0 °	37.7 °	42.6 °				
20μm	14.8 °	29.2 °	30.6 °	34.7 °				
17μm	12.6 °	24.9 °	26.1 °	29.7 °				
12μm	8.9 °	17.7 °	18.6 °	21.2 °				

Optical

Focal Length	12.3mm
F/#	1.0
Format	Ø12

Mechanical

Interface	Thread
Focus Mechanism	Fixed Athermalized
Dimensions (mm)	Ø25x15.8
Weight	29.4g

Environmental

External Coating	AR
Operating Temperature	-40°C to +60°C
Storage Temperature	-50°C to +80°C
Sealing	IP67