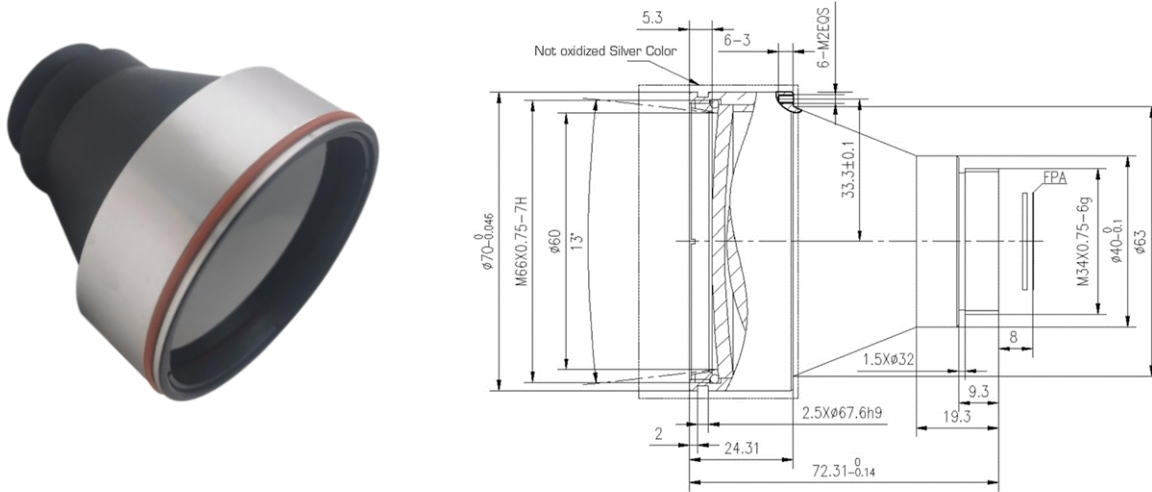


## GLA6010DB 60mm f/1.0 Optical Athermalized Infrared Lens



HFOV	160x120	320x240	336x256	384x288	640x480	640x512	1024x768	1280x1024
25μm	3.8°	7.6°	8.0°	9.1°				
17μm	2.6°	5.2°	5.5°	6.2°	10.4°	10.4°		
12μm	1.8°	3.7°	3.8°	4.4°	7.3°	7.3°		

### Optical

Focal Length	60mm
F/#	1.0
Average Transmission	≥87%(DLC)
Wave Length	8-12μm

### Mechanical

Interface	Thread
Focus Mechanism	Fixed Athermalized
Dimensions (mm)	Ø70 × 72.31
Weight	<285g

### Environmental

Sealing	IP 67
Operating Temperature	-40°C to +80°C
Storage Temperature	-50°C to +85°C
External Coating	DLC