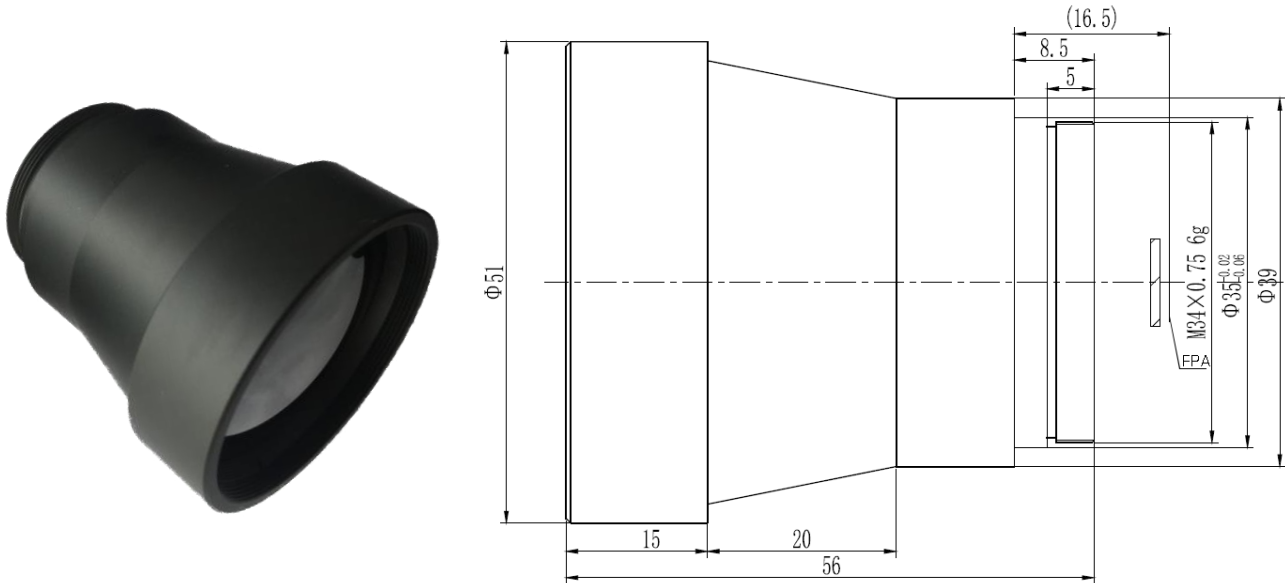


GLA4010YSD 40mm f/1.0 Optical Athermalized Infrared Lens



HFOV	160x120	320x240	336x256	384x288	640x480	640x512	1024x768	1280x1024
25 μ m	5.7°	11.4°	12.0°	13.7°				
17 μ m	3.9°	7.8°	8.2°	9.3°				
12 μ m	2.7°	5.5°	5.8°	6.6°				

Optical

Focal Length	40mm
F/#	1.0
Average Transmission	\geq 86%(DLC)
Wave length	8~12 μ m
Focus Range	1.5m~Infinity

Mechanical

Interface	Thread
Focus Mechanism	Fixed Athermalized
Dimensions (mm)	Ø51x 56
Weight	125.9g

Environmental

Sealing	IP 67
Operating Temperature	-40°C to +80°C
Storage Temperature	-50°C to +85°C
External Coating	DLC