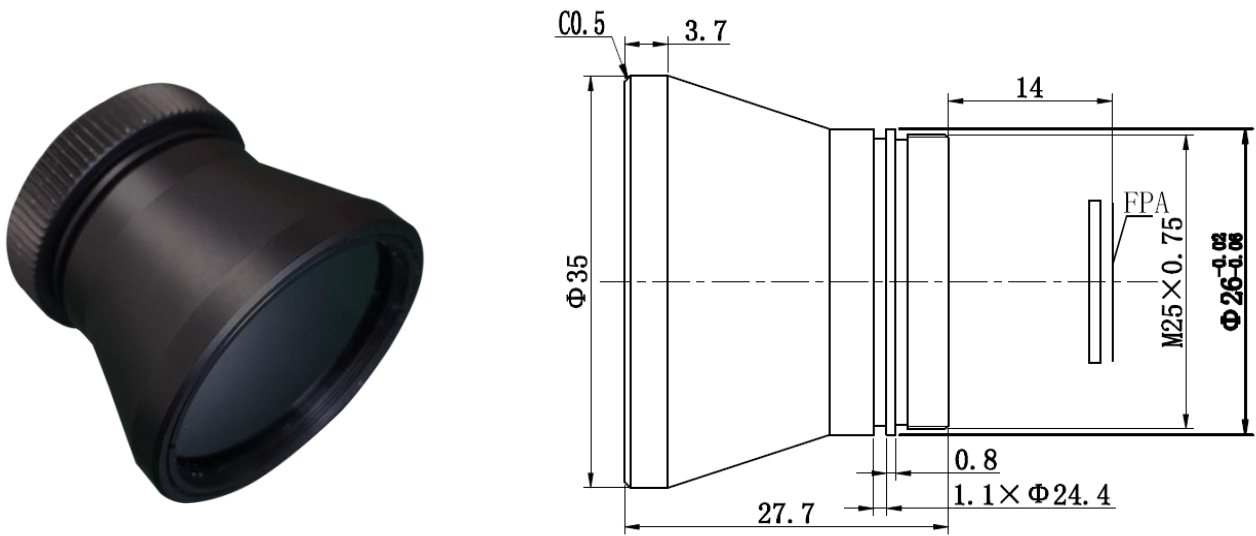


GLA2510YD 25mm f/1.0 Athermalized Lens



HFOV	160x120	320x240	336x256	384x288	640x480	640x512	1024x768	1280x1024
25 μ m	9.1°	18.2°	19.1°	21.7°				
17 μ m	6.2°	12.4°	13.0°	14.9°	24.6°	24.6°		
12 μ m	4.4°	8.8°	9.2°	10.5°	17.5°	17.5°		

Optical

Focal Length	25mm
F/#	1.0
Average Transmission	\geq 88%(DLC)
Wave length	8-12 μ m
Focus Range	1m -Infinity

Mechanical

Interface	Thread
Focus Mechanism	Fixed Athermalized
Dimensions (mm)	\varnothing 35x 27.7
Weight	32.7g

Environmental

Sealing	IP 67
Operating Temperature	-40°C to +80°C
Storage Temperature	-50°C to +85°C
External Coating	DLC