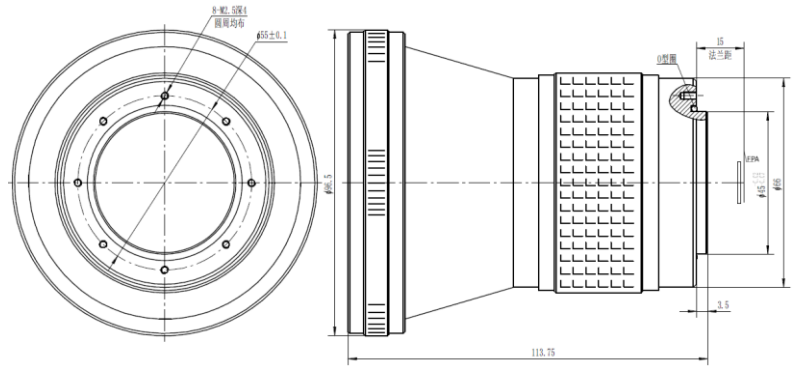


## GLM10012YD 100mm f/1.2 Manual Lens



| HFOV | 160x120 | 320x240 | 336x256 | 384x288 | 640x480 | 640x512 | 1024x768 | 1280x1024 |
|------|---------|---------|---------|---------|---------|---------|----------|-----------|
| 25μm | 2.3°    | 4.6°    | 4.8°    | 5.5°    |         |         |          |           |
| 17μm | 1.6°    | 3.1°    | 3.3°    | 3.7°    | 6.2°    | 6.2°    |          |           |
| 12μm | 1.1°    | 2.2°    | 2.3°    | 2.6°    | 4.4°    | 4.4°    |          |           |

### Optical

|                      |              |
|----------------------|--------------|
| Focal Length         | 100          |
| F/#                  | 1.2          |
| Average Transmission | 88%          |
| Focus Range          | 5m-Infinity  |
| Detector             | 640X480 17μm |

### Mechanical

|                 |                |
|-----------------|----------------|
| Interface       | 8X M2.5 Screws |
| Focus Mechanism | Manual         |
| Dimensions (mm) | Ø96.5 x 113.75 |
| Weight          | <590g          |

### Environmental

|                       |                |
|-----------------------|----------------|
| Operating Temperature | -40°C to +60°C |
| Storage Temperature   | -45°C to +70°C |
| External Coating      | DLC            |
| Front Element Sealing | IP67           |