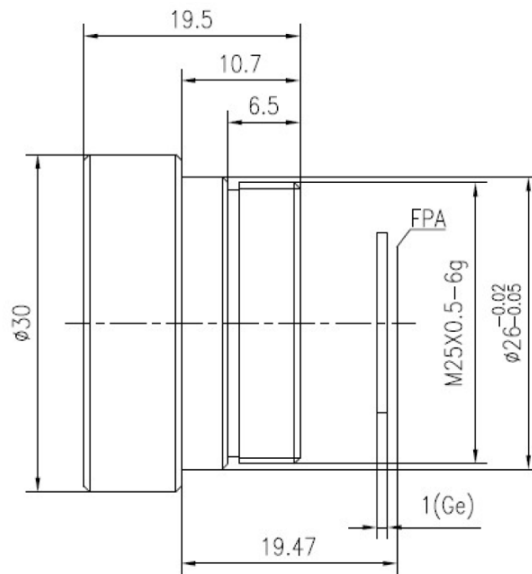


GLA1310 13mm f/1.0 Athermalized Lens



HFOV	160x120	320x240	336x256	384x288	640x480	640x512	1024x768	1280x1024
25 μ m	17.5°	34.2°	35.8°	40.5°				
17 μ m	11.9°	23.6°	24.8°	28.2°	45.4°	45.4°		
12 μ m	8.4°	16.8°	17.6°	20.1°	32.9°	32.9°		

Optical

Focal Length	13mm
F/#	1.0

Mechanical

Interface	Thread
Focus Mechanism	Fixed Athermalized
Dimensions (mm)	$\phi 30 \times 19.5$
Weight	30.5g

Electrical & Communications

Power Input	NA
Communications	NA

Environmental

Sealing	IP 67
Operating Temperature	-40°C to +60°C
Storage Temperature	-60°C to +110°C
External Coating	AR/DLC