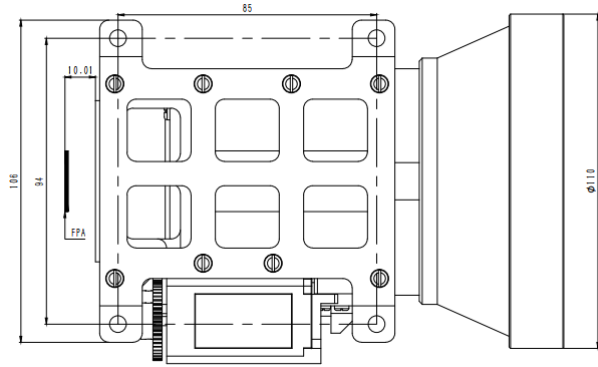
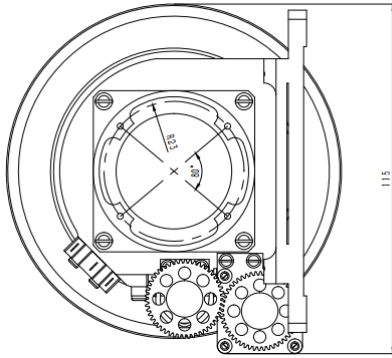
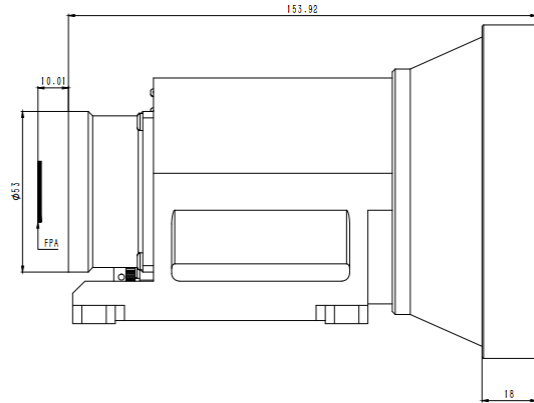


GLD40N120 40/120mm f1.2/0.9 2-FOV Infrared Lens



HFOV	160x120	320x240	336x256	384x288	640x480	640x512	1024x768	1280x1024
25μm	1.9°/5.7°	3.8°/11.4°	4°/12°	4.6°/13.7°				
17μm	1.3°/3.9°	2.6°/7.8°	2.7°/8.2°	3.1°/9.3°	5.2°/15.5°	5.2°/15.5°		
12μm	0.9°/2.7°	1.8°/5.5°	1.9°/5.8°	2.2°/6.6°	3.7°/11°	3.7°/11°		

Optical

Focal Length	40mm/120mm
F/#	0.9/1.2
Wave Length	8~14μm
Focus range	10m ~Infinity

Mechanical

Focus Mechanism	Motorized Dual Vision
Dimensions (mm)	φ110x153.92
Weight(kg)	1.41

Environmental

Operating Temperature	-40°C to +60°C
Storage Temperature	-50°C to +80°C
External Coating	DLC
Front Element Sealing	IP67