



# TOF-50 Navigation type Laser Radar



# Product parameters

Item category	2D TOF navigation type and obstacle avoidance type
Product code	XD-TOF-50
Measuring range	0. 1-50M
Application scenario	Outdoor
Scanning angle range	270°
Scan frame rate	25Hz/ 50Hz
System error	12-30mm
Persistent error	8-24mm
Minimum angle resolution	0. 5 °/ 0. 25 °
Power supply potential difference	DC12V-30V
Start Time	≤ 20ms
Range of working temperature	-30 °C — +50 °C
Laser light source	905nm class I
Power	2. 5W
Status Indicator	Power indicator/Status indicator
Output resolution	1. 0m m
Anti-ambient light	<80000Lux
Power consumption (heating module off)	<8. 4W
Heating module power supply voltage	24V ± 20%
Heating module power consumption	<50W
Protection class	IP67
Editable warning area	10
Output port	Ethernet output, three digital outputs, barrier-free compatible with Sxxx LMS141/1ms111
Red alert area	4

# Product Features



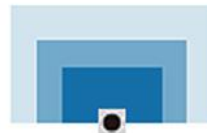
**50 meters away**  
0.50° angular resolution  
270° scanning angle



**Multi-region monitoring**  
quadrilateral  
Three independent signal outputs



**Four external interfaces**  
Working voltage power consumption  
DC 12-30V  
□ 8.4W/≤ 50W



**10 programmable police zones**  
Convex polygon, three signal outputs



**Automatic learning**  
Support self-learning background tailoring  
Monitor profile



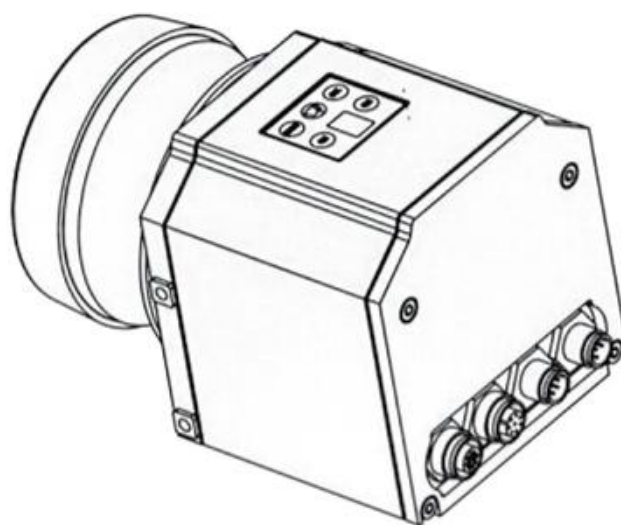
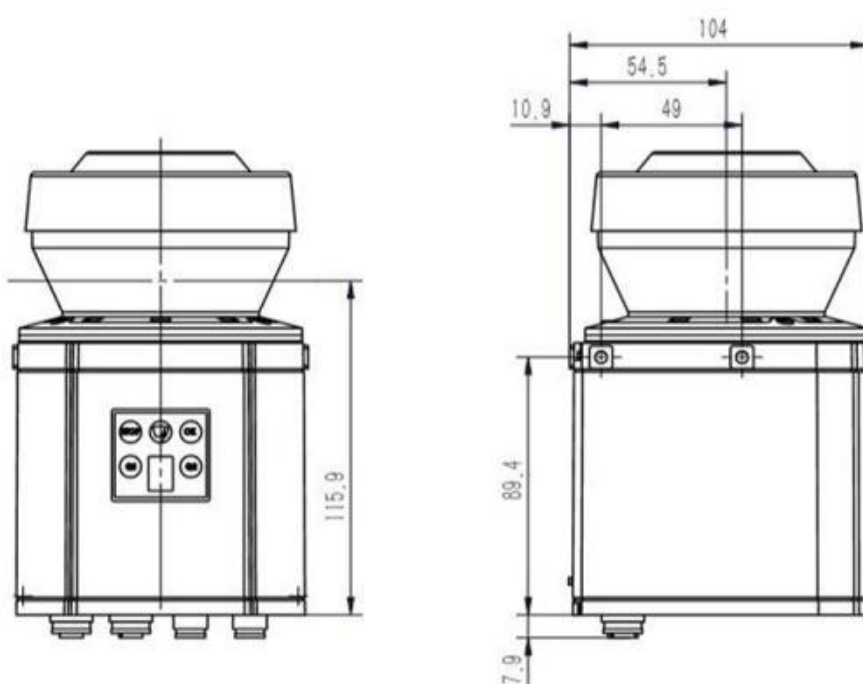
**IP65**  
Dustproof and waterproof  
With heating function  
With fog correction  
Applicable in harsh industrial environments

# Software diagram

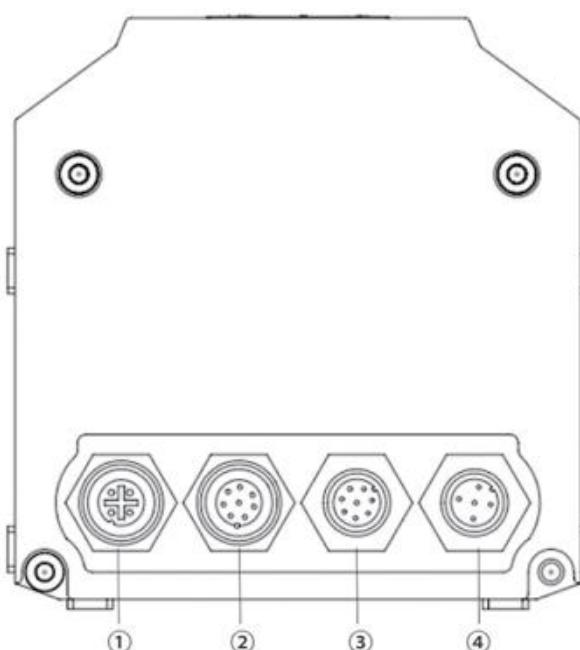
The screenshot shows a software interface with the following sections:

- 连接状态 (Connection Status):** 2019-09-25 09:52:49, Sensing the world Leading the change
- TCP:** Module IP: 192.168.1.121, Port: 2111, Interval: 200, Send/Receive Command: Connect, Send, Clear
- Scan Configuring:** Frequency: 25Hz, 0.25°, 0.5°
- Output Configuring:** Start Angle: -45, Stop Angle: 225, Set
- Setting State:** 设置状态, Log Open, Log
- IP/Mask/GateWay Settings:** IP: 192.168.1.121, Subnet Mask: 255.255.255.0, GateWay: 192.168.1.1, Set
- AlarmField:** Field No. Field 1
- Point 1-4:** Each point has fields for  $\beta(^{\circ})$  and d(mm), with a Set button.
- Sent Data/Analysis Data:** Empty text area.
- Command Select:** Radio buttons for <STX>RN LMDscandata<ETX> (selected) and <STX>MN(SFC) SetAccessMode(SF)
- Permanent Mode:** Start, Stop buttons
- Data analysis:** analysis/Ox, decimal/10, Index checkboxes
- Output Range:** Hz, Res, Start, Stop input fields
- Monitor\_GDI+:** GDI+ checkbox
- DeviceStatus:** Empty field
- Special Configuring:** Parameter, Communication buttons
- Data Record:** File I/O, Database buttons
- Operating:** Operating button
- Device type:** SerialNo, Data count, package count, Measurement frequency, Read Bytes
- LocalName:** auling, LocalIP: 192.168.1.2, Scanfrequency, Time since start up, Time of transmission

# Product Size

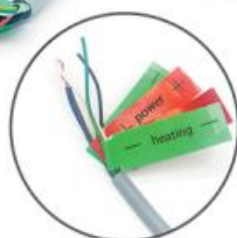


# Power accessories

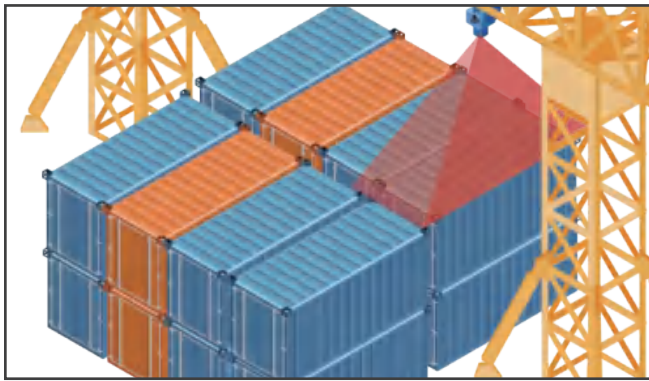


Device external interface

- ① Network interface
- ② I/O interface
- ③ Data interface
- ④ Power interface



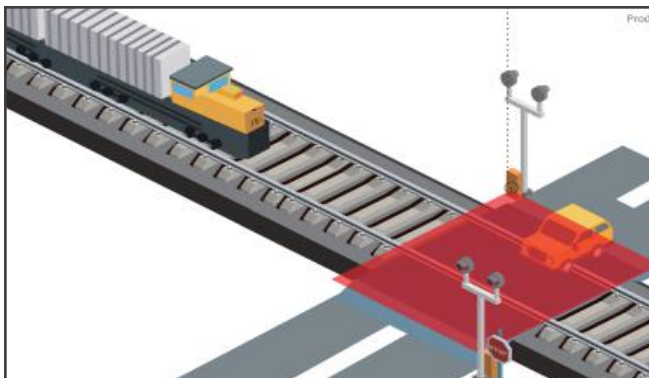
# Application field



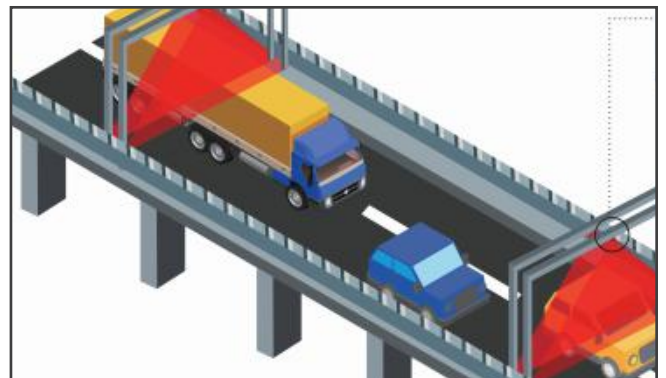
**Shore crane container positioning**



**Pilot assistance on aircraft tractors**



**Railway obstacle detection**



**Vehicle overrun detection**

# 科技，绘见未来

TECHNOLOGY, SEE THE FUTURE

-  Company address: Room 301-260, Building 6, No. 18, Kelin Road, Tianhe District, Guangzhou
-  Sales Hotline: +86 18922155361 +86 13713346108
-  Email:sales1@cyndar.net
-  Chinese website:www.gzcyndar.cn  
English website: www.gzcyndar.com