



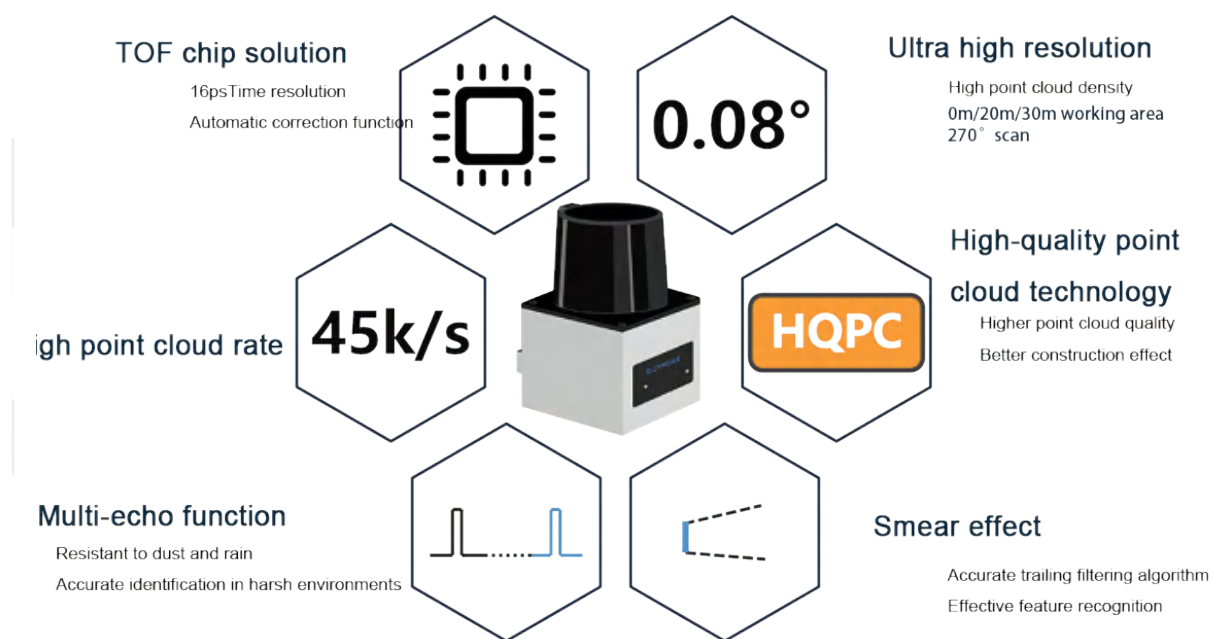
TOF-20H Navigation type Laser Radar



Product Brief

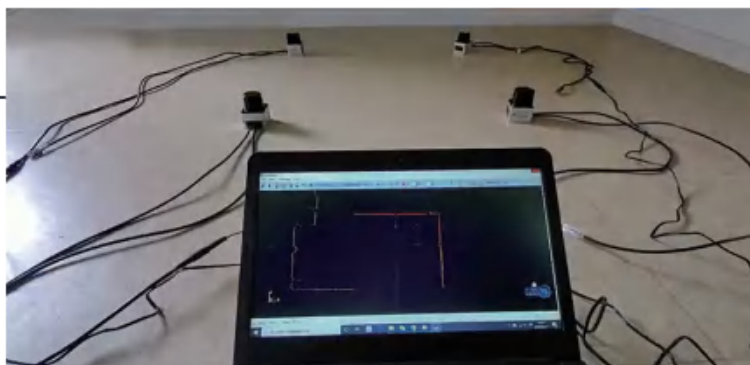
XD-TOF-20H navigation type laser radar
20H series two-dimensional TOF navigation type laser radar. 20 meters monitoring, 270° scanning angle. One-piece rotating design, super long service life, multiple installation methods and abundant accessories, easy to use, convenient for secondary development by users.

Product Features



Multiple radars launching interference

Our laser scanner has the function of preventing the opposite emission, even if multiple units are used, it will not affect



Product parameters

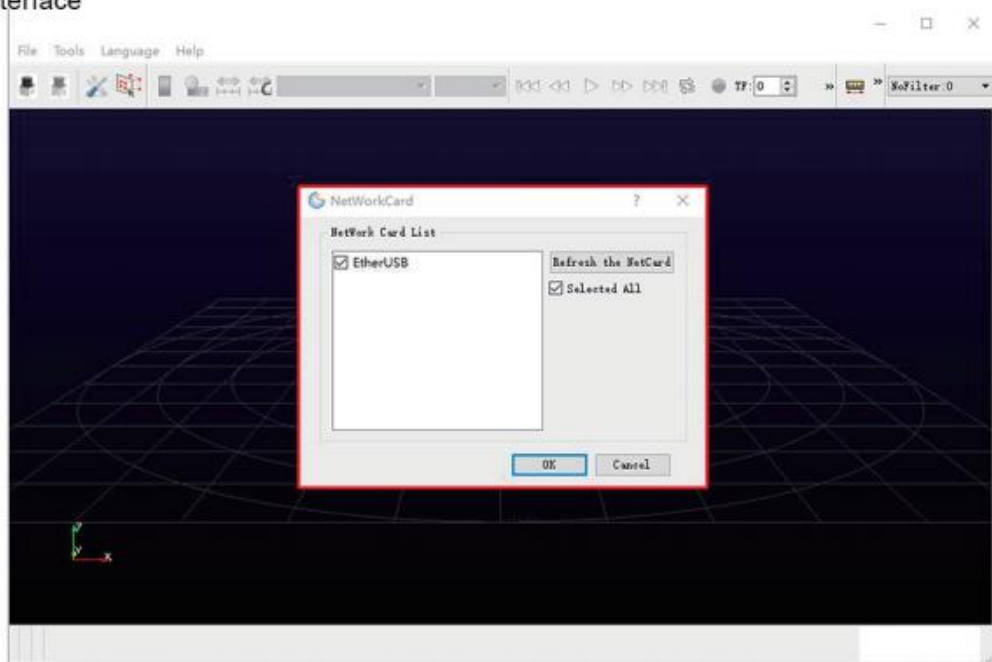
Basic Information	
Product name	2D TOF Navigation Lidar XD
Product number	XD-TOF-20H
Measurement characteristics	
Detection range	0.1-20M@90% reflectivity 0.1-8M@10% reflectivity
Ranging accuracy	±30 mm
Scan range	270°
Point cloud data merge	1/2/4/8 point
Scan frame rate	10-30 Hz
Minimum angular resolution	0.08°
Photoelectric characteristics	
voltage	DC12 V-24 V
Working current	0.21 A/12 V (typical)
Laser light source	905 nm class I
Power consumption	2.5 W
Other	
Data transmission interface	Ethernet 100BASE-TX
Start Time	< 10 s
Indicator light	Power indicator/Status indicator
Ambient light	< 50,000Lux
Operating temperature	-10°C~55°C
Storage temperature	-30°C~75°C
Humidity	< 80%
life span	5 years (motor life)
Vibration test	10-55Hz, amplitude 0.75mm, XYZ triaxial, 2 hours per axis; 50-200Hz, 196m/s ² (20G), sweep rate 2min/cycle, XYZ triaxial, 2 hours per axis
Protection class	IP65
Product Size	50 ×50 ×76 mm ³
Weight	148 g (Without cable)

Software diagram

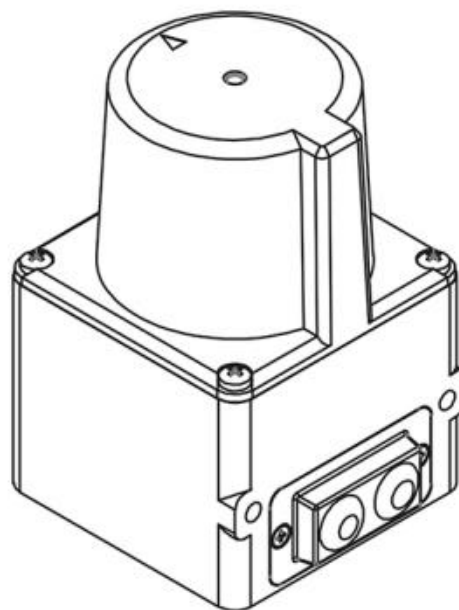
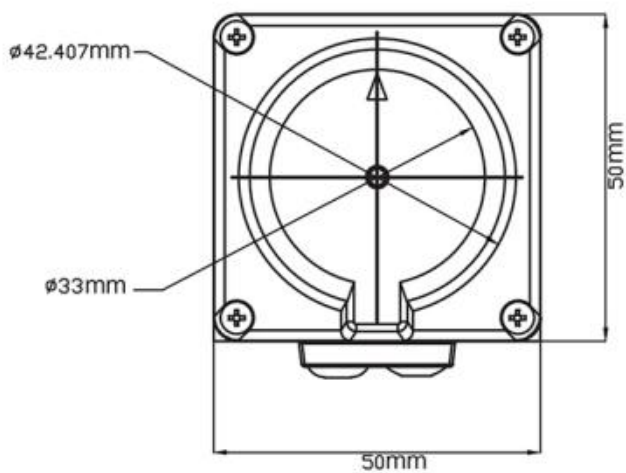
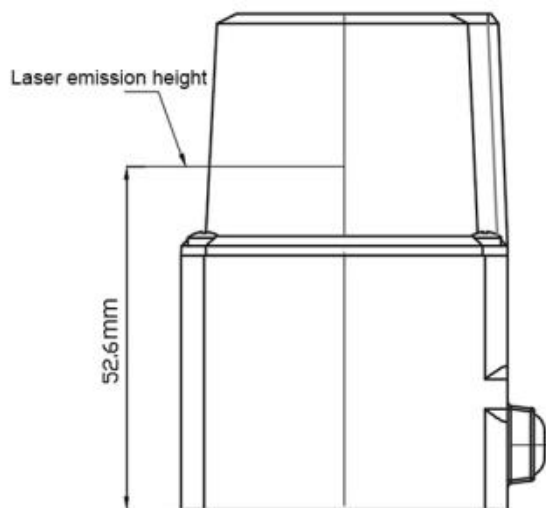
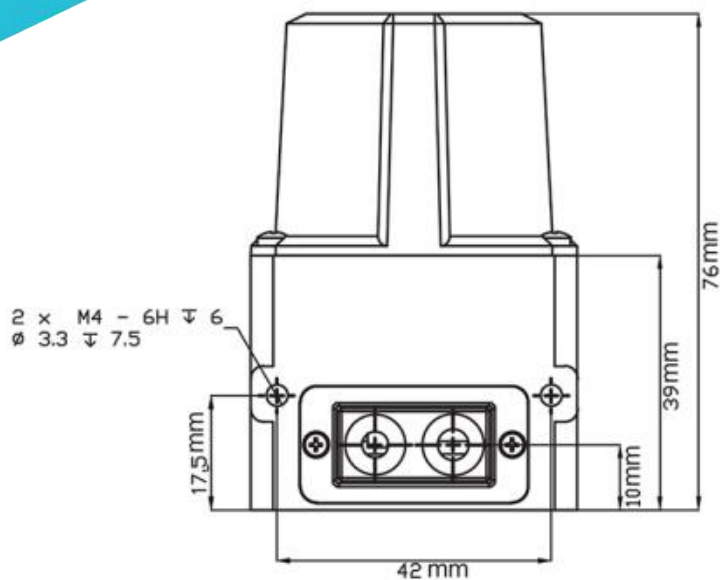
Example of a point cloud



software interface



Product Size



Power accessories

Power plug



Power connector

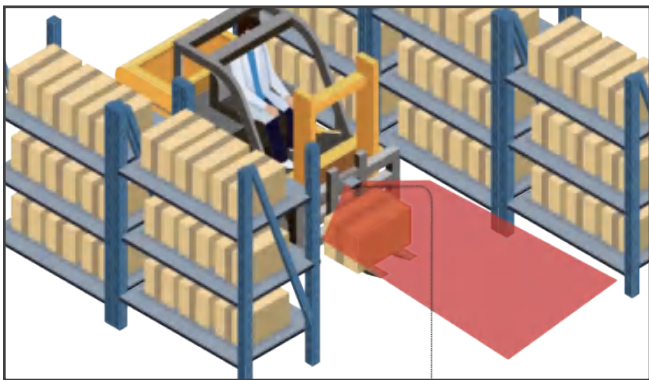


network port line

power cord



Application field



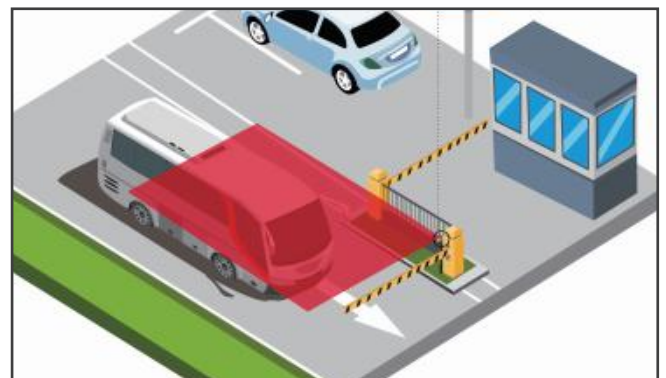
Protect people in narrow aisle warehouses



Boarding bridge anti-collision system




Liquid level detection





Classify vehicles

科技，绘见未来

TECHNOLOGY, SEE THE FUTURE

 Company address: Room 301-260, Building 6, No. 18,
Kelin Road, Tianhe District, Guangzhou

 Sales Hotline: +86 18922155361 +86 13713346108

 Email:sale1@cyndar.net

 Chinese website:www.gzcyndar.cn

English website: www.cyndar.net