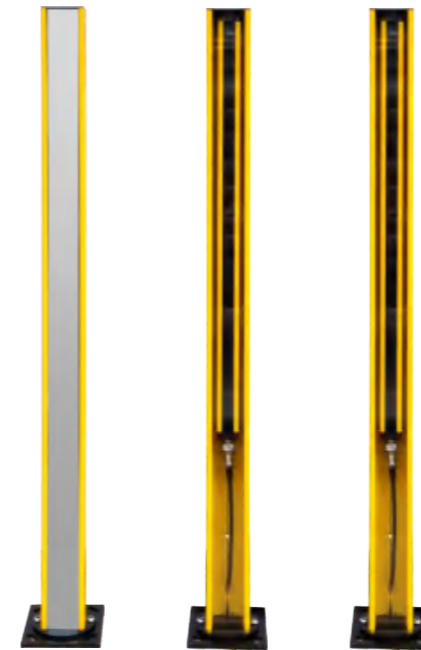


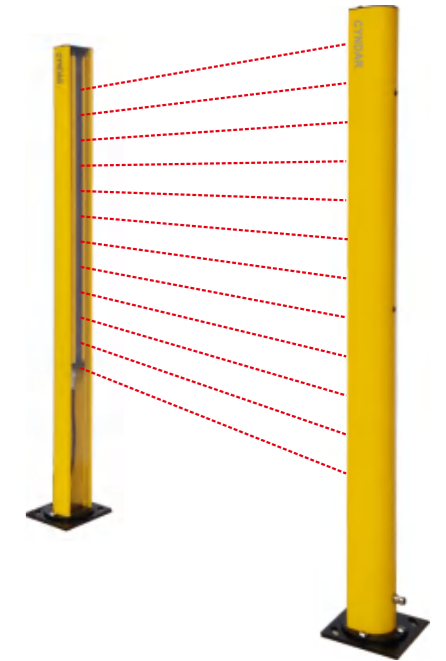
QSAT系列区域安全防护光幕
QSAT Series Area Safety Protection Light Curtain



内置控制器QSN
(可选配)
Built-in controller QSN (optional)



安全继电器模块QSRN
(可选配)
Safety relay module QSRN (optional)



单面长距离安全防护
One-sided Long-distance Safety Protection

QSAT系列光电保护装置是利用反射镜，改变光线的传输方向，形成2面或3面的保护区域

光幕形式：区域防护

光轴间距：40mm、80mm

保护距离：2面≤20000mm，3面≤15000mm

保护高度：120~1240mm为常规产品

QSAT series optoelectronic protective devices use mirrors to change the direction of light transmission and form two or three-sided protected areas.

Light curtain form: regional protection

Optical Axis Spacing: 40mm, 80mm

Protective distance: 2 planes≤20000mm, 3 planes≤15000mm

Protective Height: 120~1240mm for Conventional Products



外置控制器QSW (可选配)
External Controller QSW

产品组成：

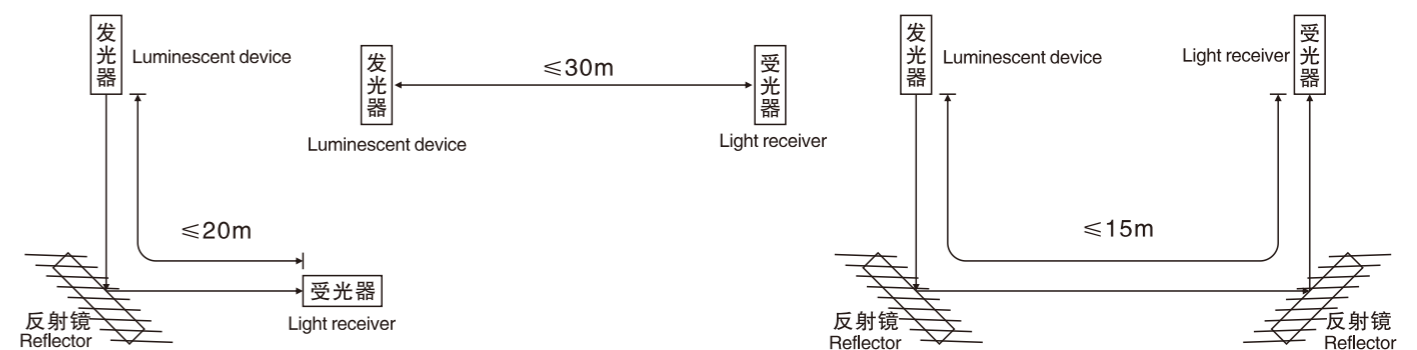
2面保护：发光器1支，反射镜1支，受光器1支，控制器1只，信号电缆2根，安装附件1套。

3面保护：发光器1支，反射镜2支，受光器1支，控制器1只，信号电缆2根，安装附件1套。

Product composition:

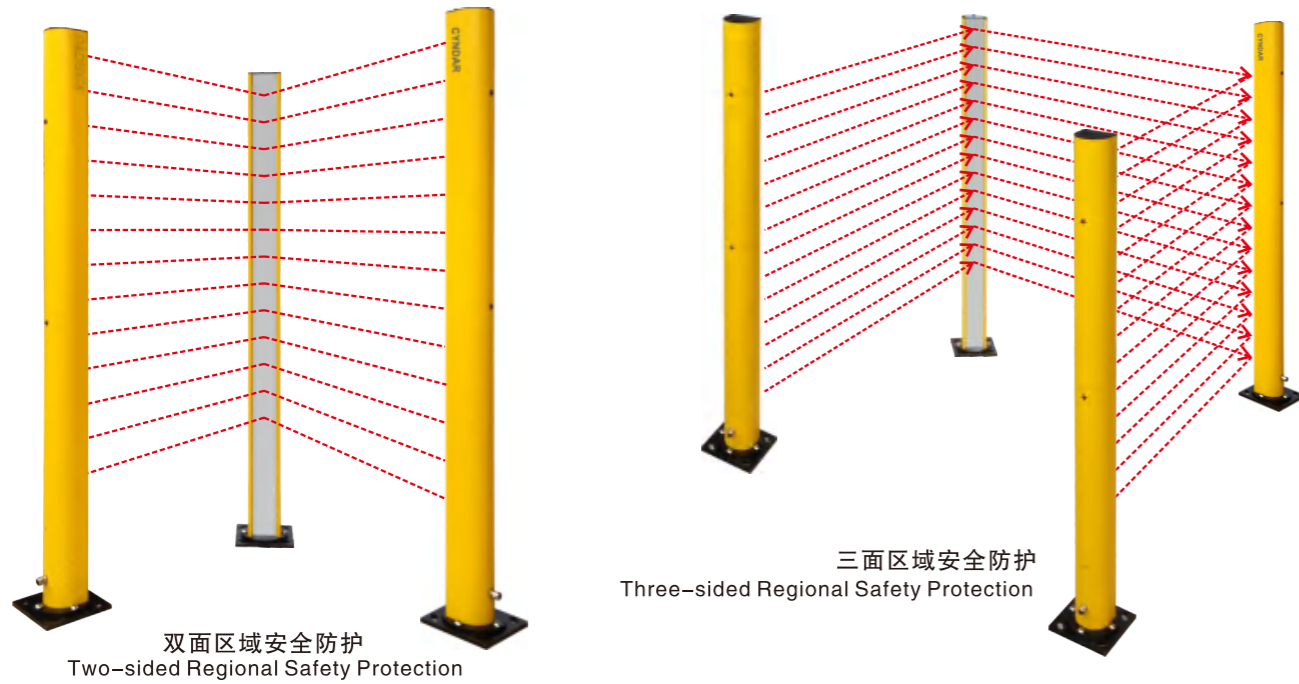
2-side protection: 1 light-emitting device, 1 reflector, 1 light-receiving device, 1 controller, 2 signal cables and 1 set of accessories.

3-sided protection: 1 light-emitting device, 2 mirrors, 1 light-receiving device, 1 controller, 2 signal cables and 1 set of accessories.



QSAT Specification Selection Table





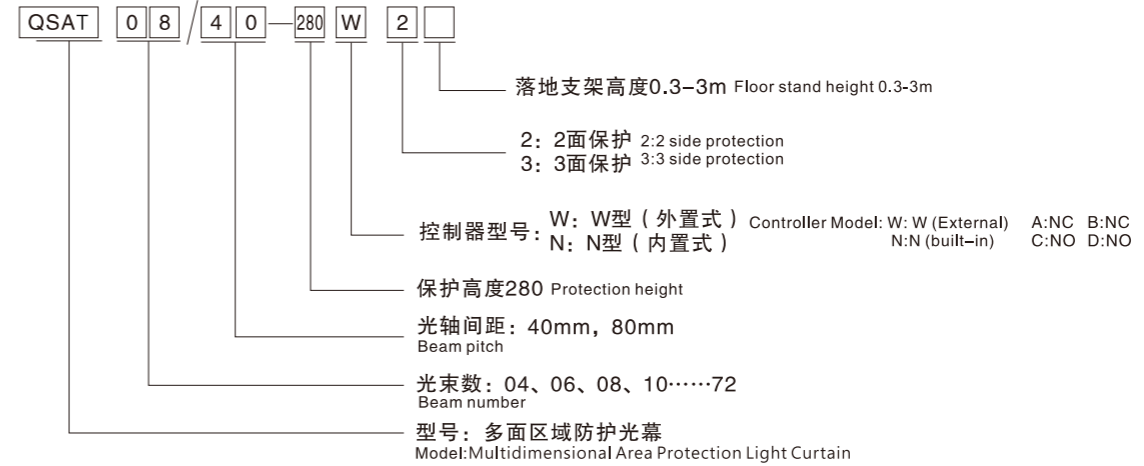
◆ 应用领域 Application area

- 转塔冲床
 - 装配站
 - 物流处理区域
 - 包装设备
 - 码堆机
 - 自动生产设备
 - 机器人工作区域
 - 其他危险区域周边防护
- Turret punch press Assembly station Logistics processing area Packaging equipment
Code stacking machine Automatic production equipment Robot working area Peripheral protection of other dangerous areas

◆ 产品特点 Product characteristics

- ★ 自检功能完善：当安全传感器出现故障时，确保不向所控制的电器发送错误的信号；
 - ★ 抗干扰能力强：系统对电磁信号，频闪灯光，焊接弧光及周围的光源具有良好的抗干扰能力；
 - ★ 安装调试方便，配线简单，外形美观；
 - ★ 采用表面贴装技术，防震性能优越；
 - ★ 符合国际电工学会IEC61496-1/2标准安全等级，TUV的CE认证；
 - ★ 响应时间短（≤15ms），安全可靠性能高；
 - ★ 结构简单，接线方便，安全传感器可以通过航空插座与电缆线(M12)链接；
 - ★ 所有电子元器件均采用全球知名品牌配件。
 - ★ 可提供双路NPN或PNP输出，此时用户应保证机械设备的后续控制电路安全可靠。
- Perfect self-check function: When the safety screen protector fails, ensure that the wrong signal is not sent to the controlled electrical appliances.
- Strong anti-interference ability: The system has good anti-interference ability to electromagnetic signal, stroboscopic light, welding arc and surrounding light source;
- Easy installation and debugging, simple wiring, beautiful appearance;
- Surface mounting technology is adopted, which has superior seismic performance.
- It conforms to IEC61496-1/2 standard safety grade and TUV CE certification.
- The corresponding time is short (≤15ms), and the safety and reliability performance is high.
- The safety sensor can be connected to the cable line (M12) through an aviation socket, because of its simple structure and convenient wiring.
- All electronic components adopt world-renowned brand accessories.
- Double NPN or PNP output can be provided. At this time, users should ensure that the follow-up control circuit of mechanical equipment is safe and reliable.

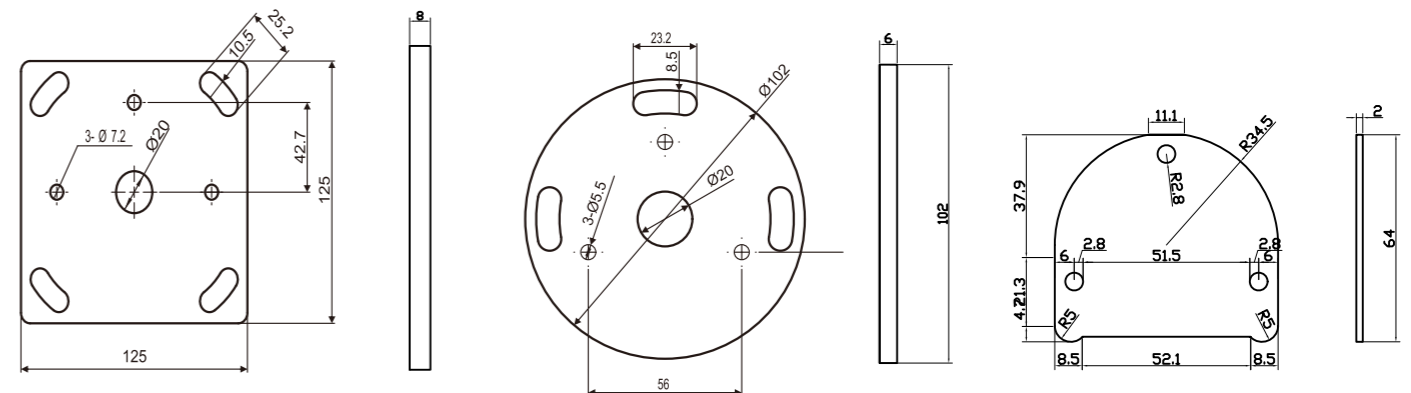
◆ 规格表说明 Specification



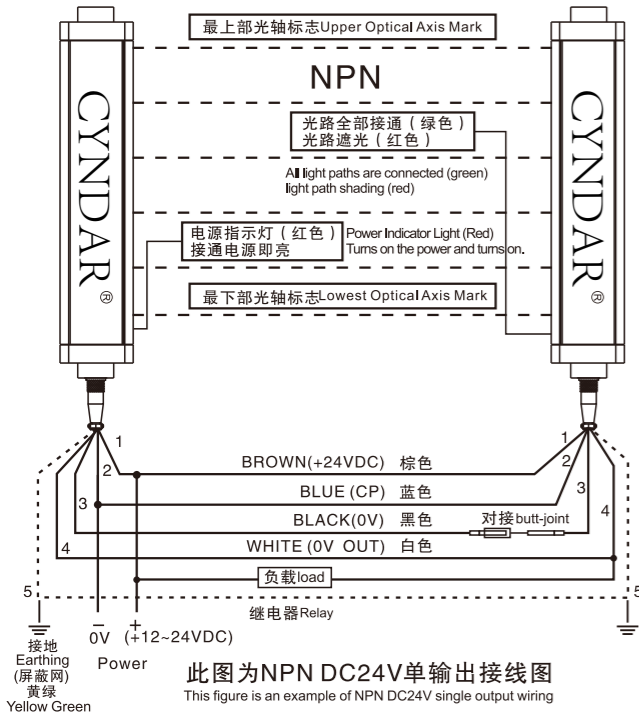
◆ 产品技术参数 Technical parameters of products

工作电源 Working power supply	AC220V/110V ± % 50/60Hz 或DC24V
输出触点容量 Output Contact Capacity	AC250V5A
功耗Power waste	≤15W
适用温度Applicable temperature	-10℃~50℃
环境温度 Ambient temperature	20℃, RH≤85%
响应时间 Response Time	<15ms (含控制器 Containing controller)
绝缘电阻 Insulation Resistance	>100MΩ
介电强度 Dielectric strength	AC150V, 60s
抗光干扰 Anti light interference	10000Lux(入射角 Incidence angle ≥5°)
继电器寿命 Relay life	≥100万次(可更换) 1 million times (replaceable)
保护高度 Height of protection	H=光轴间距 Beam pitch X (光束数 Beam number - 1)
光轴间距 Beam pitch	40mm, 80mm
保护距离 Protection distance	2面 sides ≤20000mm, 3面 sides ≤15000mm

◆ 外型尺寸 Outline size

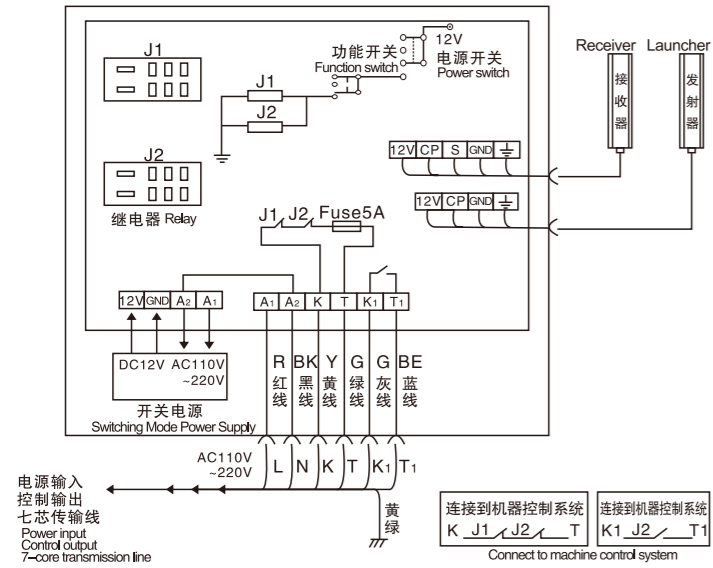


◆ 接线图 Wiring diagram



◆ 规格一览表 List of specifications

光轴间距 Beam pitch	光束高度 Light beam	有效保护高度 mm(H) Effective protection height	光幕高度 mm(A) Screen height	产品型号 Product model	反射镜高度 mm (J) Reflector Height
40 mm (k)	4	120	201	QSAT04/40-120	351
	6	200	281	QSAT06/40-200	431
	8	280	361	QSAT08/40-280	511
	10	360	441	QSAT10/40-360	591
	12	440	521	QSAT12/40-440	671
	14	520	601	QSAT14/40-520	751
	16	600	681	QSAT16/40-600	831
	18	680	761	QSAT18/40-680	911
	20	760	841	QSAT20/40-760	991
	22	840	921	QSAT22/40-840	1071
	24	920	1001	QSAT24/40-920	1151
	26	1000	1081	QSAT26/40-1000	1231
28	1080	1161	QSAT28/40-1080	1311	
30	1160	1241	QSAT30/40-1160	1391	
32	1240	1321	QSAT32/40-1240	1471	
80 mm (k)	4	240	341	QSAT04/80-240	491
	6	400	501	QSAT06/80-400	651
	8	560	661	QSAT08/80-560	811
	10	720	821	QSAT10/80-720	971
	12	880	981	QSAT12/80-880	1131
	14	1040	1141	QSAT14/80-1040	1291
	16	1200	1301	QSAT16/80-1200	1451
	18	1360	1461	QSAT18/80-1360	1611
	20	1520	1621	QSAT20/80-1520	1771
	22	1680	1781	QSAT22/80-1680	1931
	24	1840	1941	QSAT24/80-1840	2091
	26	2000	2101	QSAT26/80-2000	2251
28	2160	2261	QSAT28/80-2160	2411	
30	2320	2421	QSAT30/80-2320	2571	
32	2480	2581	QSAT32/80-2480	2731	



备注：需要其他规格配落地支架可以参照各系列规格表
Note: If other specifications are needed, the ground support can be referred to the specifications of each series.

科技，绘见未来
TECHNOLOGY, SEE THE FUTURE