

## Xmas 100ml



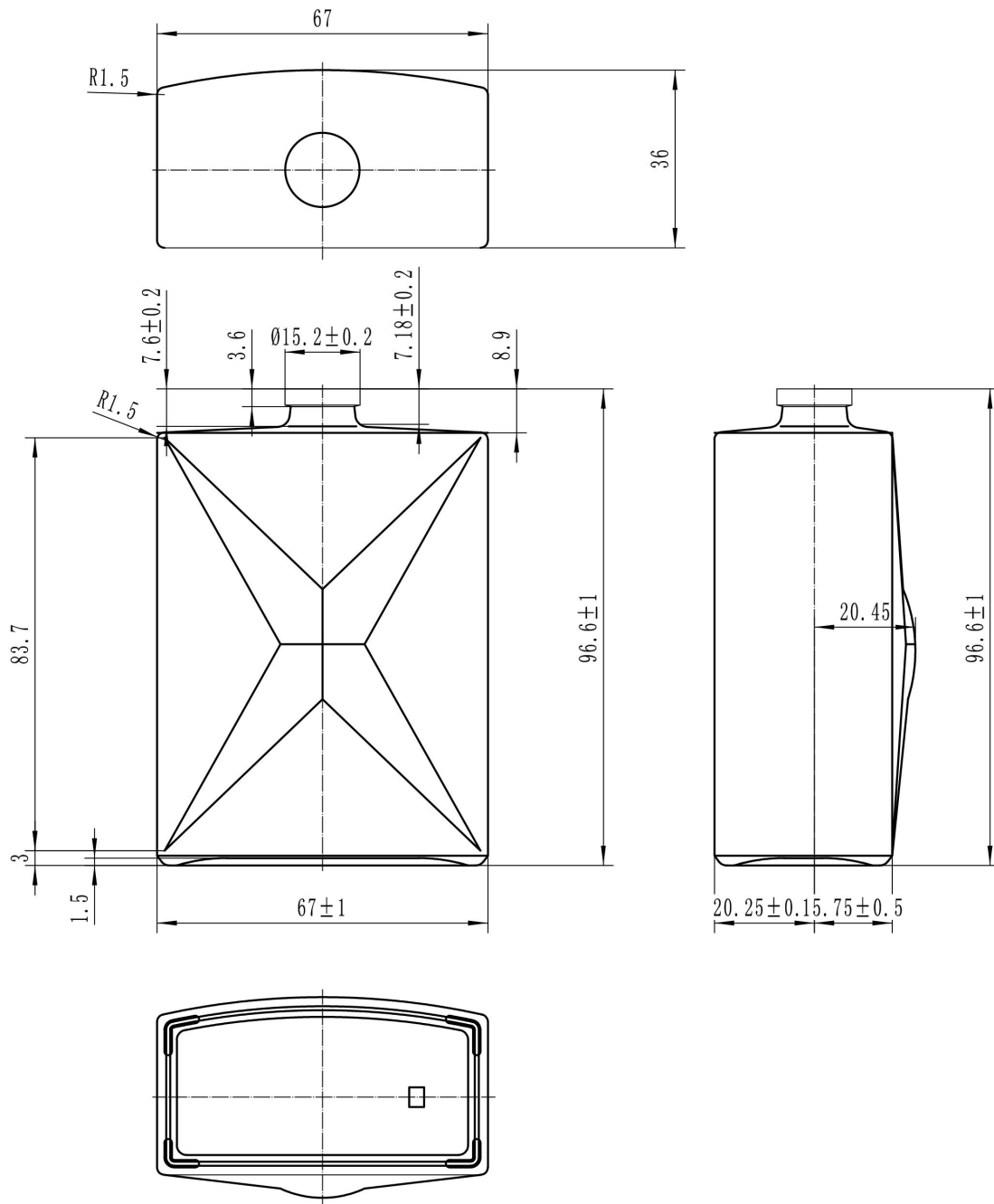
Brimful Capacity **106 ± 2 ml**

Net Weight **262 ± 5 g**

Dimensions **L67 x W40.7 x H96.6 mm**

Neck Finish **FEA15**

# Xmas 100ml



With integrated service of design, customization, wholesale, contract manufacturing, decoration, GP Bottles is providing bespoke perfume bottle packaging solutions for niche perfume brand.