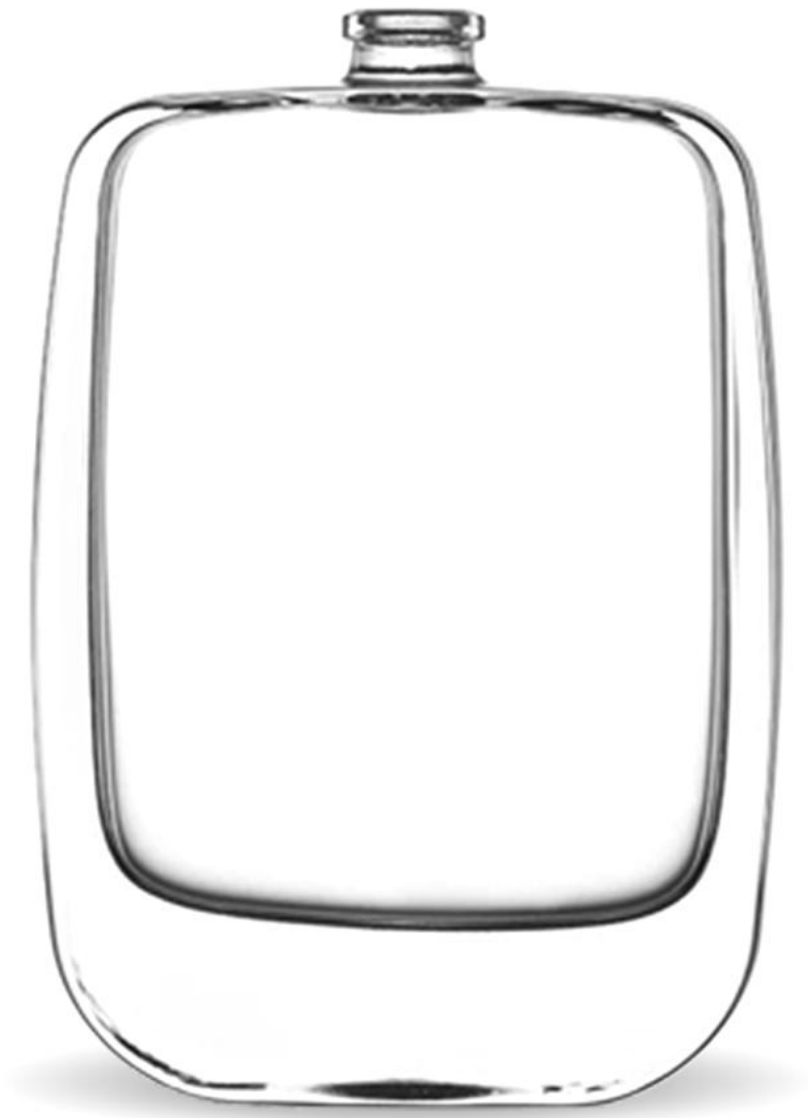


Trek 100ml



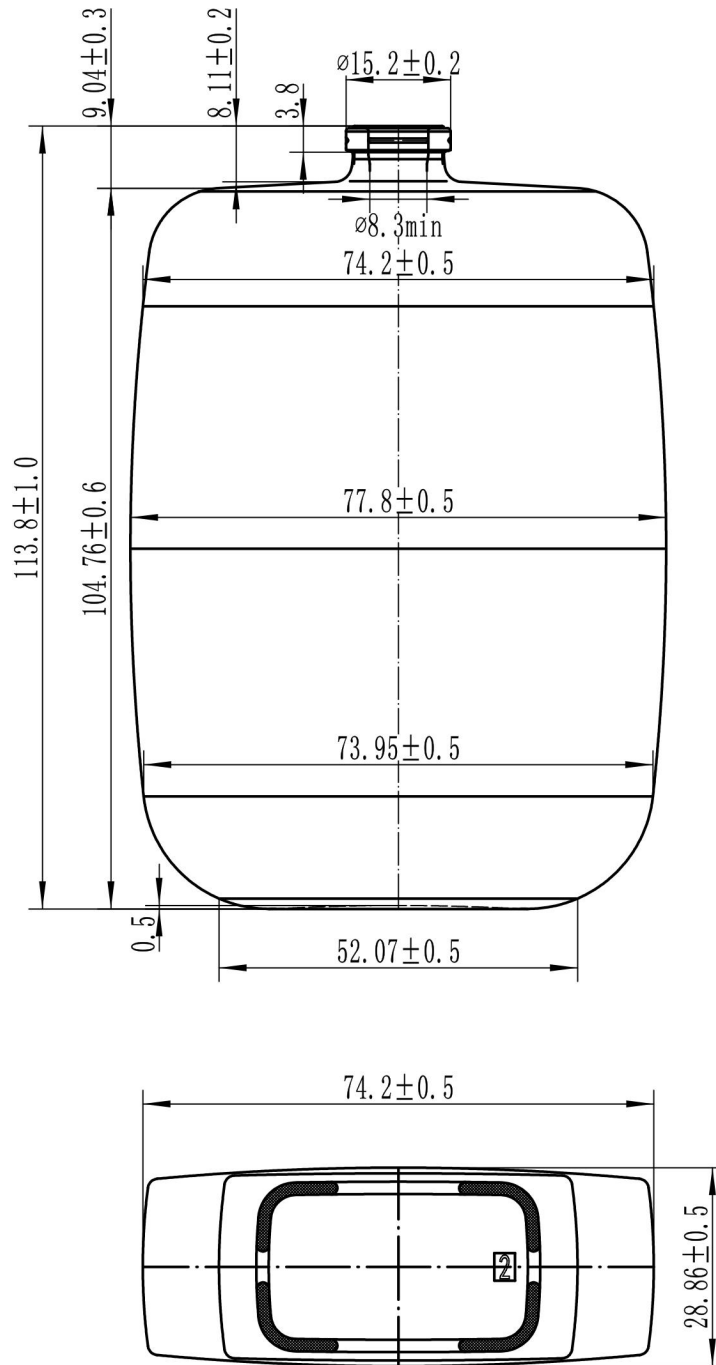
Brimful Capacity **115 ± 2 ml**

Net Weight **250 ± 5 g**

Dimensions **L77.8 x W30.7 x H113.8 mm**

Neck Finish **FEA15**

Trek 100ml



With integrated service of design, customization, wholesale, contract manufacturing, decoration, GP Bottles is providing bespoke perfume bottle packaging solutions for niche perfume brand.