

Rambo 90ml



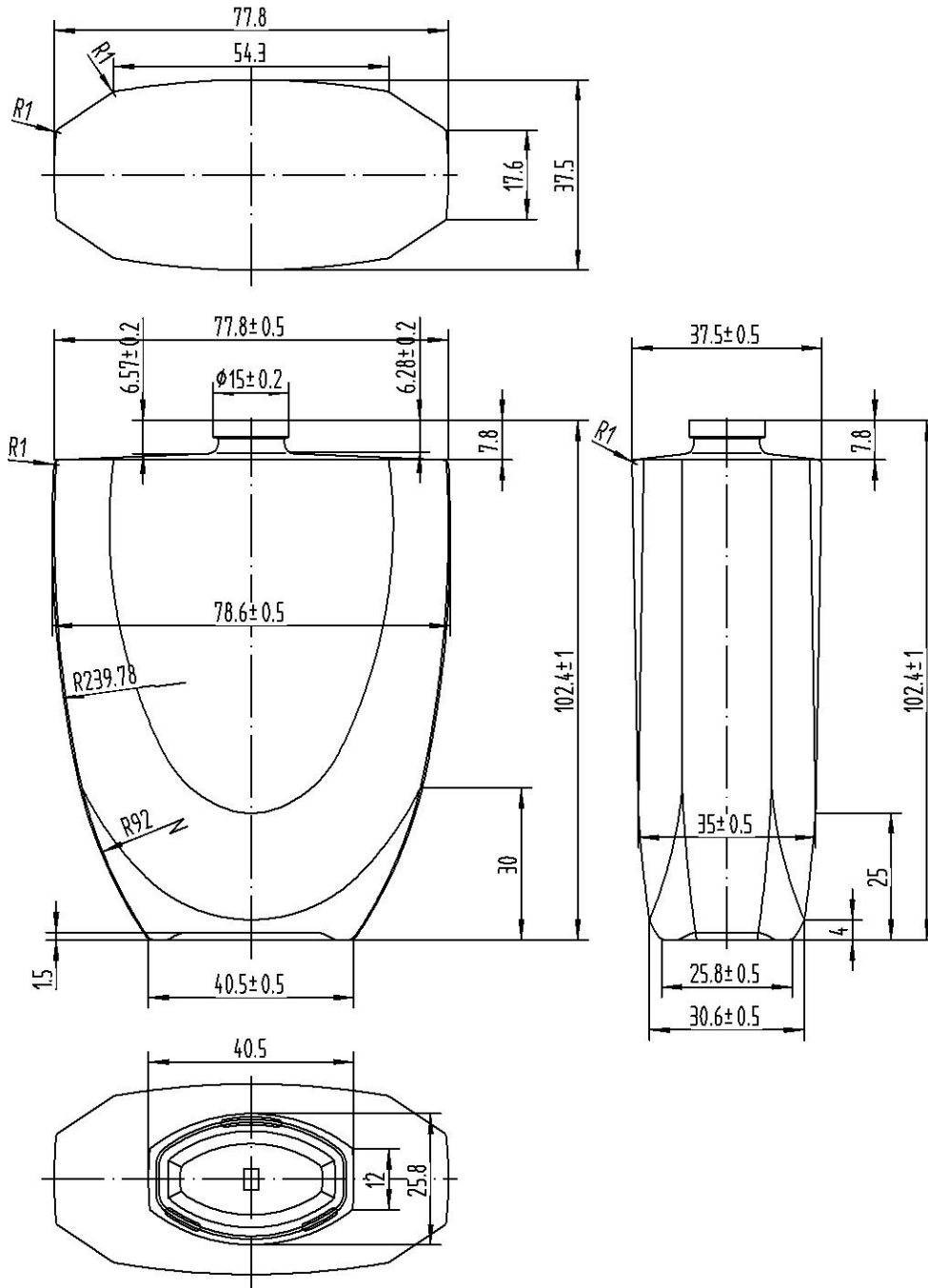
Brimful Capacity **98 ± 3 ml**

Net Weight **250 ± 5 g**

Dimensions **L78.6 x W37.5 x H102.4 mm**

Neck Finish **FEA15**

Rambo 90ml



With integrated service of design, customization, wholesale, contract manufacturing, decoration, GP Bottles is providing bespoke perfume bottle packaging solutions for niche perfume brand.