

Powered 100ml



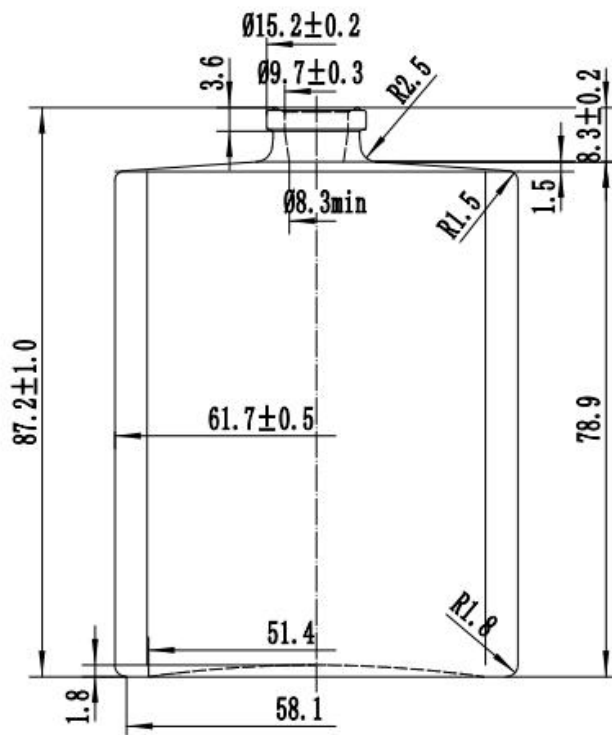
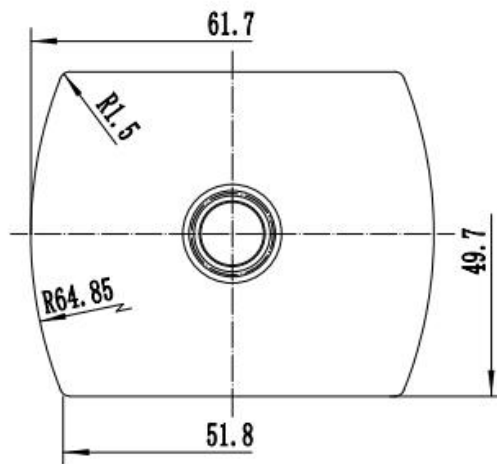
Brimful Capacity **112 ± 3 ml**

Net Weight **285 ± 5 g**

Dimensions **L61.7 x W49.7 x H87.2 mm**

Neck Finish **FEA15**

Powered 100ml



With integrated service of design, customization, wholesale, contract manufacturing, decoration, GP Bottles is providing bespoke perfume bottle packaging solutions for niche perfume brand.