

# Penny 50ml



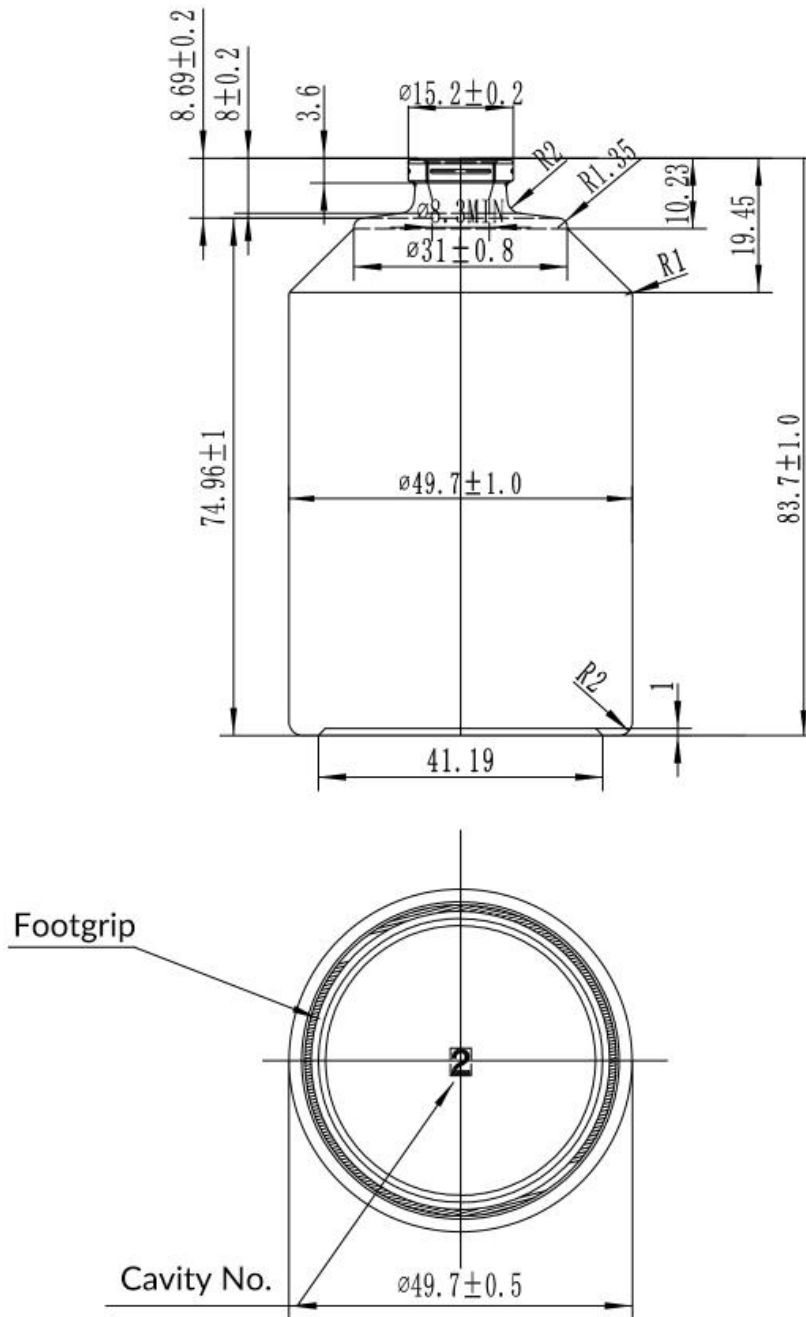
Brimful Capacity  **$57 \pm 3$  ml**

Net Weight  **$200 \pm 5$  g**

Dimensions **Dia49.7 x H83.7 mm**

Neck Finish **FEA15**

# Penny 50ml



With integrated service of design, customization, wholesale, contract manufacturing, decoration, GP Bottles is providing bespoke perfume bottle packaging solutions for niche perfume brand.