

Oslo L 100ml



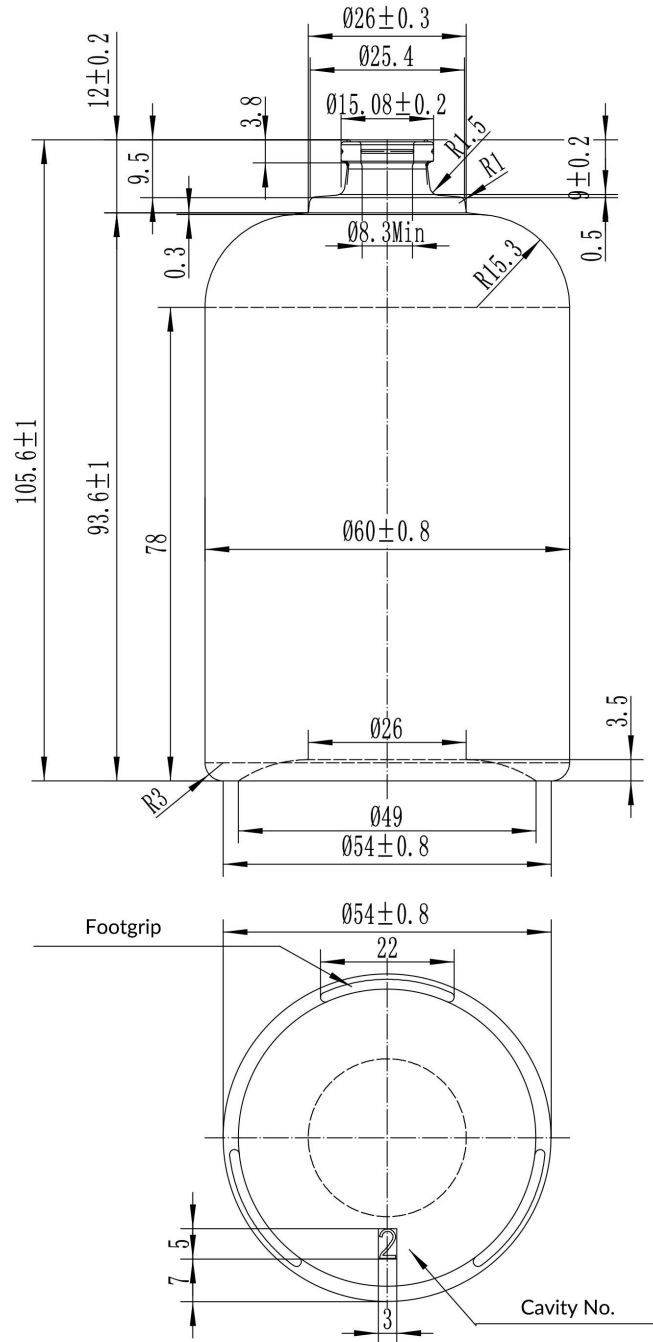
Brimful Capacity **106 ± 3 ml**

Net Weight **353 ± 5 g**

Dimensions **Dia60 x H105.6 mm**

Neck Finish **FEA15**

Oslo L 100ml



With integrated service of design, customization, wholesale, contract manufacturing, decoration, GP Bottles is providing bespoke perfume bottle packaging solutions for niche perfume brand.