

Night Show 100ml



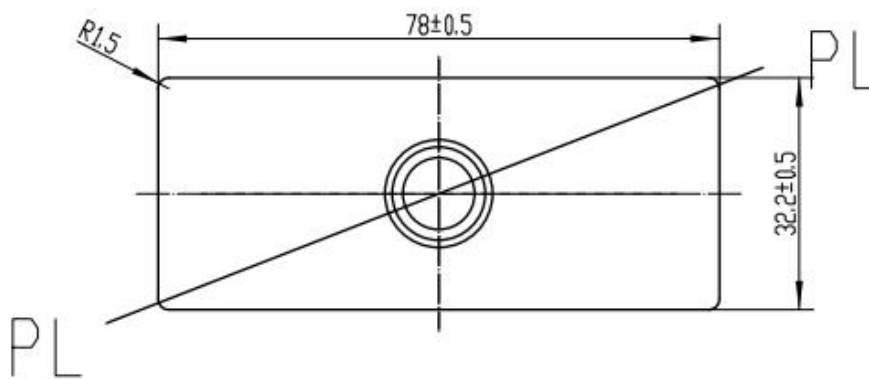
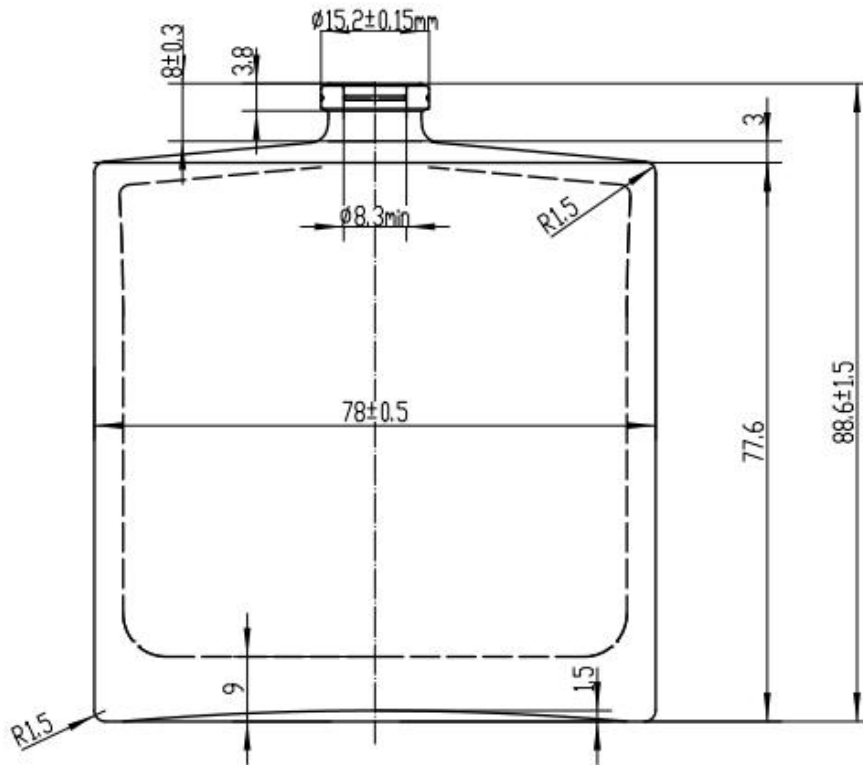
Brimful Capacity **108 ± 3 ml**

Net Weight **237 ± 7 g**

Dimensions **L78 x W33.2 x H88.6 mm**

Neck Finish **FEA15**

Night Show 100ml



With integrated service of design, customization, wholesale, contract manufacturing, decoration, GP Bottles is providing bespoke perfume bottle packaging solutions for niche perfume brand.