

Crystal 50ml



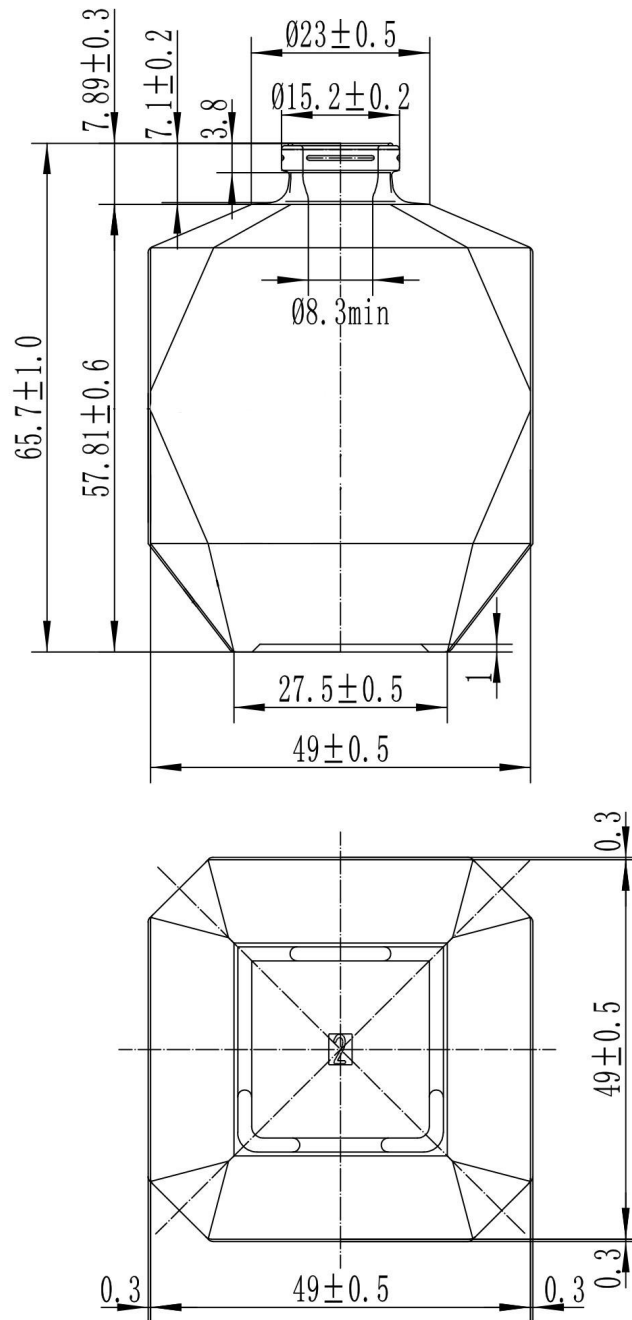
Brimful Capacity **57 ± 2 ml**

Net Weight **163 ± 5 g**

Dimensions **L49 x W49 x H65.7 mm**

Neck Finish **FEA15**

Crystal 50ml



With integrated service of design, customization, wholesale, contract manufacturing, decoration, GP Bottles is providing bespoke perfume bottle packaging solutions for niche perfume brand.