

Bazille 100ml



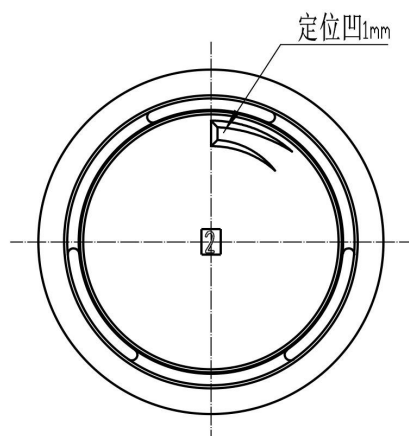
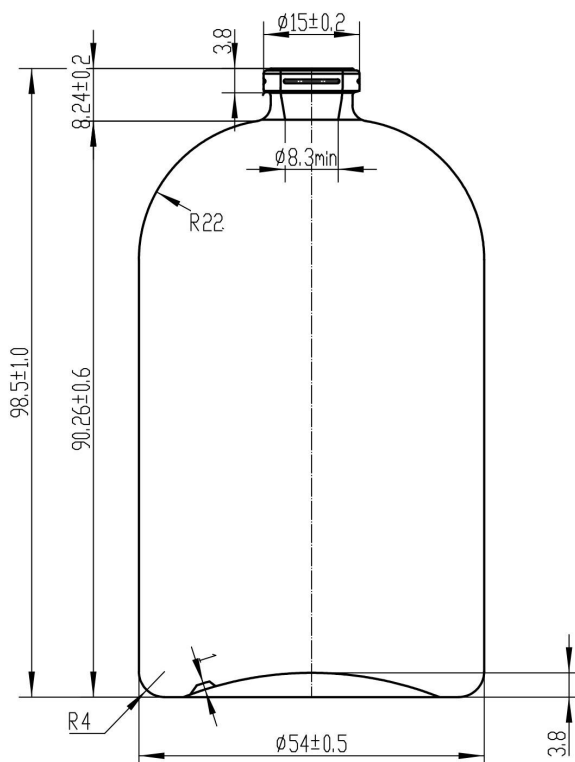
Brimful Capacity **107 ± 2 ml**

Net Weight **207 ± 5 g**

Dimensions **Dia.54 x H98.5 mm**

Neck Finish **FEA15**

Bazille 100ml



With integrated service of design, customization, wholesale, contract manufacturing, decoration, GP Bottles is providing bespoke perfume bottle packaging solutions for niche perfume brand.