

## Astra 100ml



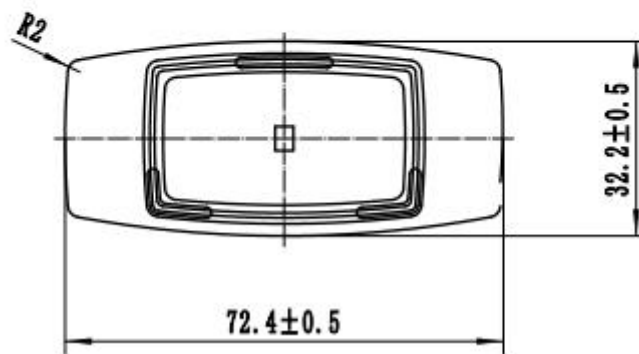
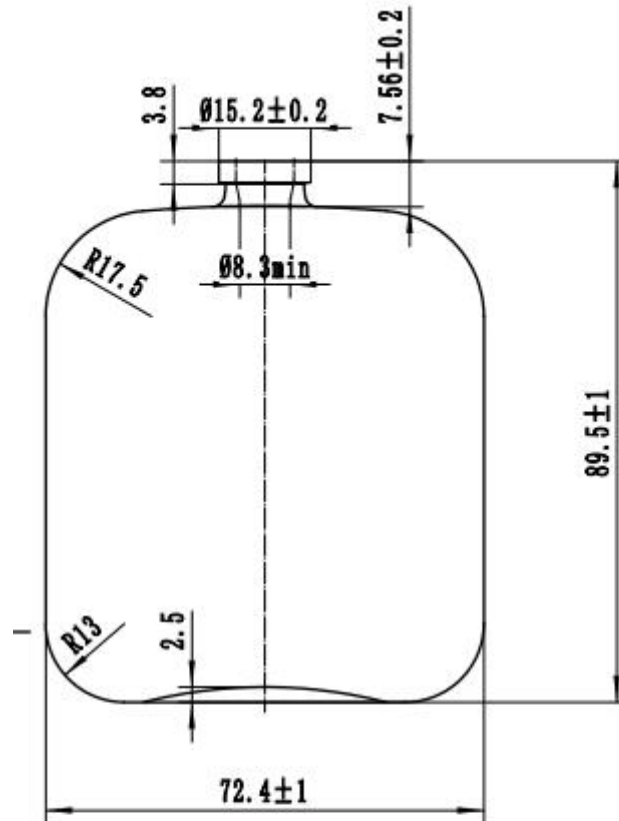
Brimful Capacity **102±2 ml**

Net Weight **158±5 g**

Dimensions **L72.4 x W32.2 x H89.5 mm**

Neck Finish **FEA15**

# Astra 100ml



With integrated service of design, customization, wholesale, contract manufacturing, decoration, GP Bottles is providing bespoke perfume bottle packaging solutions for niche perfume brand.