

Product Specifications

Duchamp 50ml

GP-10637B



Brimful Capacity **58 ± 2 ml**

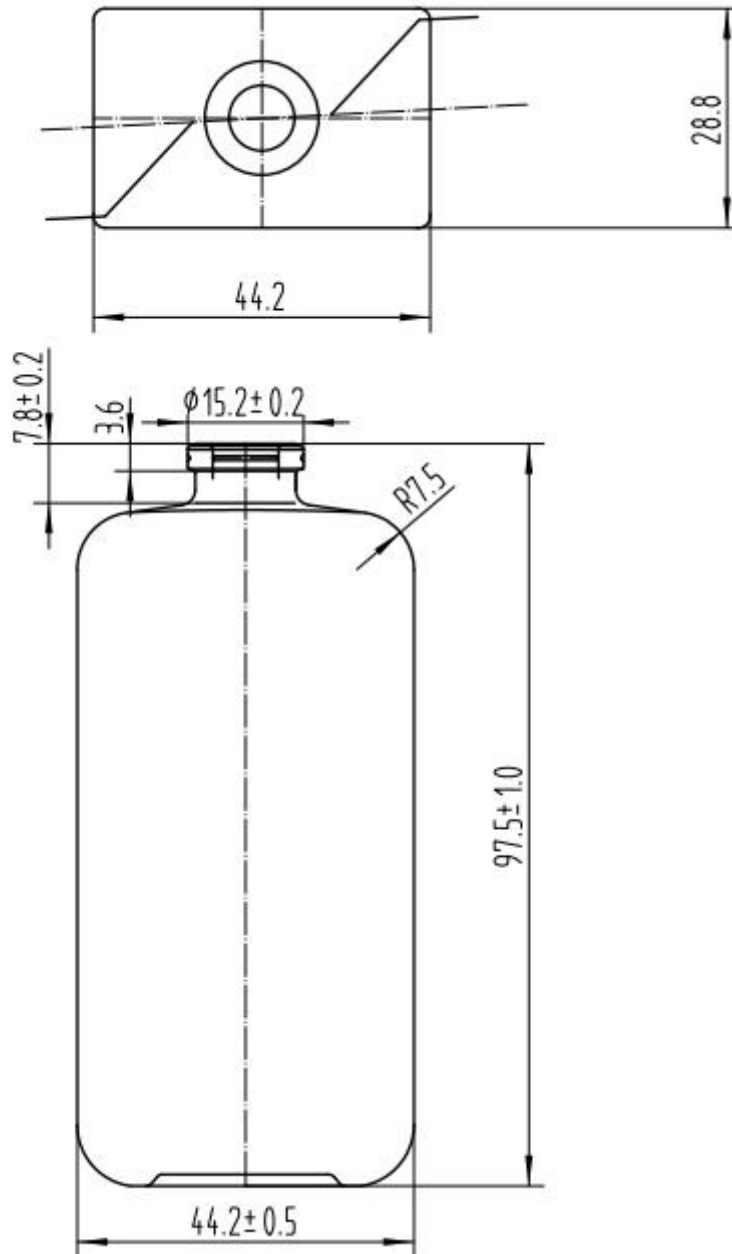
Weight **130 ± 5 g**

Dimensions **L44.2 x W28.8 x H97.5 mm**

Finish **FEA15**

Duchamp 50ml

GP-10637B



With integrated service of design, customization, wholesale, contract manufacturing, decoration, GP Bottles is providing bespoke perfume bottle packaging solutions for niche perfume brand.