

## **Bruce 50ml**

GP-145B



Brimful Capacity **55 ± 2 ml**

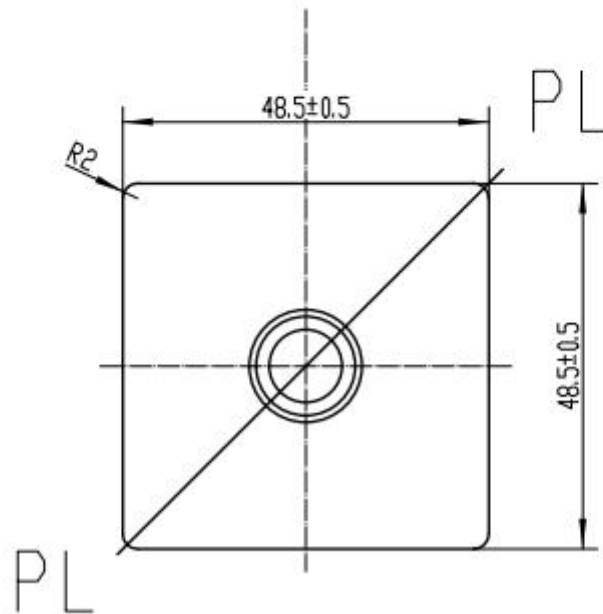
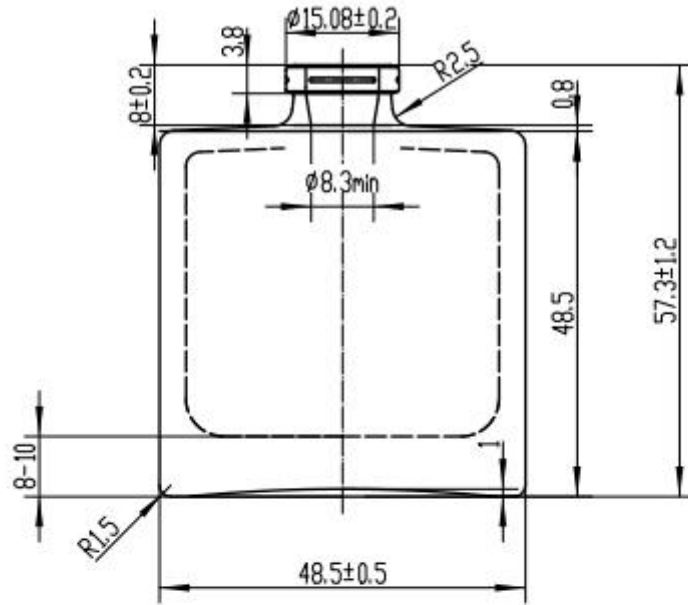
Weight **145 ± 5 g**

Dimensions **L48.5 x W48.5 x H57.3 mm**

Finish **FEA15**

# Bruce 50ml

GP-145B



With integrated service of design, customization, wholesale, contract manufacturing, decoration, GP Bottles is providing bespoke perfume bottle packaging solutions for niche perfume brand.