

Bruce 30ml

GP-150B



Brimful Capacity **34 ± 2 ml**

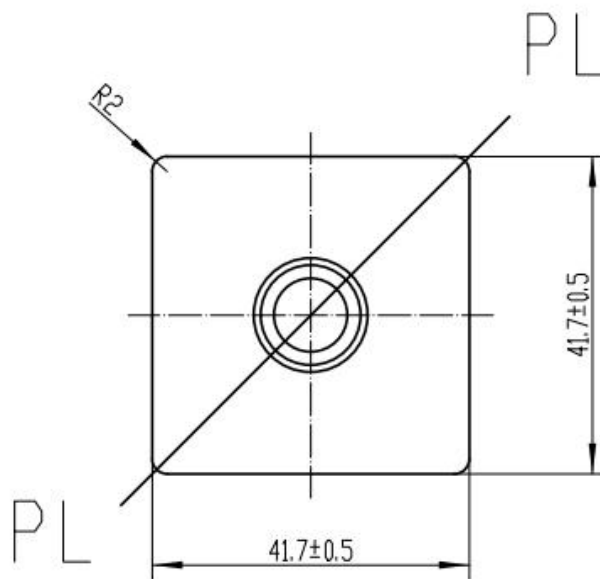
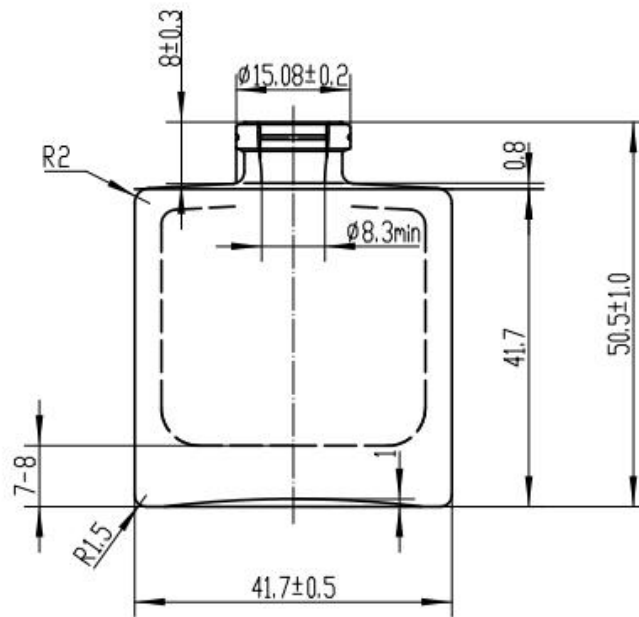
Weight **90 ± 5 g**

Dimensions **L41.7 x W41.7 x H50.5 mm**

Finish **FEA15**

Bruce 30ml

GP-150B



With integrated service of design, customization, wholesale, contract manufacturing, decoration, GP Bottles is providing bespoke perfume bottle packaging solutions for niche perfume brand.