

Pu Culture Stone Hard Foam

Polyurethane High Pressure Foaming Machine

Stable operation · High efficiency



Craftsmanship

Build high quality machines



Strength
manufacturers



After-sales
service



Support
customization



Technical
guidance



Durable



Real material

Sample processing

• • •



Application field



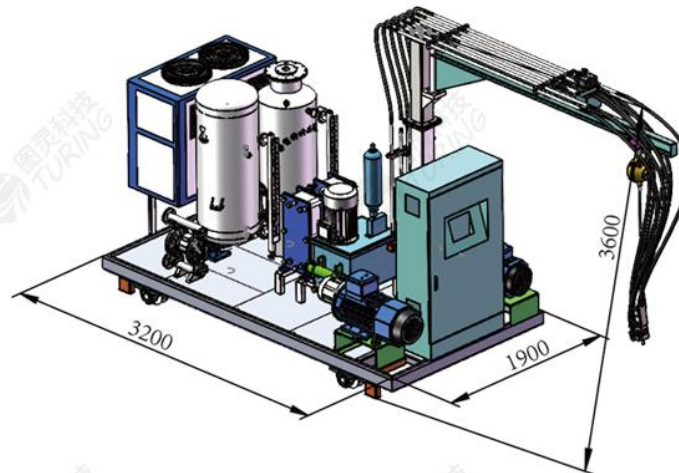
Suitable for stone imitation wood, hard polyurethane products foam, mainly used in pu imitation culture stone, decorative ceiling, imitation wood line, Roman column, lamp post, imitation wood crafts, model sculpture and other industries.



Product Parameter

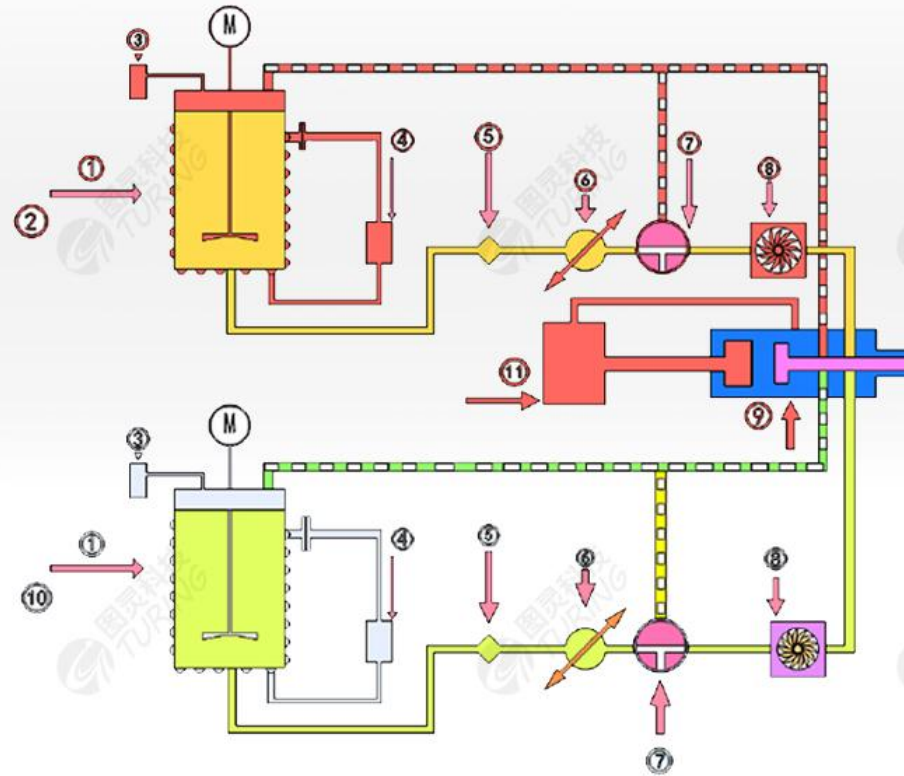


| items/model | TR-12 | TR-28 | TR-55 | TR-107 |
|---|---------------------------|--------------------|---------------------------------------|-----------|
| pouring flow(g/s) | 150-550 | 350-1300 | 1000-2300 | 2000-5200 |
| mixing head model | TR10-14 | TR10-14 TR12-18 | TR12-18 TR16-25 | TR16-25 |
| power (KW) | 23 | 32 | 56 | 108 |
| metering pump model (A2FK,A2VK,A7VK) | 12 | 28 | 55 | 107 |
| flowmeter (optional) | VCG2FCP2 | VCG2FCP2 | VCG5FCP2 | VCG5FCP2 |
| air source | 0.6mpa (nitrogen optimal) | | | |
| injection time accuracy | 0.1s-99.99s | | A:B injection ratio | 1:3---3:1 |
| raw material injection pressure | 8---15mpa | | injection repeat accuracy | ≤1% |
| temperature control accuracy | ±2° | | Hydraulic station working pressure | 12--20mpa |



working principle

...



- | | |
|--------------------|--------------------------|
| ① Storage tank | ② Isocyanate |
| ③ Compressed air | ④ Heating/cooling device |
| ⑤ filter | ⑥ Metering pumps |
| ⑦ Reversing valve | ⑧ Flow monitoring |
| ⑨ Mixing head | ⑩ Polyol |
| ⑪ Hydraulic device | |

Product Details



Flowmeter monitoring

Adoption of high-precision pulse measuring device, the use of volume meter, frequency converter, PLC control system to monitor each other, to achieve closed-loop control, to ensure that the measurement accuracy of $\leq 1\%$.



electrical control

With Siemens PLC + dual-frequency multi-function safety device, 38 intelligent self-test protection points, storage of 99 recipes, high degree of automation.

● ● ● mixing device

This system adopts self-cleaning/anti-turnover/anti-splash/new type V-shaped foam gun (to achieve 3 times mixing function), which can be used by one machine and two guns, with automatic switching of the two guns, frequency conversion and energy saving, and free application.

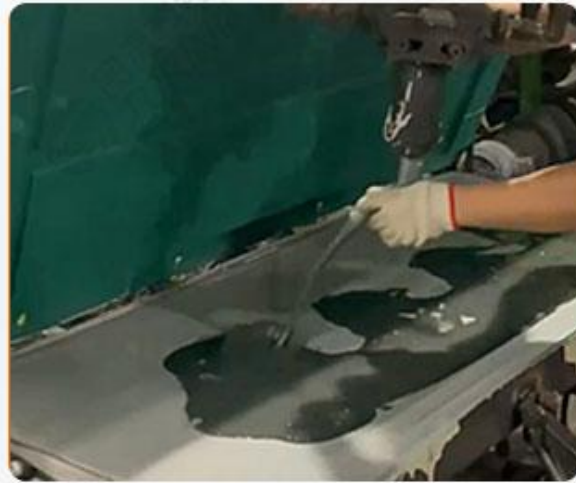


● ● ● Dual touchscreen visualisation

The main electric box adopts 10-inch colour touch screen, and the mixing head is equipped with 7-inch colour touch screen, which can directly monitor the injection process, and monitor the parameters such as working position, pressure, output and curing time.

product real shot

• • •



图灵科技
TURIN

图灵科技
TURIN