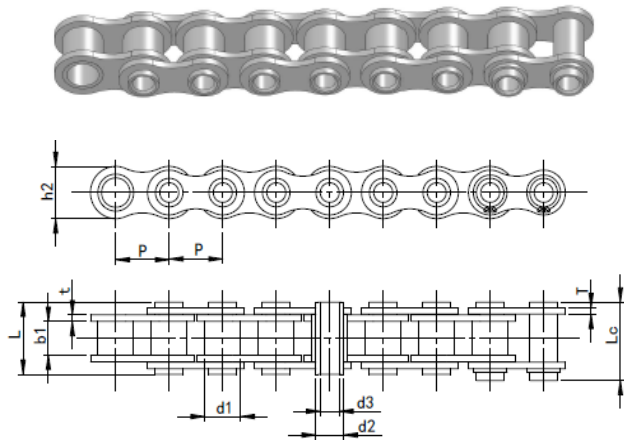
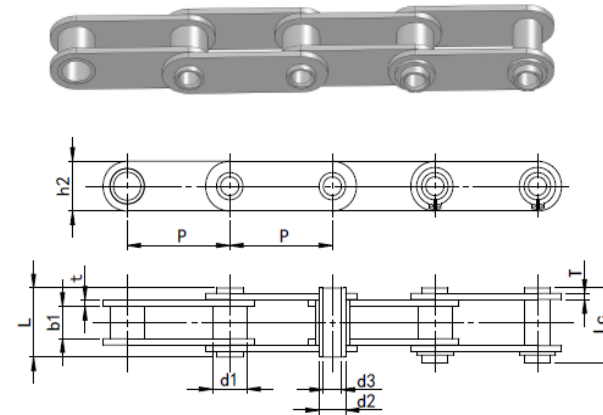


## Hollow pin stainless steel chain

### Type A fixed bush



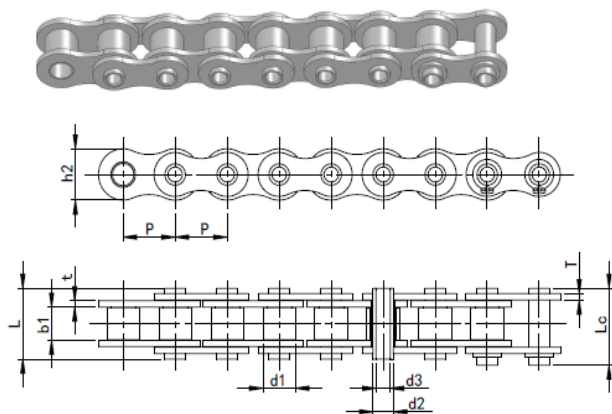
### Type B straight side



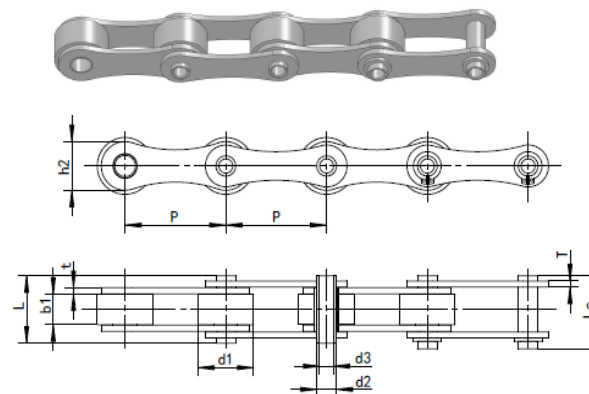
ZMIE Chain No.		Bush diameter	Width between inner plates	Pin diameter		Pin length		Inner plate depth	Plate thicknes s	Ultimate tensile strength	Weight per meter	Type						
				d1 max	b1 min	d2 max	d3 min						L max	Lc max	h2 max	t/T max	Q min	q
				mm	mm	mm	mm						mm	mm	mm	mm	KN	kg/m
08BHPF-SS	12.7	8.51	7.8	6.55	4.5	16.4	17.6	11.8	1.6/1.3	6.66	0.6	A						
40HP-SS	12.7	7.95	7.9	5.63	4.0	16.5	17.6	12	1.5	6.6	0.5	A						
50HP-SS	15.9	10.16	9.4	7.03	5.1	20.7	21.9	15.09	2.0	12	0.9	A						
60HP-SS	19.1	11.91	12.7	8.31	6.0	25.8	26.8	18	2.4	14.4	1.3	A						

ZMIE Chain No.		Bush diameter	Width between inner plates	Pin diameter		Pin length		Inner plate depth	Plate thicknes s	Ultimate tensile strength	Weight per meter	Type
		d1 max	b1 min	d2 max	d3 min	L max	Lc max	h2 max	t/T max	Q min	q	
		mm	mm	mm	mm	mm	mm	mm	mm	KN	kg/m	
60HPF1-SS	19.1	11.91	12.7	8.31	5.0	25.5	26.8	18	2.4	16.8	1.4	A
80HP-SS	25.4	15.88	15.8	11.4	8.1	32.5	33.8	24	3.3	30	2.3	A
C2040HP-SS	25.4	7.95	7.9	5.63	4.0	16.5	17.6	12	1.5	6.6	0.5	B
C2050HP-SS	31.8	10.16	9.4	7.22	5.1	20.5	21.8	15	2.0	12.24	0.8	B
C2060HP-SS	38.1	11.91	12.7	8.31	6.0	25.8	26.8	17	2.4	14.4	1.0	B
C2080HP-SS	50.8	15.88	15.8	11.4	8.1	32.5	33.8	24	3.3	30	1.8	B
HP50F1-SS	50.0	26	14.5	20	14.7	35.3	36.2	40	3.1	18	4.0	B

Type A speed roller

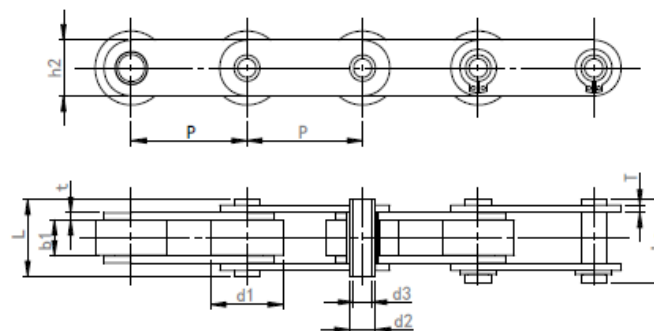
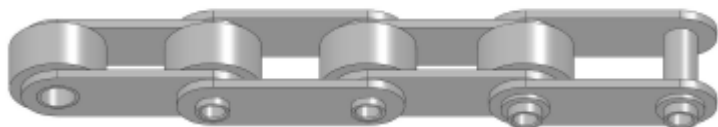


Type B



ZMIE Chain No.		Roller diameter	Width between inner plates	Pin diameter		Pin length		Inner plate depth	Plate thicknes s	Ultimate tensile strength	Weight per meter	Type
		d1 max	b1 min	d2 max	d3 min	L max	Lc max	h2 max	t/T max	Q min	q	
		mm	mm	mm	mm	mm	mm	mm	mm	KN	kg/m	
10BHB-SS	15.875	10.16	9.65	5.94	4.04	19.3	20.6	14.7	1.7	10.2	0.86	A
12BHP-SS	19.05	12.07	11.68	6.5	4	21.6	22.8	15.9	1.85	14.16	1.09	A
60HB-SS	19.05	11.91	12.7	7	5.01	25.5	26.6	18	2.42	12	1.35	A
HP35-SS	35	20	16	13.35	10.2	30.4	31.6	26.3	2.5	14.11	2.02	A
HP50F2-SS	50	31	15	13.2	10.2	36.5	38	25	4	24	3.4	B
HB38.1-SS	38.1	20	8	8	5.3	19.6	20.7	17.3	2.03	15	0.98	B
HB50.8-SS	50.8	30	10.5	11.4	8.2	27.4	28.6	26	3.1	30	2.56	B
HB63-SS	63	30	10	11.4	8.1	26.7	28.1	26.5	3.1	30	2.07	B
HB100-SS	100	30	10.5	11.4	8.2	27.4	28.6	26	3.1	30	1.56	B

double pitch

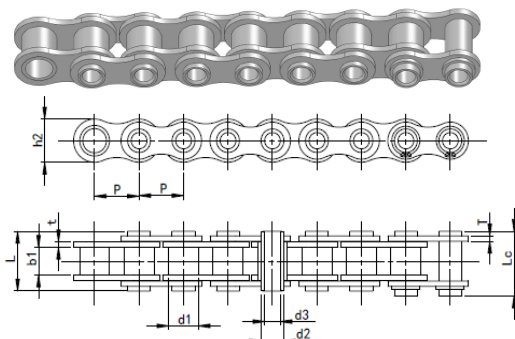


ZMIE Chain No.		Roller diameter	Width between inner plates	Pin diameter		Pin length		Inner plate depth	Plate thickness	Ultimate tensile strength	Weight per meter
		d1 max	b1 min	d2 max	d3 min	L max	Lc max	h2 max	t/T max	Q min	q
		mm	mm	mm	mm	mm	mm	mm	mm	KN	kg/m
C2042HP-SS	25.4	15.88	7.85	5.63	4	16.5	17.6	12	1.5	6.6	0.78
C2052HP-SS	31.75	19.05	9.53	7.22	5.12	20.5	21.8	15	2.03	12.24	1.25
C2062HP-SS	38.1	22.23	12.7	8.31	6	25.8	26.8	17	2.42	14.4	1.72
C2082HP-SS	50.8	28.58	15.75	11.4	8.05	32.4	33.8	24	3.25	30	2.82
C2052HPF1-SS	31.75	19.05	9.4	7.03	5.12	20	21.5	15.3	1.85	9	1.21
C2042HHP-SS	25.4	15.88	7.85	5.63	4	18.8	19.9	12	2.03	6.6	0.95
C2052HHP-SS	31.75	19.05	9.53	7.22	5.12	22.1	23.4	15	2.42	12.24	1.44

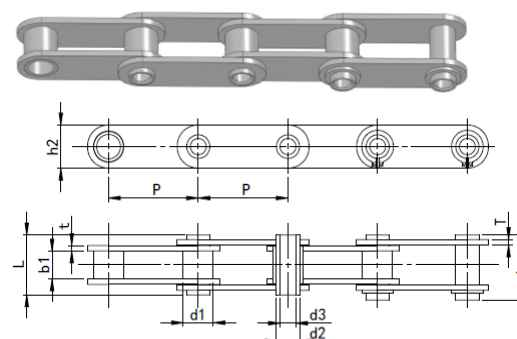
ZMIE Chain No.		Roller diameter	Width between inner plates	Pin diameter		Pin length		Inner plate depth	Plate thickness	Ultimate tensile strength	Weight per meter
		d1 max	b1 min	d2 max	d3 min	L max	Lc max	h2 max	t/T max	Q min	q
		mm	mm	mm	mm	mm	mm	mm	mm	KN	kg/m
C2062HHP-SS	38.1	22.23	12.7	8.31	6	29.2	30.2	17	3.25	14.4	1.99
C2082HHP-SS	50.8	28.58	15.75	11.4	8.05	36.2	37.6	24	4	30	3.26
HP40-SS	40	22	8.75	9	6	23	24.2	18	2.5	12	1.49
HP50-SS	50	31	14.5	13.2	10.4	31.1	32.5	25	3.1	18	3.29
HP50F4-SS	50	31	15	13.2	10.2	36.5	38	25	4	24	3.73
63HPF1-SS	63	40	15	16	12.1	35	36.2	28.5	4	30	4.2
DH4202HP-SS	50.8	31.8	15	14	10.1	36.3	39	26	3.8	25.2	3.75
DH4203HP-SS	76.2	31.8	15	14	10.1	36.3	39	26	3.8	25.2	3.01
DH42035HP-SS	88.9	31.8	15	14	10.1	36.3	39	26	3.8	25.2	2.79
DH4204HP-SS	101.6	31.8	15	14	10.1	36.3	39	26	3.8	25.2	2.63
DH8403HP-SS	76.2	47.6	19	19.05	13.6	43.8	46.3	39	5.1/3.8	50.58	6.81
DH8404HP-SS	106.1	47.6	19	19.05	13.6	43.8	46.3	39	5.1/3.8	50.58	5.78
DH8406HP-SS	152.4	47.6	19	19.05	13.6	43.8	46.3	39	5.1/3.8	50.4	5.18

## standard hollow pin chain

### Type A



### Type B



ZMIE Chain No.	Roller diameter	Width between inner plates	Pin diameter		Pin length		Inner plate depth	Plate thickness	Ultimate tensile strength	Weight per meter	Type		
			d1 max	b1 min	d2 max	d3 min						L max	Lc max
			mm	mm	mm	mm						mm	mm
08BHPF2-SS	12.7	8.51	13.2	6.65	5.2	18	19.2	11.8	1.6/1.3	6	0.5	A	
10BHPF1-SS	15.875	10.16	13.41	7.03	5	19.2	20.2	14	1.85	10.2	0.83	A	
12BHPF1-SS	19.05	12.07	16	8.03	5.4	22.7	23.9	15.8	1.85	15	1.09	A	
16BHPF1-SS	25.4	15.88	25.58	11.5	8.1	36	37.6	21	4.15/3.1	27	2.21	A	
60HPF2-SS	19.05	11.91	11.23	5.63	4.05	16.5	17.6	10.4	1.5	6	0.62	A	
63HP-SS	63	40	23.5	16	12	35.3	38.3	28.6	4	39	4.14	B	
63HPF2-SS	63	40	25.8	14	8.2	39.1	41.1	20	5	30	4.17	B	
63HPF4-SS	63	40	2.5	16	12.3	34.7	37.7	28.6	4	26.4	4.13	B	
63HPF6-SS	63	40	28.94	16	10.3	41.8	43.4	28.6	4	26.4	5.18	B	
C2122HPF1-SS	76.2	47.6	29	17.81	12.7	43.3	44.7	38.1	4.8	32	7.05	B	