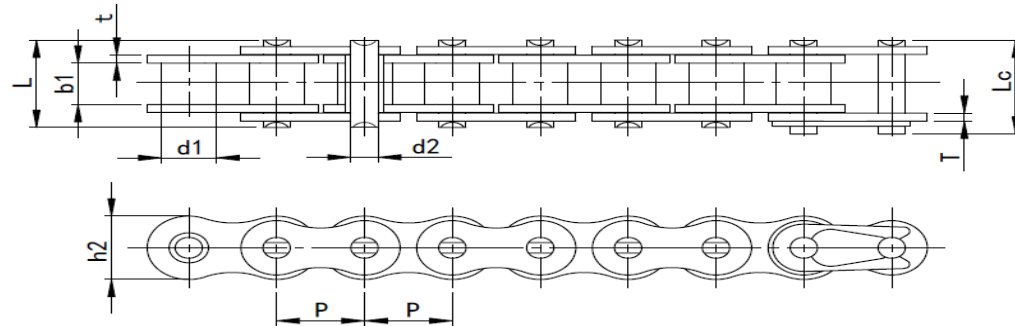


Short pitch standard roller chain

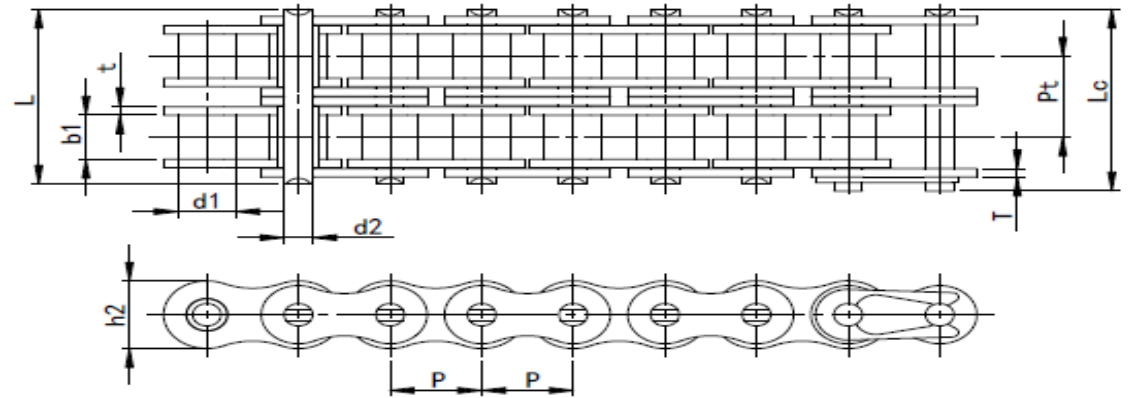
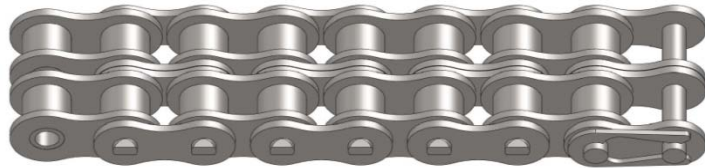
Simplex chain



ZMIE Chain No.		Pitch	Roller diameter	Width between inner plates	Pin diameter	Pin length		Inner plate depth	Plate thickness	Ultimate tensile strength	Weight per meter
		P	d1 max	b1 min	d2 max	L max	Lc max	h2 max	T max	Q min	q
		mm	mm	mm	mm	mm	mm	mm	mm	KN	kg/m
04CSS-1	25SS-1	6.35	3.3	3.18	2.31	7.9	8.4	6	0.8	2.1	0.15
06CSS-1	35SS-1	9.525	5.08	4.77	3.58	12.4	13.17	9	1.3	4.74	0.33
085SS-1	41SS-1	12.7	7.77	6.25	3.58	13.75	15	9.91	1.3	4	0.41
08ASS-1	40SS-1	12.7	7.95	7.85	3.96	16.6	17.8	12	1.5	8.46	0.62
10ASS-1	50SS-1	15.875	10.16	9.4	5.08	20.7	22.2	15.09	2.03	13.32	1.02
12ASS-1	60SS-1	19.05	11.91	12.57	5.94	25.9	27.7	18	2.42	19.08	1.5
16ASS-1	80SS-1	25.4	15.88	15.75	7.92	32.7	35	24	3.25	34.02	2.6
20ASS-1	100SS-1	31.75	19.05	18.9	9.53	40.4	44.7	30	4	53.1	3.91

24ASS-1	120SS-1	38.1	22.23	25.22	11.1	50.3	54.3	35.7	4.8	76.2	5.62
28ASS-1	140SS-1	44.45	25.4	25.22	12.7	54.4	59	41	5.6	103.44	7.5
32ASS-1	160SS-1	50.8	28.58	31.55	14.27	64.8	69.6	47.8	6.4	136.08	10.1
36ASS-1	180SS-1	57.15	35.71	35.48	17.46	72.8	78.6	53.6	7.2	168.12	13.45
40ASS-1	200SS-1	63.5	39.68	37.85	19.85	80.3	87.2	60	8	212.28	16.15
48ASS-1	240SS-1	76.2	47.63	47.35	23.81	95.5	103	72.39	9.5	306.18	23.2
04BSS-1		6	4	2.8	1.85	6.8	7.8	5	0.6	2.1	0.11
05BSS-1		8	5	3	2.31	8.2	8.9	7.1	0.8	3	0.2
06BSS-1		9.525	6.35	5.72	3.28	13.15	14.1	8.2	1.3	5.4	0.41
08BSS-1		12.7	8.51	7.75	4.45	16.7	18.2	11.8	1.6	10.8	0.69
10BSS-1		15.875	10.16	9.65	5.08	19.5	20.9	14.7	1.7	13.44	0.93
12BSS-1		19.05	12.07	11.68	5.72	22.5	24.2	16	1.85	17.4	1.15
16BSS-1		25.4	15.88	17.02	8.28	36.1	37.4	21	4.15/3.1	36	2.71
20BSS-1		31.75	19.05	19.56	10.19	41.3	45	26.4	4.5/3.5	57	3.7
24BSS-1		38.1	25.4	25.4	14.63	53.4	57.8	33.2	6.0/4.8	96	7.1
28BSS-1		44.45	27.94	30.99	15.9	65.1	69.5	36.7	7.5/6.0	120	8.5
32BSS-1		50.8	29.21	30.99	17.81	66	71	42	7.0/6.0	150	10.25
40BSS-1		63.5	39.37	38.1	22.89	82.2	89.2	52.96	8.5/8.0	213	16.35
48BSS-1		76.2	48.26	45.72	29.24	99.1	107	63.8	12.0/10.0	336	25

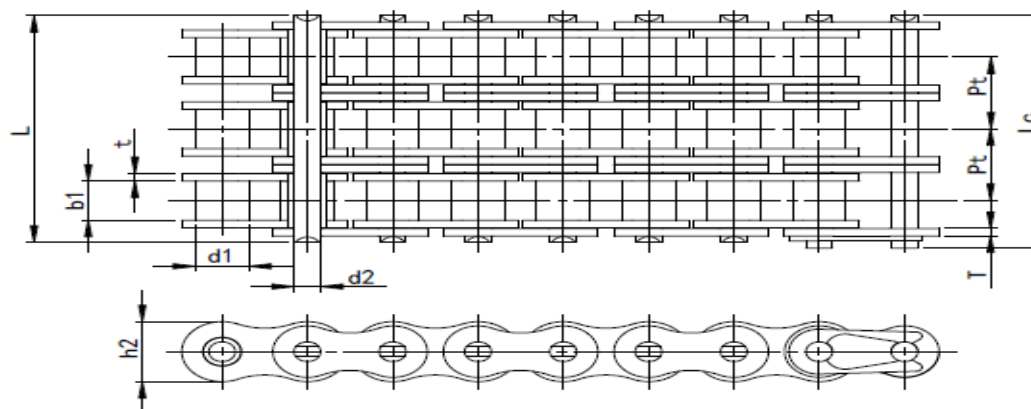
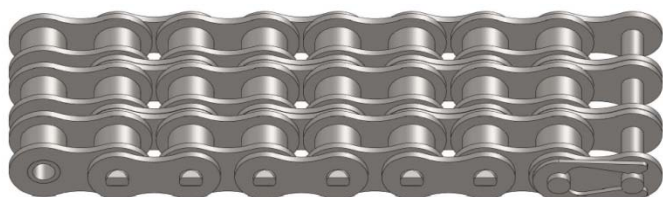
Duplex chain



ZMIE Chain No.		Pitch	Roller diameter	Width between inner plates	Pin diameter	Pin length		Inner plate depth	Plate thickness	Transverse pitch	Ultimate tensile strength	Weight per meter
		P	d1 max	b1 min	d2 max	L max	Lc max	h2 max	T max	Pt	Q min	q
		mm	mm	mm	mm	mm	mm	mm	mm	mm	KN	kg/m
04CSS-2	25SS-2	6.35	3.3	3.18	2.31	14.5	15	6	0.8	6.4	4.2	0.28
06CSS-2	35SS-2	9.525	5.08	4.77	3.58	22.5	23.3	9	1.3	10.13	9.48	0.63
085SS-2	41SS-2	12.7	7.77	6.25	3.58	25.7	26.9	9.91	1.3	11.95	8	0.81
08ASS-2	40SS-2	12.7	7.95	7.85	3.96	31	32.2	12	1.5	14.38	16.92	1.12
10ASS-2	50SS-2	15.875	10.16	9.4	5.08	38.9	40.4	15.09	2.03	18.11	26.46	2
12ASS-2	60SS-2	19.05	11.91	12.57	5.94	48.8	50.5	18	2.42	22.78	38.16	2.92
16ASS-2	80SS-2	25.4	15.88	15.75	7.92	62.7	64.3	24	3.25	29.29	68.04	5.15

20ASS-2	100SS-2	31.75	19.05	18.9	9.53	76	80.5	30	4	35.76	106.2	7.8
24ASS-2	120SS-2	38.1	22.23	25.22	11.1	95.8	99.7	35.7	4.8	45.44	152.4	11.7
28ASS-2	140SS-2	44.45	25.4	25.22	12.7	103.3	107.9	41	5.6	48.87	206.88	15.14
32ASS-2	160SS-2	50.8	28.58	31.55	14.27	123.3	128.1	47.8	6.4	58.55	272.16	20.14
36ASS-2	180SS-2	57.15	35.71	35.48	17.46	138.6	144.4	53.6	7.2	65.84	336.3	29.22
40ASS-2	200SS-2	63.5	39.68	37.85	19.85	151.9	158.8	60	8	71.55	424.56	32.24
48ASS-2	240SS-2	76.2	47.63	47.35	23.81	183.4	190.8	72.39	9.5	87.83	612.36	45.23
05BSS-2		8	5	3	2.31	13.9	14.5	7.1	0.8	5.64	4.68	0.33
06BSS-2		9.525	6.35	5.72	3.28	23.4	24.4	8.2	1.3	10.24	10.14	0.77
08BSS-2		12.7	8.51	7.75	4.45	31.2	32.2	11.8	1.6	13.92	19.2	1.34
10BSS-2		15.875	10.16	9.65	5.08	36.1	37.5	14.7	1.7	16.59	26.7	1.84
12BSS-2		19.05	12.07	11.68	5.72	42	43.6	16	1.85	19.46	34.68	2.31
16BSS-2		25.4	15.88	17.02	8.28	68	69.3	21	4.15/3.1	31.88	63.6	5.42
20BSS-2		31.75	19.05	19.56	10.19	77.8	81.5	26.4	4.5/3.5	36.45	102	7.2
24BSS-2		38.1	25.4	25.4	14.63	101.7	106.2	33.2	6.0/4.8	48.36	168	13.4
28BSS-2		44.45	27.94	30.99	15.9	124.6	129.1	36.7	7.5/6.0	59.56	216	16.6
32BSS-2		50.8	29.21	30.99	17.81	124.6	129.6	42	7.0/6.0	58.55	270	21
40BSS-2		63.5	39.37	38.1	22.89	154.5	161.5	52.96	8.5/8.0	72.29	378	32
48BSS-2		76.2	48.26	45.72	29.24	190.4	198.2	63.8	12.0/10.0	91.21	600	50

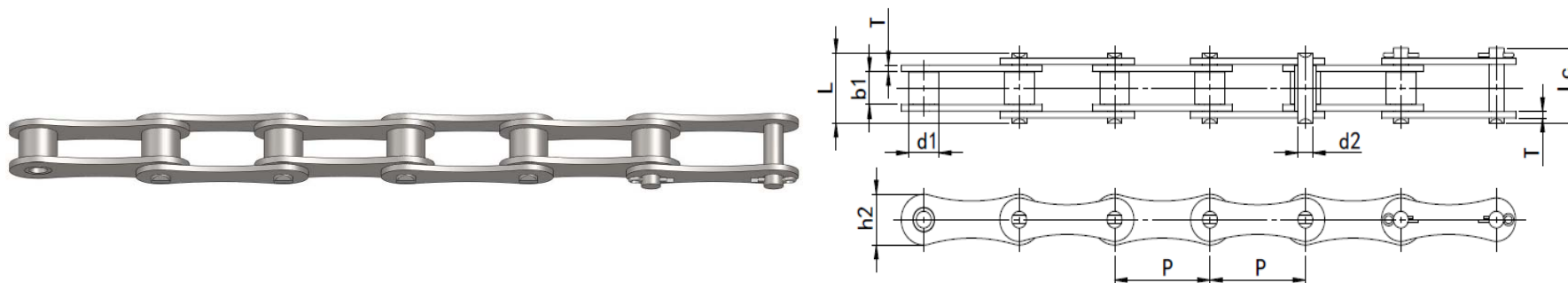
Triplex chain



ZMIE Chain No.		Pitch	Roller diameter	Width between inner plates	Pin diameter	Pin length		Inner plate depth	Plate thickness	Transverse pitch	Ultimate tensile strength	Weight per meter
		P	d1 max	b1 min	d2 max	L max	Lc max	h2 max	T max	Pt	Q min	q
		mm	mm	mm	mm	mm	mm	mm	mm	mm	KN	kg/m
04CSS-3	25SS-3	6.35	3.3	3.18	2.31	21	21.5	6	0.8	6.4	6.3	0.44
06CSS-3	35SS-3	9.525	5.08	4.77	3.58	32.7	33.5	9	1.3	10.13	14.22	1.05
08ASS-3	40SS-3	12.7	7.95	7.85	3.96	45.4	46.6	12	1.5	14.38	25.38	1.9
10ASS-3	50SS-3	15.875	10.16	9.4	5.08	57	58.5	15.09	2.03	18.11	39.96	3.09
12ASS-3	60SS-3	19.05	11.91	12.57	5.94	71.5	73.3	18	2.42	22.78	57.24	4.54
16ASS-3	80SS-3	25.4	15.88	15.75	7.92	91.7	93.6	24	3.25	29.29	102.06	7.89
20ASS-3	100SS-3	31.75	19.05	18.9	9.53	112.2	116.3	30	4	35.76	159.3	11.77

24ASS-3	120SS-3	38.1	22.23	25.22	11.1	141.4	145.2	35.7	4.8	45.44	228.6	17.53
28ASS-3	140SS-3	44.45	25.4	25.22	12.7	152.2	156.8	41	5.6	48.87	342.72	22.2
32ASS-3	160SS-3	50.8	28.58	31.55	14.27	181.8	186.6	47.8	6.4	58.55	408.24	30.02
36ASS-3	180SS-3	57.15	35.71	35.48	17.46	204.4	210.2	53.6	7.2	65.84	504.42	38.22
40ASS-3	200SS-3	63.5	39.68	37.85	19.85	223.5	230.4	60	8	71.55	636.84	49.03
48ASS-3	240SS-3	76.2	47.63	47.35	23.81	271.3	278.6	72.39	9.5	87.83	918.54	71.6
05BSS-3		8	5	3	2.31	19.5	20.2	7.1	0.8	5.64	6.66	0.48
06BSS-3		9.525	6.35	5.72	3.28	33.5	34.6	8.2	1.3	10.24	14.94	1.16
08BSS-3		12.7	8.51	7.75	4.45	45.1	46.1	11.8	1.6	13.92	28.5	2.03
10BSS-3		15.875	10.16	9.65	5.08	52.7	54.1	14.7	1.7	16.59	40.02	2.77
12BSS-3		19.05	12.07	11.68	5.72	61.5	63.1	16	1.85	19.46	52.02	3.46
16BSS-3		25.4	15.88	17.02	8.28	99.8	101.2	21	4.15/3.1	31.88	96	8.13
20BSS-3		31.75	19.05	19.56	10.19	114.2	117.9	26.4	4.5/3.5	36.45	150	10.82
24BSS-3		38.1	25.4	25.4	14.63	150.1	154.6	33.2	6.0/4.8	48.36	255	20.1
28BSS-3		44.45	27.94	30.99	15.9	184.2	188.7	36.7	7.5/6.0	59.56	318	24.92
32BSS-3		50.8	29.21	30.99	17.81	183.2	188.2	42	7.0/6.0	58.55	402	31.56
40BSS-3		63.5	39.37	38.1	22.89	226.8	233.8	52.96	8.5/8.0	72.29	570	48.1
48BSS-3		76.2	48.26	45.72	29.24	281.6	289.4	63.8	12.0/10.0	91.21	900	75

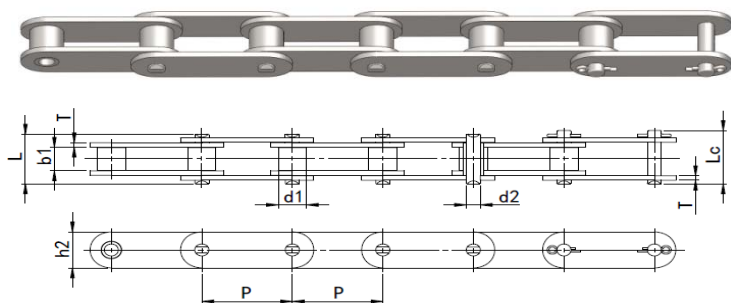
Double pitch roller chain



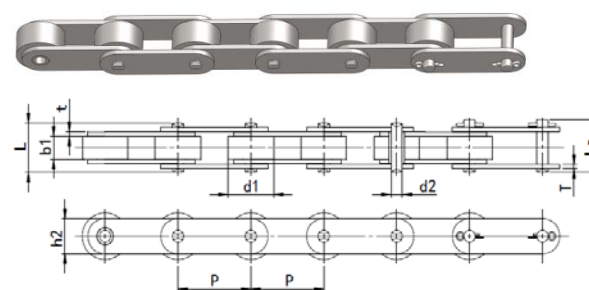
ZMIE Chain No.		Pitch	Roller diameter	Width between inner plates	Pin diameter	Pin length		Inner plate depth	Plate thickness	Ultimate tensile strength	Weight per meter
		P	d1 max	b1 min	d2 max	L max	Lc max	h2 max	t/T max	Q min	q
		mm	mm	mm	mm	mm	mm	mm	mm	KN	kg/m
208A-SS	2040SS	25.4	8.0	7.9	4.0	16.6	17.8	12.0	1.5	8.5	0.4
208B-SS		25.4	8.5	7.8	4.5	16.7	18.2	11.8	1.6	10.8	0.5
210A-SS	2050SS	31.8	10.2	9.4	5.1	20.7	22.2	15.0	2.0	13.3	0.7
210B-SS		31.8	10.2	9.7	5.1	19.5	20.9	14.7	1.7	13.4	0.7
212A-SS	2060SS	38.1	11.9	12.6	5.9	25.9	27.7	18.0	2.4	19.1	1.0
212B-SS		38.1	12.1	11.7	5.7	22.5	25.2	16.0	1.9	17.4	0.8
216A-SS	2080SS	50.8	15.9	15.8	7.9	32.7	36.5	24.0	3.3	34.0	1.7
216AH-SS		50.8	15.9	15.8	7.9	36.2	39.4	24.0	4.0	34.0	2.2

ZMIE Chain No.	Pitch	Roller diameter	Width between inner plates	Pin diameter	Pin length		Inner plate depth	Plate thickness	Ultimate tensile strength	Weight per meter	
	P	d1 max	b1 min	d2 max	L max	Lc max	h2 max	t/T max	Q min	q	
	mm	mm	mm	mm	mm	mm	mm	mm	KN	kg/m	
216B-SS	50.8	15.9	17.0	8.3	36.1	39.1	21.0	4.15/3.1	36.0	1.8	
220A-SS	2100SS	63.5	19.1	18.9	9.5	40.4	44.7	30.0	4.0	53.1	2.6
220B-SS		63.5	19.1	19.6	10.2	41.3	45	26.4	4.5/3.5	57.0	2.6
224A-SS	2120SS	76.2	22.2	25.2	11.1	50.3	54.3	35.7	4.8	76.2	4.1
224B-SS		76.2	25.4	25.4	14.6	53.4	57.8	33.2	6.0/4.8	96.0	4.7
228B-SS		88.9	27.9	31.0	15.9	65.1	69.5	36.7	7.5/6.0	120.0	6.2
232B-SS		101.6	29.2	31.0	17.8	66.0	71	42.0	7.0/6.0	150.0	6.7

Small roller type



Large roller type

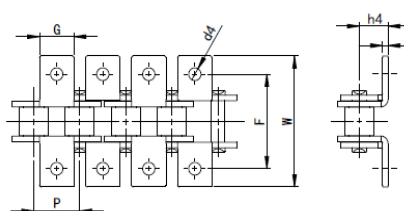
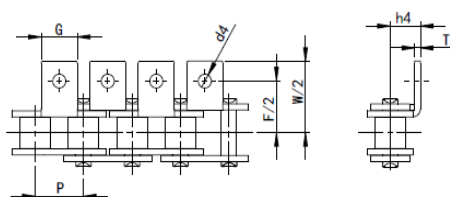


Stainless steel chain attachments

Short pitch stainless steel chain attachments

A1

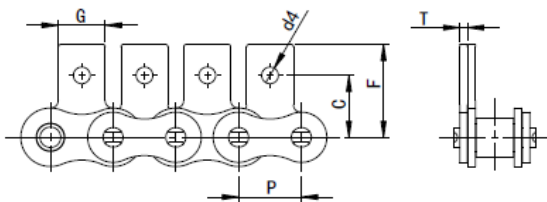
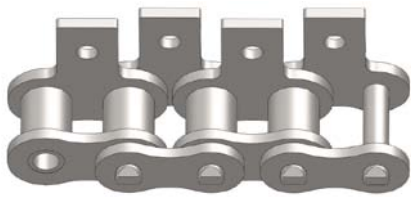
K1



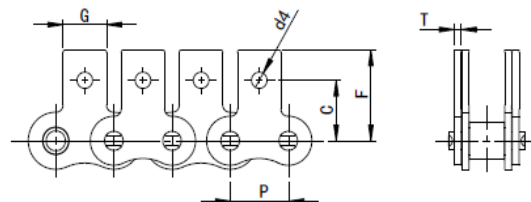
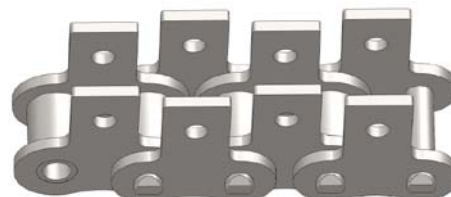
ZMIE Chain No.		P	G	F	W	T	h4	d4
		mm	mm	mm	mm	mm	mm	mm
08ASS	40SS	12.7	9.5	25.4	35.2	1.5	7.9	3.4
10ASS	50SS	15.875	12.7	31.75	46.2	2.03	10.3	5.5
12ASS	60SS	19.05	15.9	38.1	55.6	2.42	11.9	5.5
16ASS	80SS	25.4	19.1	50.8	64.8	3.25	15.9	6.8
20ASS	100SS	31.75	25.4	63.5	87.3	4	19.8	9.2
24ASS	120SS	38.1	28.6	76.2	108.5	4.8	23	9.8
28ASS	140SS	44.45	34.9	88.9	123	5.6	28.6	11.4
32ASS	160SS	50.8	38.1	101.6	142.8	6.4	31.8	13.1
06BSS		9.525	8	19.04	27	1.3	6.5	3.5
08BSS		12.7	9.5	25.4	36.4	1.6	8.9	4.5
10BSS		15.875	14.3	31.75	44.6	1.7	10.31	5.3
12BSS		19.05	16	38.1	52.4	1.85	13.46	6.4
16BSS		25.4	19.1	50.8	72.6	3.1	15.88	6.4

Short pitch stainless steel chain attachments

SA1



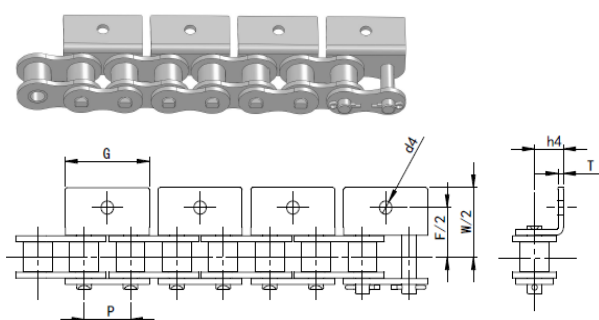
SK1



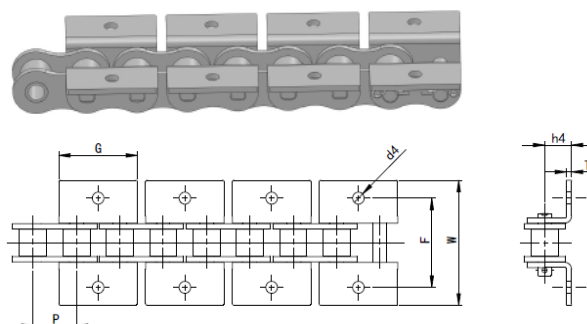
ZMIE Chain No.		P	G	C	F	T	d4
		mm	mm	mm	mm	mm	mm
08ASS	40SS	12.7	9.5	12.7	19.05	1.5	3.4
10ASS	50SS	15.875	12.7	15.9	25.25	2.03	5.5
12ASS	60SS	19.05	15.9	18.3	29.33	2.42	5.5
16ASS	80SS	25.4	19.1	24.6	34.7	3.25	6.8
20ASS	100SS	31.75	25.4	31.8	43.3	4	9.2
24ASS	120SS	38.1	28.6	36.5	51.6	4.8	9.8
28ASS	140SS	44.45	34.9	44.5	62	5.6	11.4
32ASS	160SS	50.8	38.1	50.8	69.85	6.4	13.1
06BSS		9.525	8	9.52	13.5	1.3	3.5
08BSS		12.7	9.5	13.35	18.9	1.6	4.3
10BSS		15.875	14.3	16.5	22.95	1.7	5.3
12BSS		19.05	16	21.45	28.6	1.85	6.4
16BSS		25.4	19.1	23.15	34	3.1	6.4

Short pitch stainless steel chain attachments

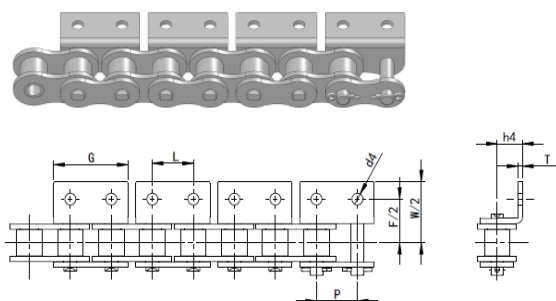
WA1



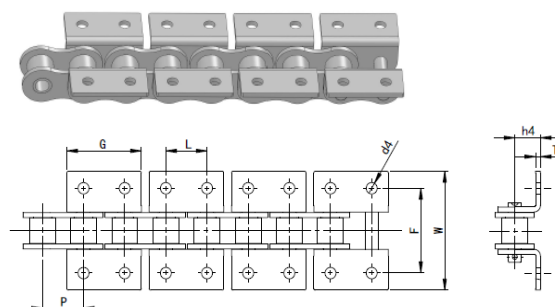
WK1



WA2



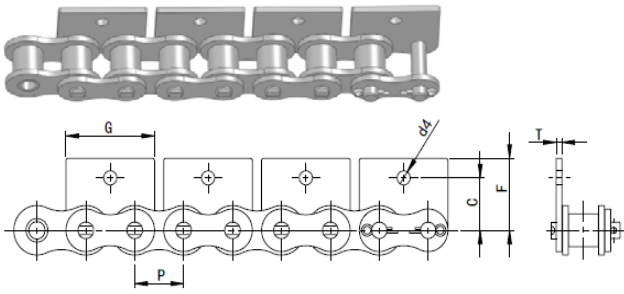
WK2



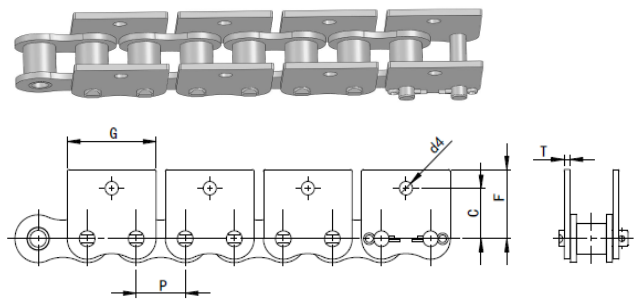
ZMIE Chain No.		P	G	L	F	W	T	h4	d4
		mm	mm	mm	mm	mm	mm	mm	mm
08ASS	40SS	12.7	23	12.7	25.4	35.6	1.5	7.9	3.4
10ASS	50SS	15.875	28.8	15.875	31.75	46.8	2.03	10.3	5.5
12ASS	60SS	19.05	34.65	19.05	38.1	56.4	2.42	11.9	5.5
16ASS	80SS	25.4	45.9	25.4	50.8	73.2	3.25	15.9	6.8
20ASS	100SS	31.75	57.65	31.75	63.5	89.8	4	19.8	9.2
08BSS		12.7	24	12.7	25.4	36.4	1.6	8.9	4.3
10BSS		15.875	29.58	15.875	31.75	44.6	1.7	10.31	5.3
12BSS		19.05	34.05	19.05	38.1	52.4	1.85	13.46	6.4
16BSS		25.4	46.4	25.4	50.8	72.6	3.1	15.88	6.4

Short pitch stainless steel chain attachments

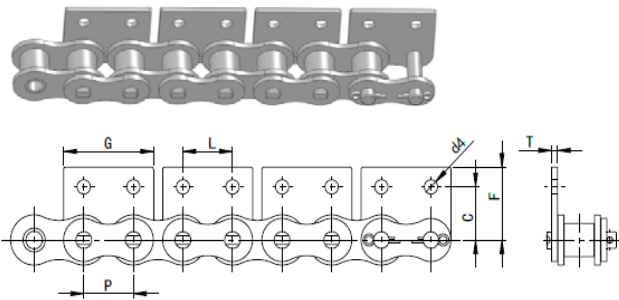
WSA1



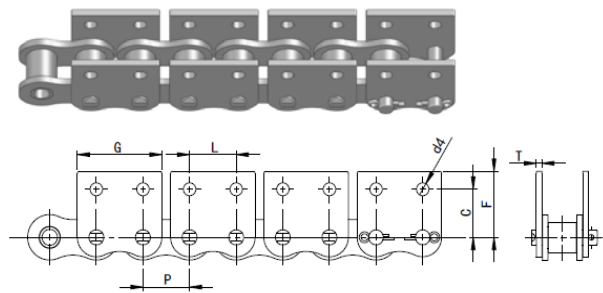
WSK1



WSA2

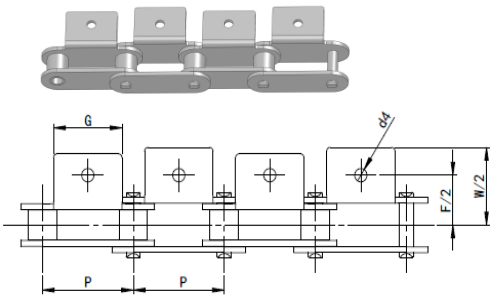
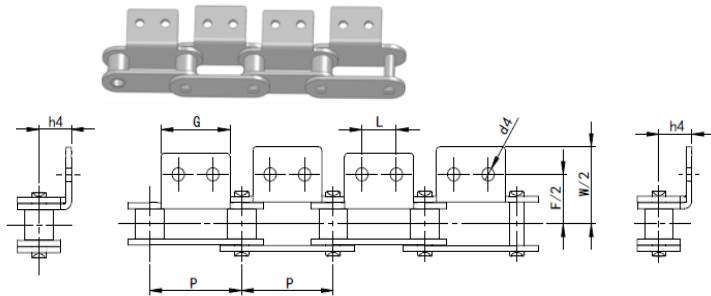
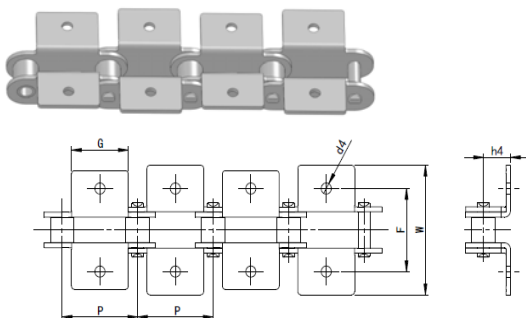
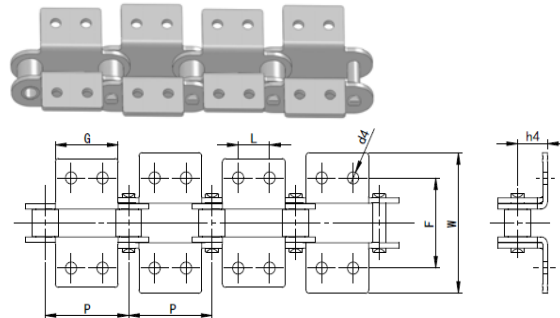


WSK2



ZMIE Chain No.		P	G	L	C	F	T	d4
		mm	mm	mm	mm	mm	mm	mm
08ASS	40SS	12.7	23	12.7	12.7	17.4	1.5	3.4
10ASS	50SS	15.875	28.8	15.875	15.9	23.05	2.03	5.5
12ASS	60SS	19.05	34.65	19.05	18.3	26.86	2.42	5.5
16ASS	80SS	25.4	45.9	25.4	24.6	35.45	3.25	6.8
20ASS	100SS	31.75	57.65	31.75	31.8	44	4	9.2
08BSS		12.7	23.3	12.7	13.35	18.9	1.6	4.5
10BSS		15.875	29.58	15.875	16.5	22.95	1.7	5.3
12BSS		19.05	34.05	19.05	21.45	28.6	1.85	6.4
16BSS		25.4	46.4	25.4	23.15	34	3.1	6.4

Double pitch stainless steel chain attachments

A1

A2

K1

K2


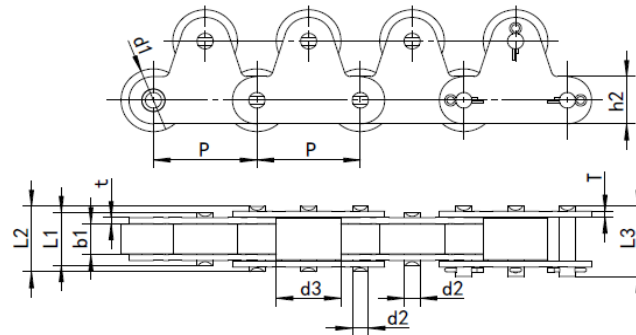
ZMIE Chain No.	P	G	L	F	W	h4	d4
	mm	mm	mm	mm	mm	mm	mm
C208A-SS C2040SS	25.4	19.1	9.5	25.4	39.6	9.1	3.4
C208AL-SS C2042SS							
C208B-SS	25.4	23.2	12.7	25.4	39.6	9.1	4.5
C208BL-SS							
C210ASS 2050SS	31.75	23.8	11.9	31.8	49	11.1	5.5
C210ALSS C2052SS							
C212A-SS C2060SS	38.1	28.6	14.3	42.9	67.8	14.7	5.5
C212AL-SS C2062SS							
C212AH-SS C2060HSS	38.1	28.6	14.3	42.9	67.8	14.7	5.5
C212AHL-SS C2062HSS							
C216A-SS C2080SS	50.8	38.1	19.1	55.6	87.8	19.1	6.8
C216AL-SS C2082SS							
C216AH-SS C2080HSS	50.8	38.1	19.1	55.6	87.8	19.1	6.8
C216AHL-SS C2082HSS							

C208A-SS	C2040SS	25.4	19.1	9.5	11.1	13.5	20.5	3.4	5.5
C208AL-SS	C2042SS								



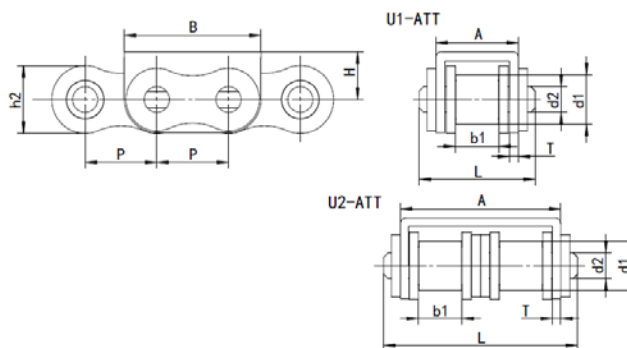
C208B-SS		25.4	23.2	12.7	11.1	13.5	20.5	4.5	5.5
C208BL-SS									
C210ASS	2050SS	31.75	23.8	11.9	14.3	15.9	25	5.5	6.6
C210ALSS	C2052SS								
C212A-SS	C2060SS	38.1	28.6	14.3	17.5	19.1	32.9	5.5	9.2
C212AL-SS	C2062SS								
C212AH-SS	C2060HSS	38.1	28.6	14.3	17.5	19.1	32.9	5.5	9.2
C212AHL-SS	C2062HSS								
C216A-SS	C2080SS	50.8	38.1	19.1	22.2	25.4	43.5	6.6	11
C216AL-SS	C2082SS								
C216AH-SS	C2080HSS	50.8	38.1	19.1	22.2	25.4	43.5	6.6	11
C216AHL-SS	C2082HSS								
C220A-SS	C2100SS	63.5	47.6	23.8	28.6	31.8	50.4	8.4	13
C220AL-SS	C2102SS								
C220AH-SS	C2100HSS	63.5	47.6	23.8	28.6	31.8	50.4	8.4	13
C220AHL-SS	C2102HSS								

Double pitch stainless steel conveyor chain with top roller



ZMIE Chain No.	Pitch	Width between inner plates	Roller diameter	Pin diameter	Pin length			Inner plate depth	Plate thickness	Top roller diameter
	P	b1 min	d1 max	d2 max	L1 max	L2 max	L3 max	h2 max	t/T max	d3 max
	mm	mm	mm	mm	mm	mm	mm	mm	mm	mm
2040-TRSS	25.4	7.85	7.95	3.96	13.5	16.6	17.8	12	1.5	15.88
2042-TRSS	25.4	7.85	15.88	3.96	13.5	16.6	17.8	12	1.5	15.88
2050-TRSS	31.75	9.4	10.16	5.08	16.5	20.7	22.2	15	2	19.05
2052-TRSS	31.75	9.4	19.05	5.08	16.5	20.7	22.2	15	2	19.05
2060-TRSS	38.1	12.57	11.91	5.94	21	25.9	27.7	18	2.4	22.23
2062-TRSS	38.1	12.57	22.23	5.94	21	25.9	27.7	18	2.4	22.23
2080-TRSS	50.8	15.75	15.88	7.92	26.2	32.7	35	24	3.2	28.58
2082-TRSS	50.8	15.75	28.58	7.92	26.2	32.7	35	24	3.2	28.58
2100-TRSS	63.5	18.9	19.05	9.53	32.3	40.4	44.7	30	4	39.67
2102-TRSS	63.5	18.9	39.67	9.53	32.3	40.4	44.7	30	4	39.67

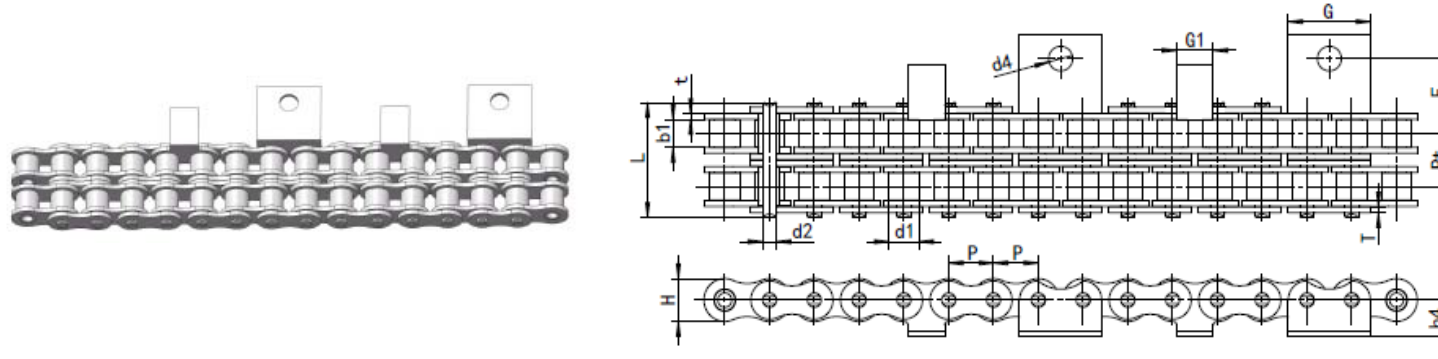
stainless steel conveyor chain with rubber blocks



ZMIE Chain No.	Pitch	Width between inner plates	Roller diameter	Pin diameter	Pin length	Inner plate depth	Attachment dimension				Ultimate tensile strength
	P	b1 min	d1 max	d2 max	L max	h2 max	A	B	H	T max	Q min
	mm	mm	mm	mm	mm	mm	mm	mm	mm	mm	KN
08B-U1SS	12.7	7.75	8.51	4.45	20	11.8	14.6	24.2	8.3	1.6	12.6
08B-U2SS	12.7	7.75	8.51	4.45	34.3	11.8	28.4	24.2	8.3	1.5	22.4
10B-U1SS	15.875	9.65	10.16	5.08	23.2	14.7	16.8	30	11.3	1.6	13.3
10B-U2SS	15.875	9.65	10.16	5.08	39.7	14.7	33.3	30	11.3	1.5	31.15
12B-U1SS	19.05	11.68	12.07	5.72	25.7	16	19.6	36	13	1.85	20.3
12B-U2SS	19.05	11.68	12.07	5.72	45.3	16	39.1	36	12	1.85	40.46
16B-U1SS	25.4	17.02	15.88	8.28	39.7	21	29.05	49	15.4	2.4	40.6
16B-U2SS	25.4	17.02	15.88	8.28	71.7	21	60.9	49	16.2	2.4	74.2
20B-U1SS	31.75	19.56	19.05	10.19	48	26.4	36	57	21	3.5	59.5

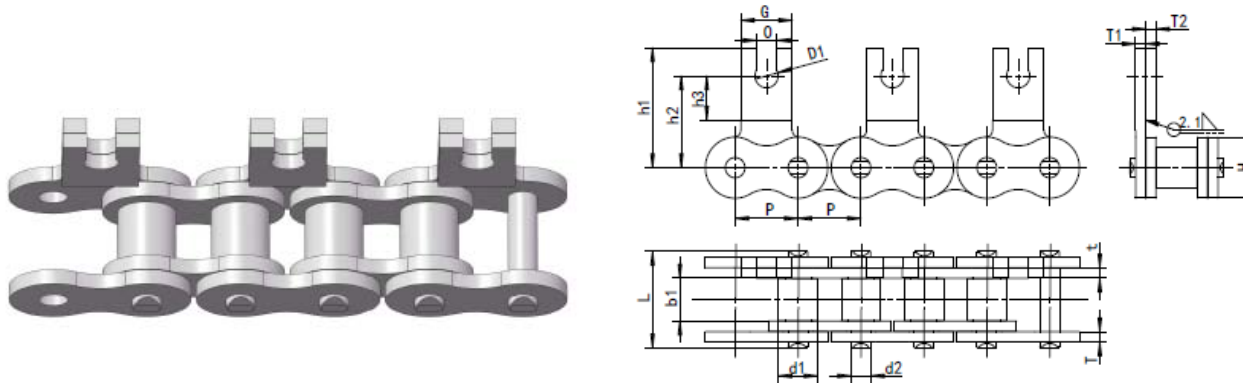
Special food industry stainless steel chain

Stainless steel conveyor chain for Jelly Machine



ZMIE Chain No.		Roller diameter	Width between inner plates	Pin diameter	Pin length	Plate thickness	Attachment dimensions				
		d1 max	b1 min	d2 max	L max	T max	h1	h2	H	F	G
		mm	mm	mm	mm	mm	mm	mm	mm	mm	mm
10AHSS	15.875	10.16	9.53	5.08	24.5	15.09	12.5	8.5	21.5	31	13
10ASS-2	15.875	10.16	9.53	5.08	47	3	10.3	8.2	21.5	31	13

Stainless steel conveyor chain for Popsicle Machine



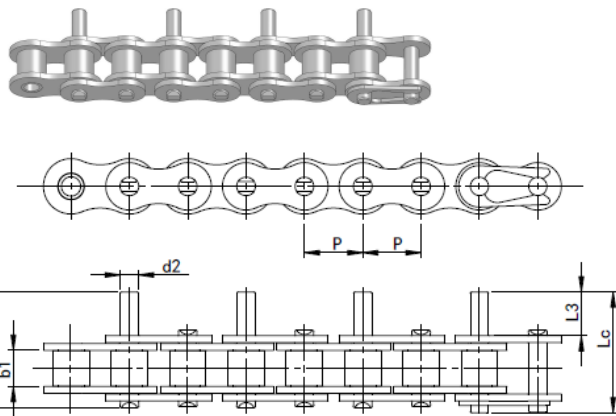
ZMIE Chain No.	Pitch	Roller diameter	Width between inner plates	Pin diameter	Pin length	Inner plate depth	Plate thickness
	P	d1 max	b1 min	d2 max	L max	H max	T max
	mm	mm	mm	mm	mm		mm
60HSS	19.05	11.91	12.57	5.94	28.3	18	3

Attachment dimensions

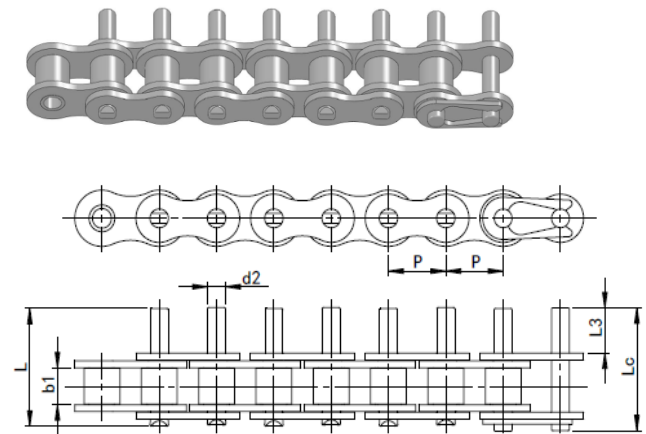
h1	h2	h3	D1	T1	T2	G	O
mm	mm	mm	mm	mm	mm	mm	mm
35.3	27	23	7	3	3	15.6	6

Stainless steel chain with extended pins

D1



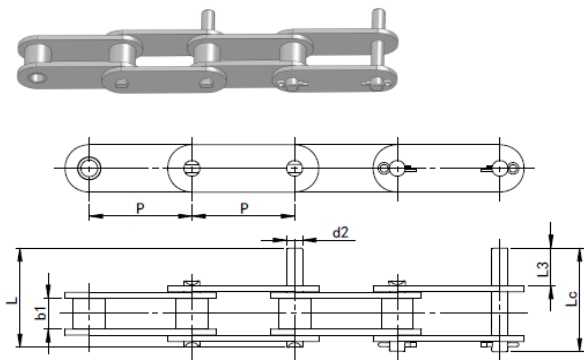
D3



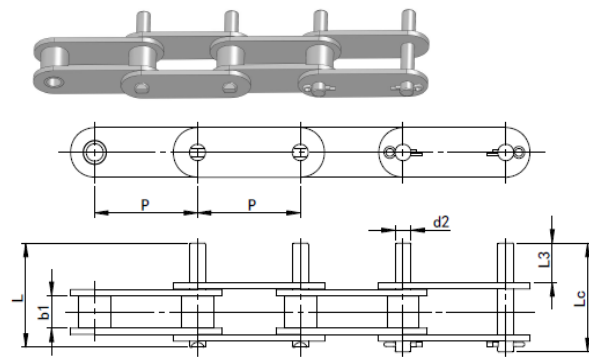
ZMIE Chain No.		P	b1	d2	L3	L	Lc
		mm	mm	mm	mm	mm	mm
06CSS	35SS	9.525	4.77	3.58	9.5	20.8	21.6
08ASS	40SS	12.7	7.85	3.96	9.5	25.1	26.2
10ASS	50SS	15.875	9.4	5.08	11.9	31.3	33.1
12ASS	60SS	19.05	12.57	5.94	14.3	38.6	40.6
16ASS	80SS	25.4	15.75	7.92	19.1	50.3	53.3
20ASS	100SS	31.75	18.9	9.53	23.8	61.8	66.1
24ASS	120SS	38.1	25.22	11.1	28.6	76.4	80.4
28ASS	140SS	44.45	25.22	12.7	33.3	84.8	89.4
32ASS	160SS	50.8	31.55	14.27	38.1	99.6	104.4
08BSS		12.7	7.75	4.45	9.5	25.1	26.6
10BSS		15.875	9.65	5.08	11.9	30.1	31.5
12BSS		19.05	11.68	5.72	14.3	35.4	37.1
16BSS		25.4	17.02	8.28	19.1	53	54.3

Double pitch stainless steel chain attachments

D1 extended pin



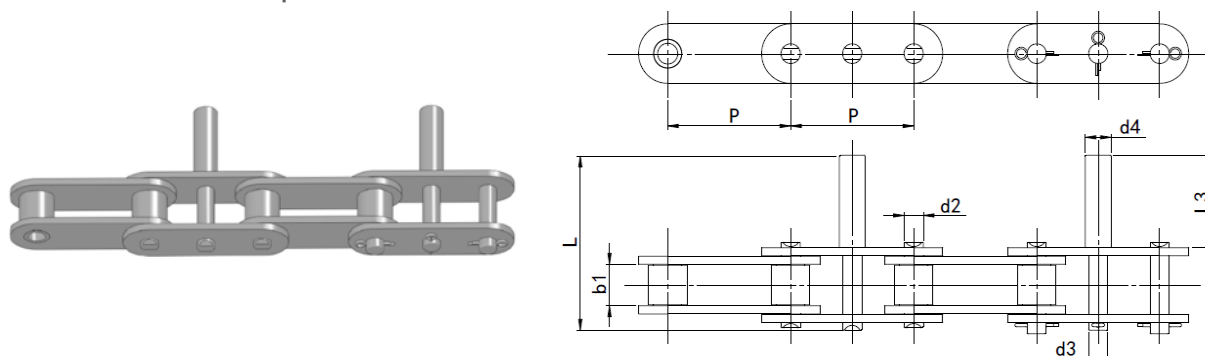
D3 extended pin



ZMIE Chain No.		P	b1	d2	L3	L	Lc
		mm	mm	mm	mm	mm	mm
C208A-SS	C2040SS	25.4	7.85	3.96	9.5	25.1	26.2
C208AL-SS	C2042SS						
C210ASS	2050SS	31.75	9.4	5.08	11.9	31.3	33.1
C210ALSS	C2052SS						
C212A-SS	C2060SS	38.1	12.57	5.94	14.3	38.6	40.6
C212AL-SS	C2062SS						
C212AH-SS	C2060HSS	38.1	12.57	5.94	14.3	42	43.8
C212AHL-SS	C2062HSS						
C216A-SS	C2080SS	50.8	15.75	7.92	19.1	50.3	53.3
C216AL-SS	C2082SS						
C216AH-SS	C2080HSS	50.8	15.75	7.92	19.1	53.5	55
C216AHL-SS	C2082HSS						
C220A-SS	C2100SS	63.5	18.9	9.53	23.8	61.8	66.1
C220AL-SS	C2102SS						
C220AH-SS	C2100HSS	63.5	18.9	9.53	23.8	65	68.3
C220AHL-SS	C2102HSS						
C224AH-SS	C2120HSS	76.2	25.22	11.1	28.6	79.6	83.6
C224AHL-SS	C2122HSS						
C232AH-SS	C2160HSS	101.6	31.75	14.27	38.1	103	107.8
C232AHL-SS	C2162HSS						

Double pitch stainless steel chain attachments

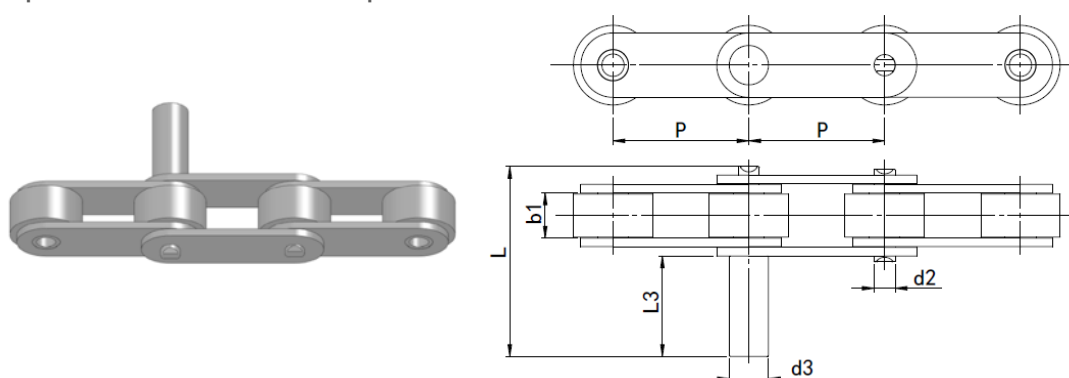
D5 extended pin



ZMIE Chain No.	P	b1	d2	d3	d4	L3	L
	mm	mm	mm	mm	mm	mm	mm
C212AH-D5	38.1	12.57	5.94	5.94	8	25	53
C212AHF4	38.1	12.57	5.94	8.08	10	35	63
C212AHF7	38.1	12.57	5.94	5.94	12.7	41.2	69.2
C212AHF8	38.1	12.57	5.94	5.94	14.28	41.2	69.2

Double pitch stainless steel chain attachments

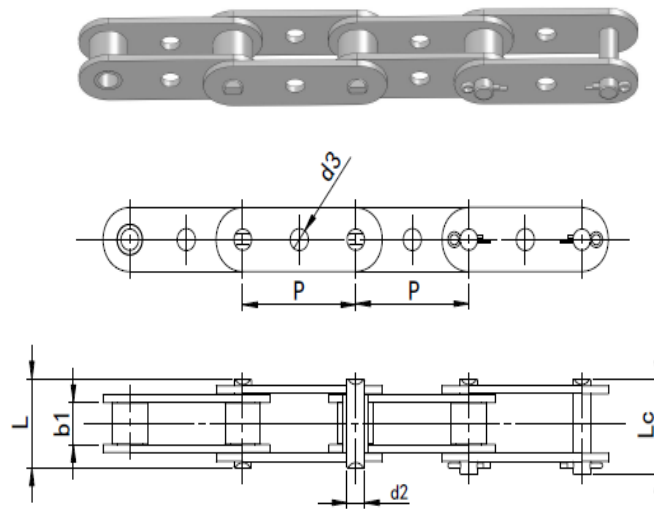
special extended pin



ZMIE Chain No.	P	b1	d2	d3	L3	L
	mm	mm	mm	mm	mm	mm
C2052DF1	31.75	9.4	5.08	7.5	14.15	33.6
C2010F4	31.75	9.4	5.08	11	34	53.7

Double pitch stainless steel chain attachments

GK1

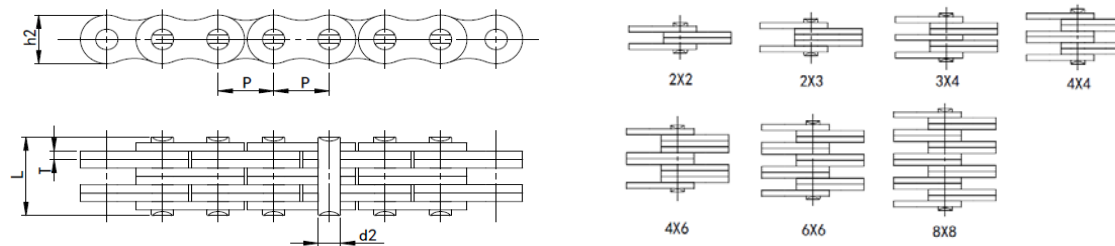


ZMIE Chain No.		P	b1	d2	d3	L	Lc
		mm	mm	mm	mm	mm	mm
C208A-SS	C2040SS	25.4	7.85	3.96	4.1	16.6	18.8
C208AL-SS	C2042SS						
C210A-SS	C2050SS	31.75	9.4	5.08	5.1	20.7	23.3
C210AL-SS	C2052SS						
C212A-SS	C2060SS	38.1	12.57	5.94	6.1	25.9	28.3
C212AL-SS	C2062SS						
C212AH-SS	C2060HSS	38.1	12.57	5.94	6.1	29.2	31.6
C212AHL-SS	C2062HSS						
C216A-SS	C2080SS	50.8	15.75	7.92	8.1	32.7	36.5
C216AL-SS	C2082SS						
C216AH-SS	C2080HSS	50.8	15.75	7.92	8.1	36.2	39.4
C216AHL-SS	C2082HSS						
C220A-SS	C2100SS	63.5	18.9	9.53	10.1	40.4	44.7
C220AL-SS	C2102SS						
C220AH-SS	C2100HSS	63.5	18.9	9.53	10.1	43.6	46.9
C220AHL-SS	C2102HSS						

Leaf stainless steel chain

LH (BL) series

leaf stainless steel chain for sky stacker crane



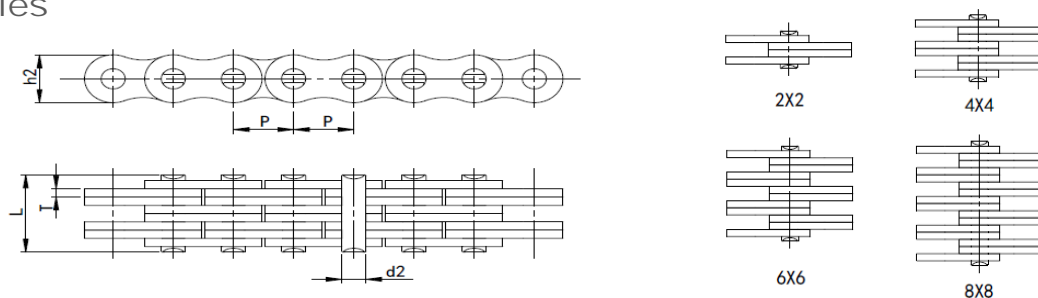
ZMIE Chain No.	Pitch	Chain lacing	Plate depth	Plate thickness	Pin diameter	Pin length	Ultimate tensile strength	Weight per meter
	P		h2 max	T max	d2 max	L max	Q min	q
	mm		mm	mm	mm	mm	KN	kg/m
LH0822-SS	BL422SS	2x2				11.05	13.32	0.64
LH0823-SS	BL423SS	2x3				13.16	13.32	0.8
LH0834-SS	BL434SS	3x4				17.4	20.04	1.12
LH0844-SS	BL444SS	4x4	12.7	2.08	5.09	19.51	26.7	1.28
LH0846-SS	BL446SS	4x6				23.75	26.7	1.6
LH0866-SS	BL466SS	6x6				27.99	40.02	1.92
LH0888-SS	BL488SS	8x8				36.45	53.4	2.56

LH1022-SS	BL522SS	15.9	2x2	15.1	2.4	6.0	12.96	20.0	0.9
LH1023-SS	BL523SS		2x3				15.37	20.0	1.1
LH1034-SS	BL534SS		3x4				20.32	29.3	1.5
LH1044-SS	BL544SS		4x4				22.78	40.0	1.8
LH1046-SS	BL546SS		4x6				27.84	40.0	2.2
LH1066-SS	BL566SS		6x6				32.69	60.1	2.7
LH1088-SS	BL588SS		8x8				42.57	80.0	3.5
LH1222-SS	BL622SS						2x2		
LH1223-SS	BL623SS		2x3				20.73	29.34	1.8
LH1234-SS	BL634SS		3x4				24.43	45.36	2.5
LH1244-SS	BL644SS	19.05	4x4	18.11	3.3	7.94	30.78	28.74	2.9
LH1246-SS	BL646SS		4x6				37.49	28.74	3.6
LH1266-SS	BL666SS		6x6				44.2	88.08	4.3
LH1288-SS	BL688SS		8x8				57.61	117.42	5.8
LH1622-SS	BL822SS	25.4	2x2	24.1	4.1	9.5	21.34	50.7	2.2
LH1623-SS	BL823SS		2x3				25.48	50.7	2.7
LH1634-SS	BL834SS		3x4				33.76	77.4	3.8
LH1644-SS	BL844SS		4x4				37.9	101.4	4.3
LH1646-SS	BL846SS		4x6				46.18	101.4	5.4
LH1666-SS	BL866SS		6x6				54.46	152.2	6.5
LH1688-SS	BL888SS		8x8				71.02	202.9	8.6

LH2022-SS	BL1022SS		2x2				25.37	69.36	3.4
LH2023-SS	BL1023SS		2x3				30.33	39.36	4.3
LH2034-SS	BL1034SS		3x4				40.23	109.44	6
LH2044-SS	BL1044SS	31.75	4x4	30.18	4.9	11.11	45.19	138.78	6.9
LH2046-SS	BL1046SS		4x6				55.09	138.78	8.6
LH2066-SS	BL1066SS		6x6				65	208.2	10.3
LH2088-SS	BL1088SS		8x8				84.81	277.56	13.8
LH2422-SS	BL1222SS	38.1	2x2	36.2	5.8	12.7	29.62	90.7	4.6
LH2423-SS	BL1223SS		2x3				35.43	90.7	5.8
LH2434-SS	BL1234SS		3x4				47.07	146.8	8.1
LH2444-SS	BL1244SS		4x4				52.88	181.5	9.3
LH2446-SS	BL1246SS		4x6				64.52	181.5	11.6
LH2466-SS	BL1266SS		6x6				76.15	272.2	13.9
LH2488-SS	BL1288SS		8x8				99.42	363.0	18.6
LH2822-SS	BL1422SS		2x2				33.55	114.78	6.1
LH2823-SS	BL1423SS		2x3				40.16	114.78	7.6
LH2834-SS	BL1434SS		3x4				53.37	189.48	10.6
LH2844-SS	BL1444SS	44.45	4x4	42.24	6.55	14.29	59.97	229.56	12.2
LH2846-SS	BL1446SS		4x6				73.18	229.56	15.2
LH2866-SS	BL1466SS		6x6				86.39	346.98	18.2
LH2888-SS	BL1488SS		8x8				112.8	459.06	24.3

LH3222-SS	BL1622SS	50.8	2x2	48.3	7.5	17.5	39.01	173.5	8.0
LH3223-SS	BL1623SS		2x3				46.58	173.5	10.0
LH3234-SS	BL1634SS		3x4				61.72	264.2	14.0
LH3244-SS	BL1644SS		4x4				69.2	347.0	16.0
LH3246-SS	BL1646SS		4x6				84.43	357.0	20.0
LH3266-SS	BL1666SS		6x6				99.57	514.4	24.0
LH3288-SS	BL1688SS		8x8				129.84	693.9	32.0
LH4022-SS	BL2022SS		2x2				51.74	260.22	15.8
LH4023-SS	BL2023SS		2x3				61.7	260.22	19.8
LH4034-SS	BL2034SS		3x4				81.61	389.64	27.7
LH4044-SS	BL2044SS	63.5	4x4	60.33	9.91	23.81	91.57	520.44	31.6
LH4046-SS	BL2046SS		4x6				111.48	520.44	39.5
LH4066-SS	BL2066SS		6x6				131.39	780.66	47.7
LH4088-SS	BL2088SS		8x8				171.22	1040.88	63.2

LL series

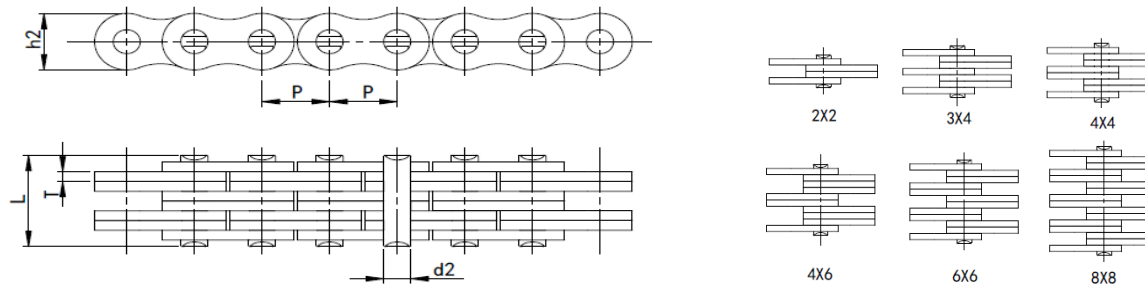


ZMIE Chain No.	Chain lacing	Plate depth	Plate thickness	Pin diameter	Pin length	Ultimate tensile strength	Weight per meter	
		h2 max	T max	d2 max	L max	Q min	q	
		mm	mm	mm	mm	KN	kg/m	
LL0822					7.6	10.68	0.35	
LL0844	12.7	2x2	10.2	1.3	4.45	13	18.66	0.69
LL0866					18.2	26.7	1	
LL0888					23.5	37.32	1.33	
LL1022	15.9	2x2	13.7	1.6	5.1	9.2	13.38	0.5
LL1044							26.7	1.1
LL1066							40.02	1.6
LL1088							53.4	2.1
LL1222					10.4	17.34	0.73	
LL1244	19.05	2x2	16	1.85	5.72	17.9	34.68	1.44
LL1266					25.4	52.02	2.15	
LL1288					32.9	69.36	2.84	

LL1622	25.4	2x2	21.0	3.1	8.3	17.2	58.6	1.5
LL1644							86.4	2.9
LL1666							120	4.3
LL1688							172.8	5.7
LL2022						20.1	57	2.33
LL2044	31.75	2x2	26.4	3.7	10.19	33.8	114	4.4
LL2066							171	6.79
LL2088							228	8.75
LL2422							102	4.5
LL2444	38.1	2x2	33.4	5.0	14.6	28.4	204	8.2
LL2466							306	12.2
LL2488							408	16.3
LL2822								
LL2844	44.45	2x2	37.08	6	15.9	56.4	240	9.9
LL2866							360	14.6
LL2888							480	19.4
LL3222							156	5.8
LL3244	50.8	2x2	42.0	6.0	17.8	33.2	312	11.4
LL3266							468	16.9
LL3288							630	24.0

LL4022						44.7	216	10.3
LL4044	63.5	2x2	52.76	8.25	22.89	77.9	468	20
LL4066						111.1	648	29.5
LL4088						145.5	936	39.1
LL4822	76.2	2x2	63.9	10.3	29.2	56.1	336	18.5
LL4844							672	35.7
LL4866							700.8	53.0
LL4888							1344	70.4

AL series

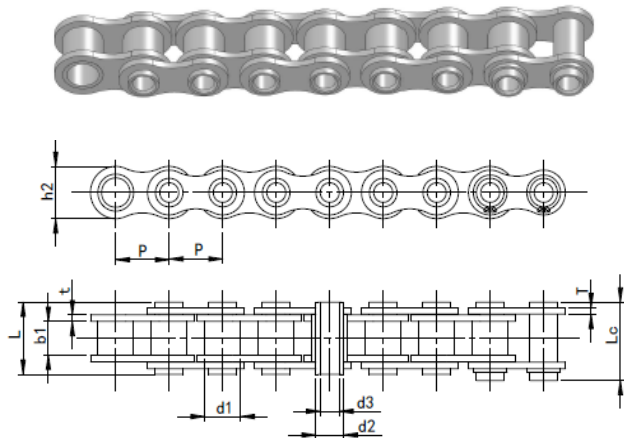


ZMIE Chain No.		Chain lacing	Plate depth	Plate thickness	Pin diameter	Pin length	Ultimate tensile strength	Weight per meter
			h2 max	T max	d2 max	L max	Q min	q
			mm	mm	mm	mm	KN	kg/m
AL322	9.5	2X2	7.7	1.3	3.6	6.8	5.4	0.23
AL422	12.7	2X2	10.4	1.5	4.0	7.9	8.46	0.4
AL444							16.92	0.7
AL466							25.38	1.1
AL522	15.875	2X2	12.8	2.063	5.08	10.3	13.2	0.61
AL534		3X4				17	19.8	1.1
AL544		4X4				18.9	26.4	1.19
AL566		6X6				26.9	39.6	1.79

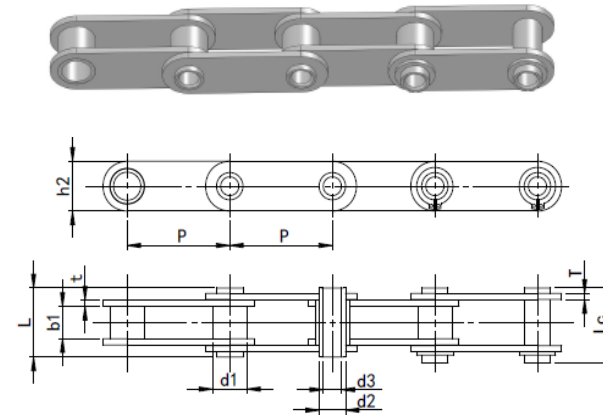
AL622							22.2	0.9
AL644	19.1	2X2	15.6	2.4	5.9	12.4	38.4	1.7
AL666							60.6	2.5
AL822							2X2	16
AL844	25.4	4X4	20.5	3.25	7.92	29.4	68.04	3
AL866		6X6				42.5	102	4.46
AL1022							53	2.4
AL1044	31.8	2X2	25.6	4.0	9.5	19.6	106.2	4.7
AL1066							159	7.0
AL1222							2X2	24.3
AL1244	38.1	4X4	30.5	4.8	11.1	43.8	152.4	7.05
AL1266		6X6				63	228.6	10.44
AL1444	44.5	4X4	36.4	5.6	12.6	51.3	196.62	10.3
AL1466							335.4	15.2
AL1644	50.8	4X4	41.6	6.4	14.21	58.06	282.6	12.98
AL1666		6X6					84.46	423.6

Hollow pin stainless steel chain

Type A fixed bush



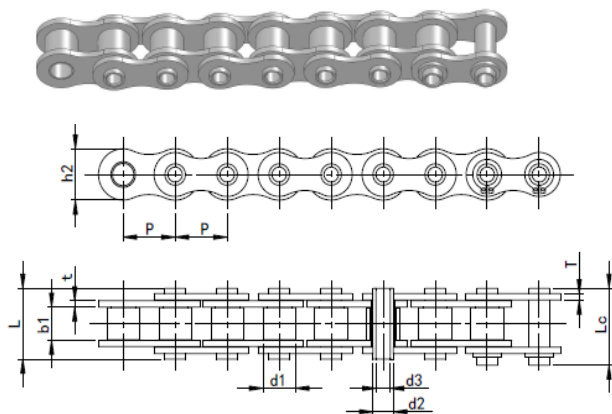
Type B straight side



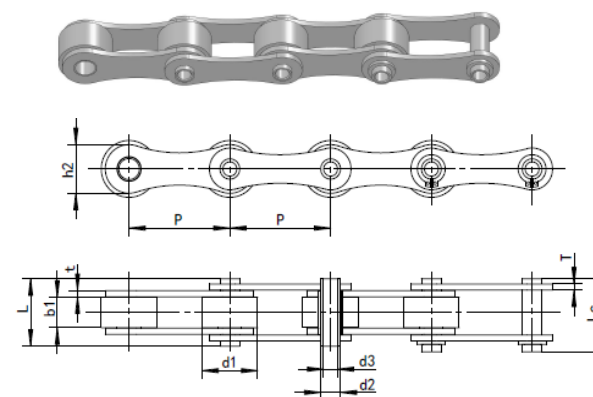
ZMIE Chain No.		Bush diameter	Width between inner plates	Pin diameter		Pin length		Inner plate depth	Plate thickness	Ultimate tensile strength	Weight per meter	Type
		d1 max	b1 min	d2 max	d3 min	L max	Lc max	h2 max	t/T max	Q min	q	
		mm	mm	mm	mm	mm	mm	mm	mm	KN	kg/m	
08BHPF-SS	12.7	8.51	7.8	6.55	4.5	16.4	17.6	11.8	1.6/1.3	6.66	0.6	A
40HP-SS	12.7	7.95	7.9	5.63	4.0	16.5	17.6	12	1.5	6.6	0.5	A
50HP-SS	15.9	10.16	9.4	7.03	5.1	20.7	21.9	15.09	2.0	12	0.9	A
60HP-SS	19.1	11.91	12.7	8.31	6.0	25.8	26.8	18	2.4	14.4	1.3	A

ZMIE Chain No.		Bush diameter	Width between inner plates	Pin diameter		Pin length		Inner plate depth	Plate thicknes s	Ultimate tensile strength	Weight per meter	Type
		d1 max	b1 min	d2 max	d3 min	L max	Lc max	h2 max	t/T max	Q min	q	
		mm	mm	mm	mm	mm	mm	mm	mm	KN	kg/m	
60HPF1-SS	19.1	11.91	12.7	8.31	5.0	25.5	26.8	18	2.4	16.8	1.4	A
80HP-SS	25.4	15.88	15.8	11.4	8.1	32.5	33.8	24	3.3	30	2.3	A
C2040HP-SS	25.4	7.95	7.9	5.63	4.0	16.5	17.6	12	1.5	6.6	0.5	B
C2050HP-SS	31.8	10.16	9.4	7.22	5.1	20.5	21.8	15	2.0	12.24	0.8	B
C2060HP-SS	38.1	11.91	12.7	8.31	6.0	25.8	26.8	17	2.4	14.4	1.0	B
C2080HP-SS	50.8	15.88	15.8	11.4	8.1	32.5	33.8	24	3.3	30	1.8	B
HP50F1-SS	50.0	26	14.5	20	14.7	35.3	36.2	40	3.1	18	4.0	B

Type A speed roller

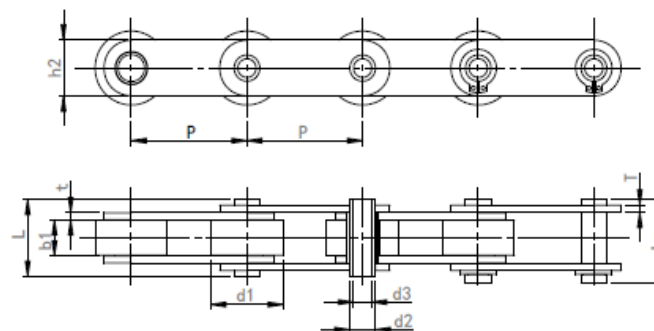
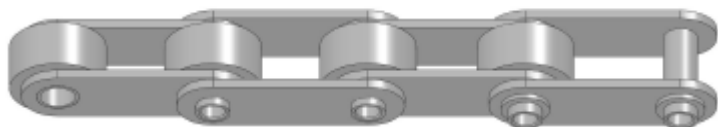


Type B



ZMIE Chain No.		Roller diameter	Width between inner plates	Pin diameter		Pin length		Inner plate depth	Plate thickness	Ultimate tensile strength	Weight per meter	Type
		d1 max	b1 min	d2 max	d3 min	L max	Lc max	h2 max	t/T max	Q min	q	
		mm	mm	mm	mm	mm	mm	mm	mm	mm	KN	kg/m
10BHB-SS	15.875	10.16	9.65	5.94	4.04	19.3	20.6	14.7	1.7	10.2	0.86	A
12BHP-SS	19.05	12.07	11.68	6.5	4	21.6	22.8	15.9	1.85	14.16	1.09	A
60HB-SS	19.05	11.91	12.7	7	5.01	25.5	26.6	18	2.42	12	1.35	A
HP35-SS	35	20	16	13.35	10.2	30.4	31.6	26.3	2.5	14.11	2.02	A
HP50F2-SS	50	31	15	13.2	10.2	36.5	38	25	4	24	3.4	B
HB38.1-SS	38.1	20	8	8	5.3	19.6	20.7	17.3	2.03	15	0.98	B
HB50.8-SS	50.8	30	10.5	11.4	8.2	27.4	28.6	26	3.1	30	2.56	B
HB63-SS	63	30	10	11.4	8.1	26.7	28.1	26.5	3.1	30	2.07	B
HB100-SS	100	30	10.5	11.4	8.2	27.4	28.6	26	3.1	30	1.56	B

double pitch

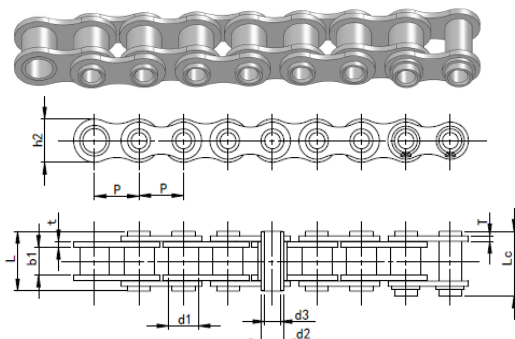


ZMIE Chain No.		Roller diameter	Width between inner plates	Pin diameter		Pin length		Inner plate depth	Plate thickness	Ultimate tensile strength	Weight per meter
		d1 max	b1 min	d2 max	d3 min	L max	Lc max	h2 max	t/T max	Q min	q
		mm	mm	mm	mm	mm	mm	mm	mm	KN	kg/m
C2042HP-SS	25.4	15.88	7.85	5.63	4	16.5	17.6	12	1.5	6.6	0.78
C2052HP-SS	31.75	19.05	9.53	7.22	5.12	20.5	21.8	15	2.03	12.24	1.25
C2062HP-SS	38.1	22.23	12.7	8.31	6	25.8	26.8	17	2.42	14.4	1.72
C2082HP-SS	50.8	28.58	15.75	11.4	8.05	32.4	33.8	24	3.25	30	2.82
C2052HPF1-SS	31.75	19.05	9.4	7.03	5.12	20	21.5	15.3	1.85	9	1.21
C2042HHP-SS	25.4	15.88	7.85	5.63	4	18.8	19.9	12	2.03	6.6	0.95
C2052HHP-SS	31.75	19.05	9.53	7.22	5.12	22.1	23.4	15	2.42	12.24	1.44

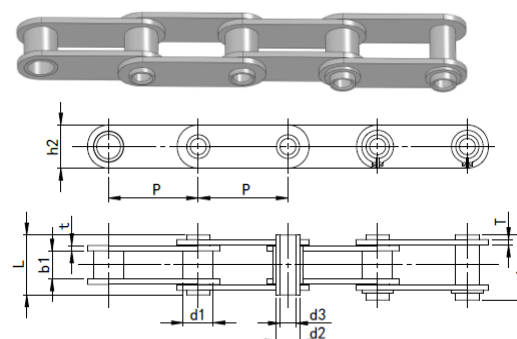
ZMIE Chain No.		Roller diameter	Width between inner plates	Pin diameter		Pin length		Inner plate depth	Plate thickness	Ultimate tensile strength	Weight per meter
		d1 max	b1 min	d2 max	d3 min	L max	Lc max	h2 max	t/T max	Q min	q
		mm	mm	mm	mm	mm	mm	mm	mm	KN	kg/m
C2062HHP-SS	38.1	22.23	12.7	8.31	6	29.2	30.2	17	3.25	14.4	1.99
C2082HHP-SS	50.8	28.58	15.75	11.4	8.05	36.2	37.6	24	4	30	3.26
HP40-SS	40	22	8.75	9	6	23	24.2	18	2.5	12	1.49
HP50-SS	50	31	14.5	13.2	10.4	31.1	32.5	25	3.1	18	3.29
HP50F4-SS	50	31	15	13.2	10.2	36.5	38	25	4	24	3.73
63HPF1-SS	63	40	15	16	12.1	35	36.2	28.5	4	30	4.2
DH4202HP-SS	50.8	31.8	15	14	10.1	36.3	39	26	3.8	25.2	3.75
DH4203HP-SS	76.2	31.8	15	14	10.1	36.3	39	26	3.8	25.2	3.01
DH42035HP-SS	88.9	31.8	15	14	10.1	36.3	39	26	3.8	25.2	2.79
DH4204HP-SS	101.6	31.8	15	14	10.1	36.3	39	26	3.8	25.2	2.63
DH8403HP-SS	76.2	47.6	19	19.05	13.6	43.8	46.3	39	5.1/3.8	50.58	6.81
DH8404HP-SS	106.1	47.6	19	19.05	13.6	43.8	46.3	39	5.1/3.8	50.58	5.78
DH8406HP-SS	152.4	47.6	19	19.05	13.6	43.8	46.3	39	5.1/3.8	50.4	5.18

standard hollow pin chain

Type A



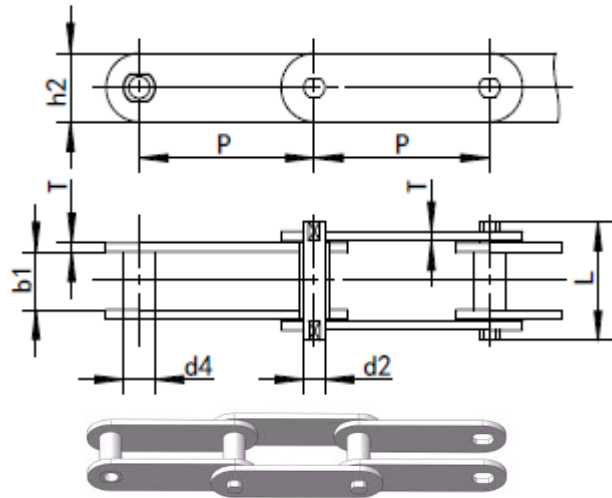
Type B



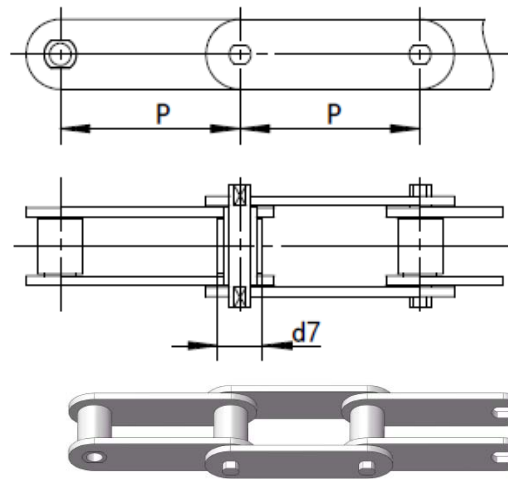
ZMIE Chain No.	Pitch	Roller diameter	Width between inner plates	Pin diameter		Pin length		Inner plate depth	Plate thickness	Ultimate tensile strength	Weight per meter	Type
		d1 max	b1 min	d2 max	d3 min	L max	Lc max	h2 max	t/T max	Q min	q	
		mm	mm	mm	mm	mm	mm	mm	mm	KN	kg/m	
08BHPF2-SS	12.7	8.51	13.2	6.65	5.2	18	19.2	11.8	1.6/1.3	6	0.5	A
10BHPF1-SS	15.875	10.16	13.41	7.03	5	19.2	20.2	14	1.85	10.2	0.83	A
12BHPF1-SS	19.05	12.07	16	8.03	5.4	22.7	23.9	15.8	1.85	15	1.09	A
16BHPF1-SS	25.4	15.88	25.58	11.5	8.1	36	37.6	21	4.15/3.1	27	2.21	A
60HPF2-SS	19.05	11.91	11.23	5.63	4.05	16.5	17.6	10.4	1.5	6	0.62	A
63HP-SS	63	40	23.5	16	12	35.3	38.3	28.6	4	39	4.14	B
63HPF2-SS	63	40	25.8	14	8.2	39.1	41.1	20	5	30	4.17	B
63HPF4-SS	63	40	2.5	16	12.3	34.7	37.7	28.6	4	26.4	4.13	B
63HPF6-SS	63	40	28.94	16	10.3	41.8	43.4	28.6	4	26.4	5.18	B
C2122HPF1-SS	76.2	47.6	29	17.81	12.7	43.3	44.7	38.1	4.8	32	7.05	B

M series stainless steel conveyor chain

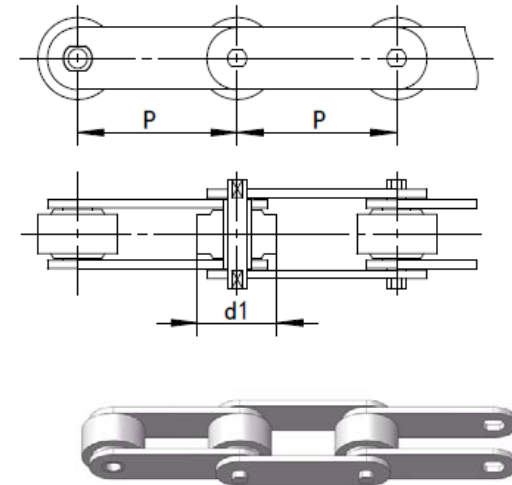
1. Without rollers



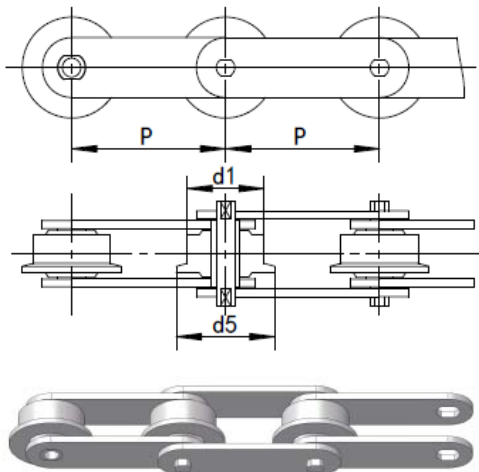
2. With small rollers



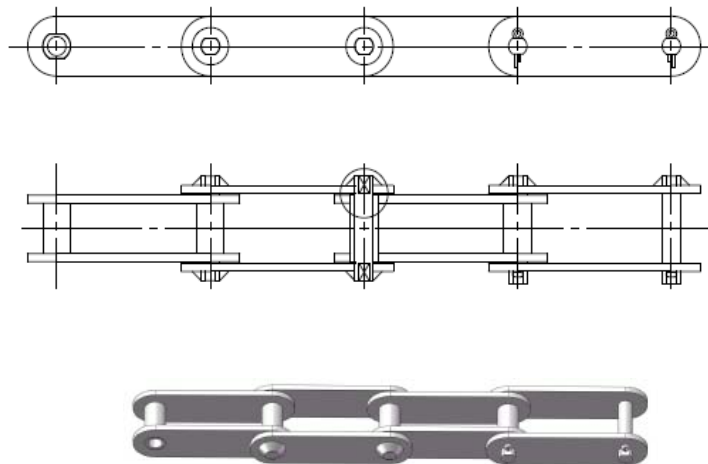
3. With large rollers



4. With flanged rollers



5. Plates welded with riveted pins



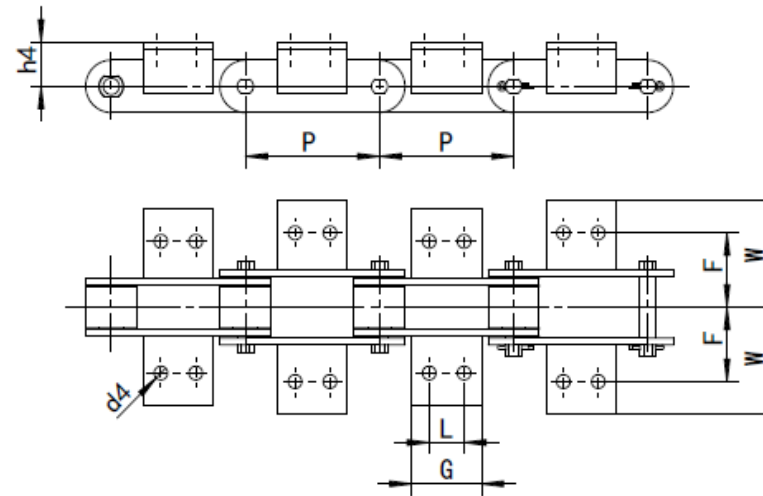
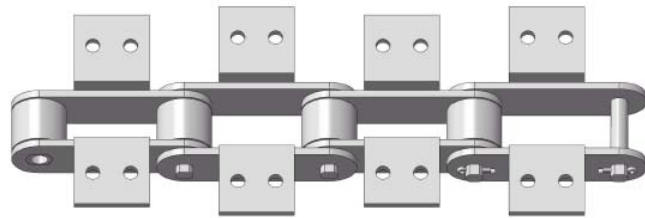
Welded pin



ZMIE Chain No.	Pitch											Bush diameter
	P								d1 max	d7 max	d5max	d4 max
	mm								mm	mm	mm	mm
M20	40.0	50.0	63.0	80.0	100.00	125.0	160.0		25.00	12.5	32.0	9.0
M28	50.0	63.0	80.0	100.0	125.00	160.0	200.0		30.00	15	36.0	10.0
M40	63.0	80.0	100.0	125.0	160.00	200.0	250.0		36.00	18	42.0	12.5
M56	63.0	80.0	100.0	125.0	160.00	200.0	250.0		42.00	21	50.0	15.0
M80	80.0	100.0	125.0	160.0	200.00	250.0	315.0		50.00	25	60.0	18.0
M112	80.0	100.0	125.0	160.0	200.00	250.0	315.0	400.00	60.00	30	70.0	21.0
M160	100.0	125.0	160.0	200.0	250.00	315.0	400.0	500.00	70.00	36	85.0	25.0
M224	125.0	160.0	200.0	250.0	315.00	400.0	500.0	630.00	85.00	42	100.0	30.0
M315	160.0	200.0	250.0	315.0	400.00	500.0	630.0		100.00	50	120.0	36.0
M450	200.0	250.0	315.0	400.0	500.00	630.0	800.0		120.00	60	140.0	42.0

ZMIE Chain No.	Width between inner plates	Pin diameter	Pin length	Plate depth	Plate thickness	Ultimate tensile strength
	b1 min	d2 max	L max	h2 max	T max	Q min
	mm	mm	mm	mm	mm	KN/LB
M20	16.0	6.0	35.0	19.0	2.50	20/4500
M28	18.0	7.0	40.0	21.0	3.00	28/6300
M40	20.0	8.5	45.0	26.0	3.50	40/9000
M56	24.0	10.0	52.0	31.0	4.00	56/12600
M80	28.0	12.0	62.0	36.0	5.00	80/18000
M112	32.0	15.0	73.0	41.0	6.00	112/25200
M160	37.0	18.0	85.0	51.0	7.00	160/36000
M224	43.0	21.0	98.0	62.0	8.00	224/50400
M315	48.0	25.0	112.0	72.0	10.00	315/70875
M450	56.0	30.0	135.0	82.0	12.00	450/101250

Attachments for M series stainless steel conveyor chain



ZMIE Chain No.	P	L	G	d4	F	W	h4
	mm	mm	mm	mm	mm		mm
M20	40.0	△	14.0				
	50.0	△	14.0				
	63.0	20.0	35.0	6.6	27.00	40.0	16.0
	80.0	35.0	50.0				

M28	50.0	△	20.0	9.0	32.00	47.0	20.0
	63.0	△	20.0				
	80.0	25.0	45.0				
	100.0	40.0	60.0				

M40	63.0	△	31.0	9.0	35	50	25
	80.0	20.0	45.0				
	100.0	40.0	60.0				
	125.0	65.0	85.0				

M56	63.0	△	22.0	11.0	44.0	61.0	30.0
	80.0	△	30.0				
	100.0	25.0	50.0				
	125.0	50.0	75.0				
	160.0	85.0	110.0				

M80	80.0	△	30.0	11.0	48.0	65.0	35.0
	100.0	25.0	50.0				
	125.0	50.0	75.0				
	160.0	85.0	110.0				
	200.0	125.0	150.0				

	80.0	△	28.0				
	100.0	△	40.0				
M112	125.0	35.0	65.0	14.0	55.0	80.0	40.0
	160.0	65.0	95.0				
	200.0	100.0	130.0				

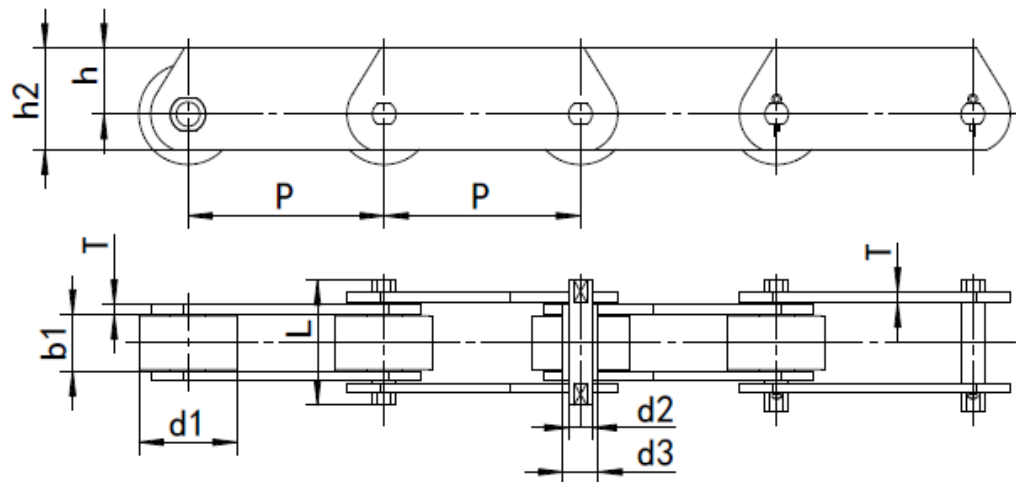
	100.0	△	30.0				
	125.0	25.0	50.0				
M160	160.0	50.0	80.0	14.0	62.0	85.0	45.0
	200.0	85.0	115.0				
	250.0	145.0	175.0				

	125.0	△	35.0				
	160.0	△	60.0				
M224	200.0	65.0	100.0	18.0	70.0	110.0	55.0
	250.0	125.0	160.0				
	315.0	190.0	230.0				

	160.0	△	35.0				
	200.0	50.0	85.0				
M315	250.0	100.0	140.0	18.0	80.0	115.0	65.0
	315.0	155.0	190.0				
	400.0	155.0	205.0				

△ The attachment with 1 hole only.

MT series stainless steel conveyor chain

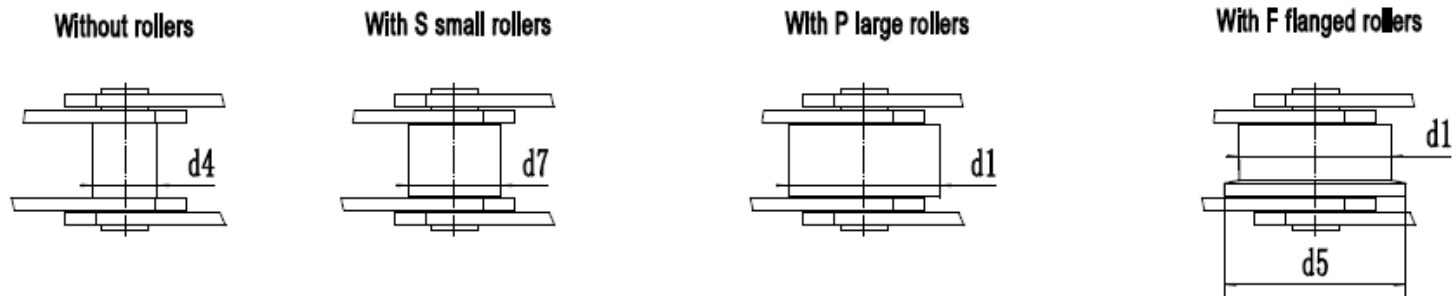
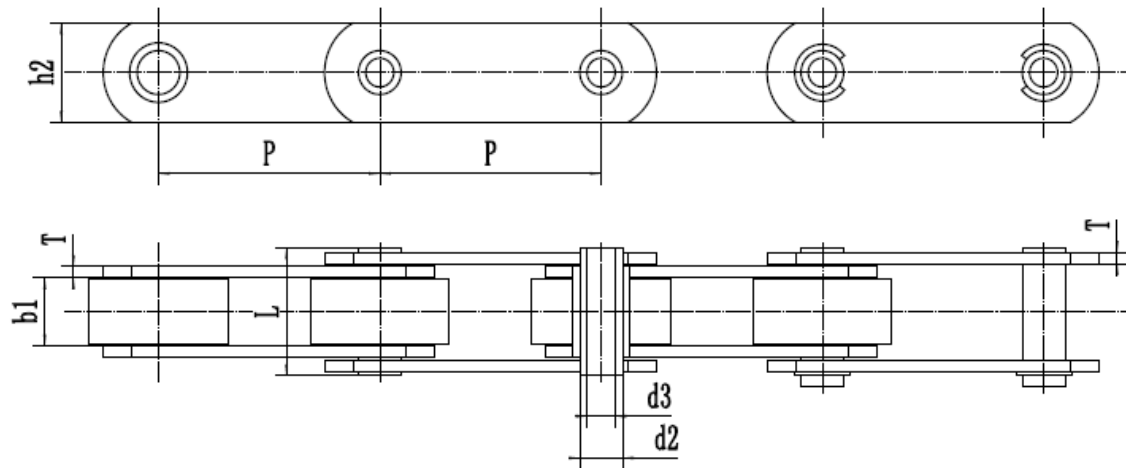


ZMIE Chain No.	Pitch					Width between inner plates	Roller diameter
	P					b1 min	d1 max
	mm					mm	mm
MT20	40.0	50.0	63.0	80.0	100.00	16.0	25.0
MT28	50.0	63.0	80.0	100.0	125.00	18.0	30.0
MT40	63.0	80.0	100.0	125.0	160.00	20.0	36.0
MT56	63.0	80.0	100.0	125.0	160.00	24.0	42.0



MT80	80.0	100.0	125.0	160.0	200.00	28.0	50.0
MT112	80.0	100.0	125.0	160.0	200.00	32.0	60.0
MT160	100.0	125.0	160.0	200.0	250.00	37.0	70.0
MT224	125.0	160.0	200.0	250.0	315.00	43.0	85.0
MT315	160.0	200.0	250.0	315.0	400.00	48.0	100.0
MT450	200.0	250.0	315.0	400.0	500.00	56.0	120.0
Bush diameter	Pin diameter	Pin length	Plate depth	Plate depth	Plate thickness	Ultimate tensile strength	
d3 max	d2 max	L max	h2 max	h max	T max	Q min	
mm	mm	mm	mm	mm	mm	KN/LB	
9	6.0	35.0	25.0	16.0	2.50	20/4500	
10	7.0	40.0	30.0	20.0	3.00	28/6300	
12.5	8.5	45.0	35.0	22.5	3.50	40/9000	
15	10.0	52.0	45.0	30.0	4.00	56/12600	
18	12.0	62.0	50.0	32.5	5.00	80/18000	
21	15.0	73.0	60.0	40.0	6.00	112/25200	
25	18.0	85.0	70.0	45.0	7.00	160/36000	
30	21.0	98.0	90.0	60.0	8.00	224/50400	
36	25.0	112.0	100.0	65.0	10.00	315/70875	
42	30.0	135.0	120.0	80.0	12.00	450/101250	

MC series stainless steel+A1 conveyor chain



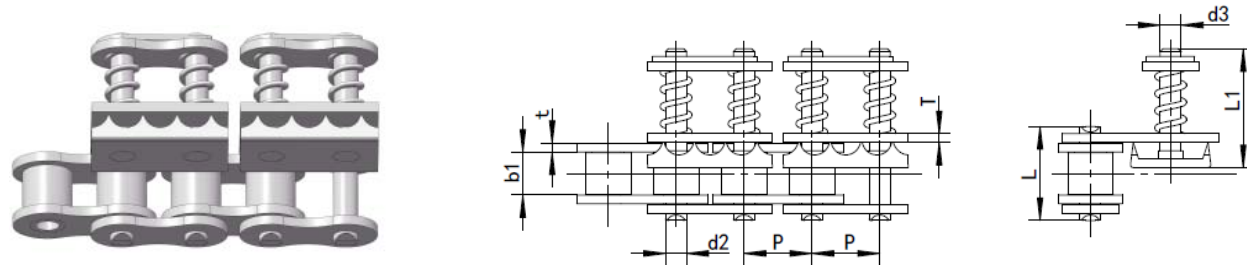
ZMIE Chain No.	Pitch						Roller diameter			Bush diameter
	P						d1 max	d7 max	d5 max	d4 max
	mm						mm	mm	mm	mm
MC28	63.0	80.0	100.0	125.0	160.00	36.0	25	45.0	17.5	
MC56	80.0	100.0	125.0	160.0	200.00	250.0	50.0	30	60.0	21.0



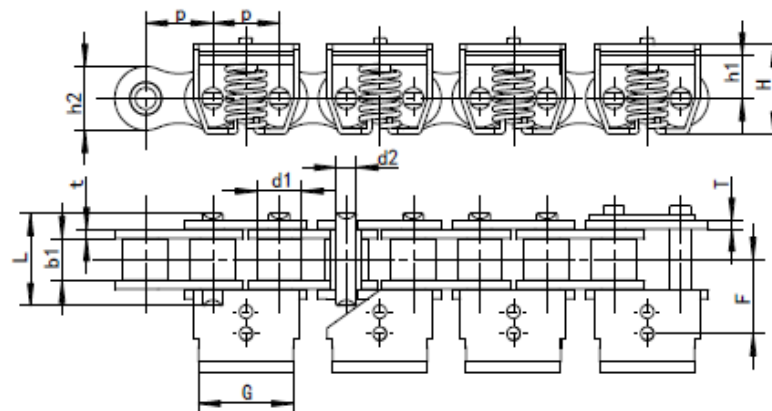
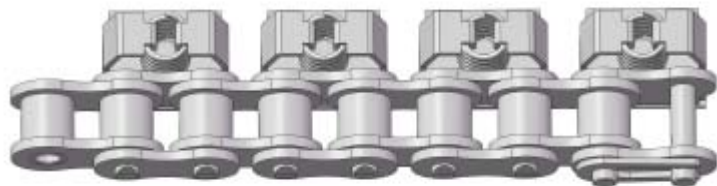
MC112	100.0	125.0	160.0	200.0	250.00	315.0	70.0	42	85.0	29.0
MC224	160.0	200.0	250.0	315.0	400.00	500.0	100.0	60	120.0	41.0

ZMIE Chain No.	Width between inner	Pin diameter		Pin length	Plate depth	Plate thickness	Ultimate tensile strength
	b1 min	d2 max	d3 min	L max	h2 max	T max	Q min
	mm	mm	mm	mm	mm	mm	KN/LB
MC28	20.0	13.0	8.2	36.0	25.00	3.5	28/6300
MC56	24.0	15.5	10.2	45.0	35.00	4.0	56/12600
MC112	32.0	22.0	14.3	62.5	50.00	6.0	112/25200
MC224	43.0	31.0	20.3	83.0	70.00	8.0	224/50400

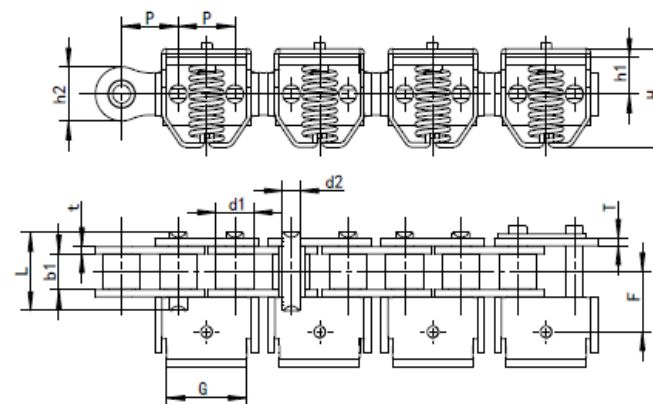
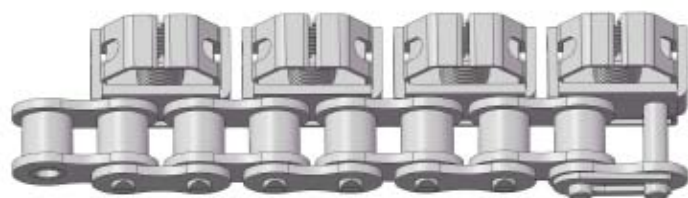
Film gripper stainless steel chain



ZMIE Chain No.	Roller diameter	Width between inner plates	Pin diameter	Pin length	Plate thicknes s	Attachment dimensions			
	d1 max	b1 min	d2 max	L max	T max	h2	d3	L1	
	mm	mm	mm	mm	mm	mm	mm	mm	
08BN6	12.7	8.51	7.75	4.5	17.0	1.6	11.8	4.2	21.5



ZMIE Chain No.	Roller diameter	Width between inner plates	Pin diameter	Pin length	Plate thickness	Attachment dimensions				
	d1 max	b1 min	d2 max	L max	T max	h1	h2	H	F	G
	mm	mm	mm	mm	mm	mm	mm	mm	mm	mm
08BSSN1 12.7	8.51	7.75	4.45	17.0	1.6	8.0	11.8	16.5	13.8	19.8
08BN2 12.7	8.51	7.75	4.45	17.0	1.6	8.0	11.8	16.5	13.8	19.8



ZMIE Chain No.	Roller diameter	Width between inner plates	Pin diameter	Pin length	Plate thickness	Attachment dimensions				
	d1 max	b1 min	d2 max	L max	T max	h1	h2	H	F	G
	mm	mm	mm	mm	mm	mm	mm	mm	mm	mm
08BSSN3 12.7	8.51	7.75	4.45	17.0	1.6	7.9	11.8	21.2	12.6	19.8
08BN4 12.7	8.51	7.75	4.45	17.0	1.6	7.9	11.8	21.2	12.6	19.8