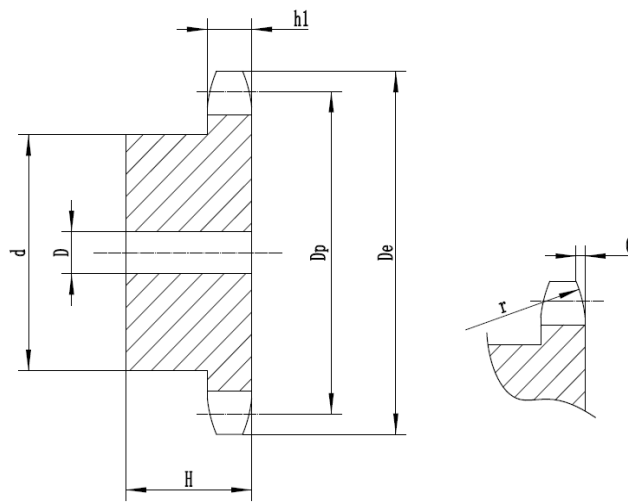


## 25-1 (6.35X3.18mm)

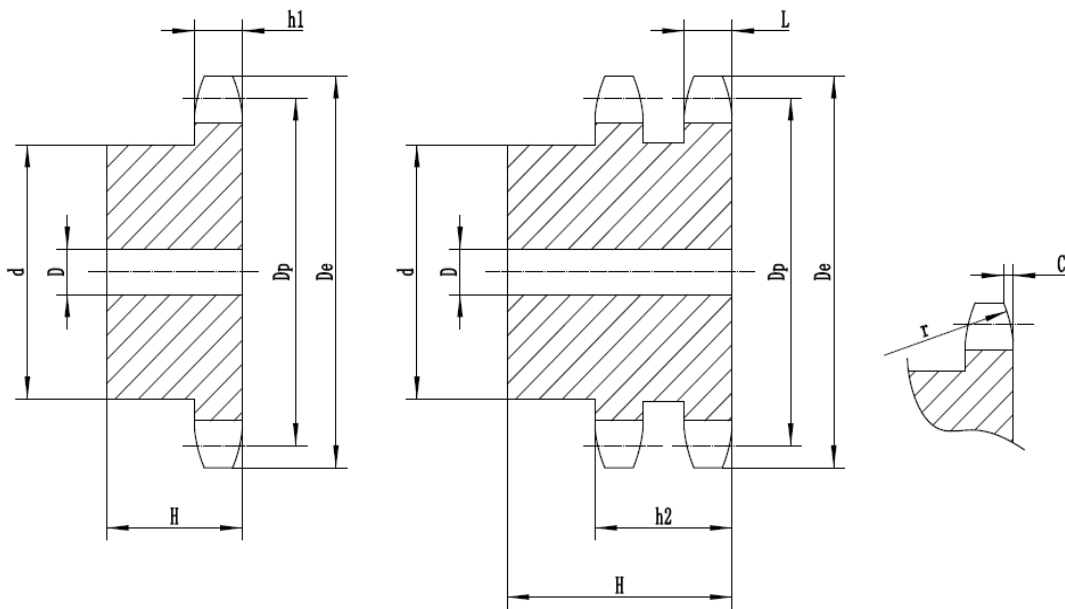


Pitch	6.35
Roller	3.3
r	6.4
C	0.7
h1	2.9

Z	De	Dp	Simplex		
			d	D	H
			mm	mm	mm
8	19.4	16.58	10	6	12
9	21.4	18.56	11.5	6	12
10	23.3	20.55	13	6	12
11	25.3	22.54	15	8	13
12	27.3	24.53	17	8	13
13	29.3	26.53	17	8	13
14	31.3	28.53	17	8	13
15	33.3	30.55	20	8	13
16	35.3	32.55	22	8	14

17	37.3	34.55	22	8	14
18	39.4	36.56	25	8	14
19	41.4	38.58	25	8	14
20	43.4	40.58	25	8	14
21	45.4	42.6	30	8	14
22	47.4	44.62	30	8	14
23	49.4	46.63	30	8	14
24	51.4	48.64	30	8	14
25	53.3	50.66	30	8	14
26	55.5	52.67	30	8	16
27	57.5	54.69	30	8	16
28	59.5	56.71	30	8	16
29	61.5	58.75	30	8	16
30	63.6	60.75	30	8	16
31	65.6	62.76	30	8	16
32	67.6	64.78	30	8	16
33	69.6	66.8	30	8	16
34	71.6	68.82	30	8	16
35	73.6	70.84	30	8	16
36	75.6	72.85	30	8	16
37	77.7	74.87	30	8	16
38	79.7	76.89	30	8	16
39	81.7	78.91	30	8	16
40	83.7	80.93	30	8	16

### 35-1-2 (9.525X4.77mm)

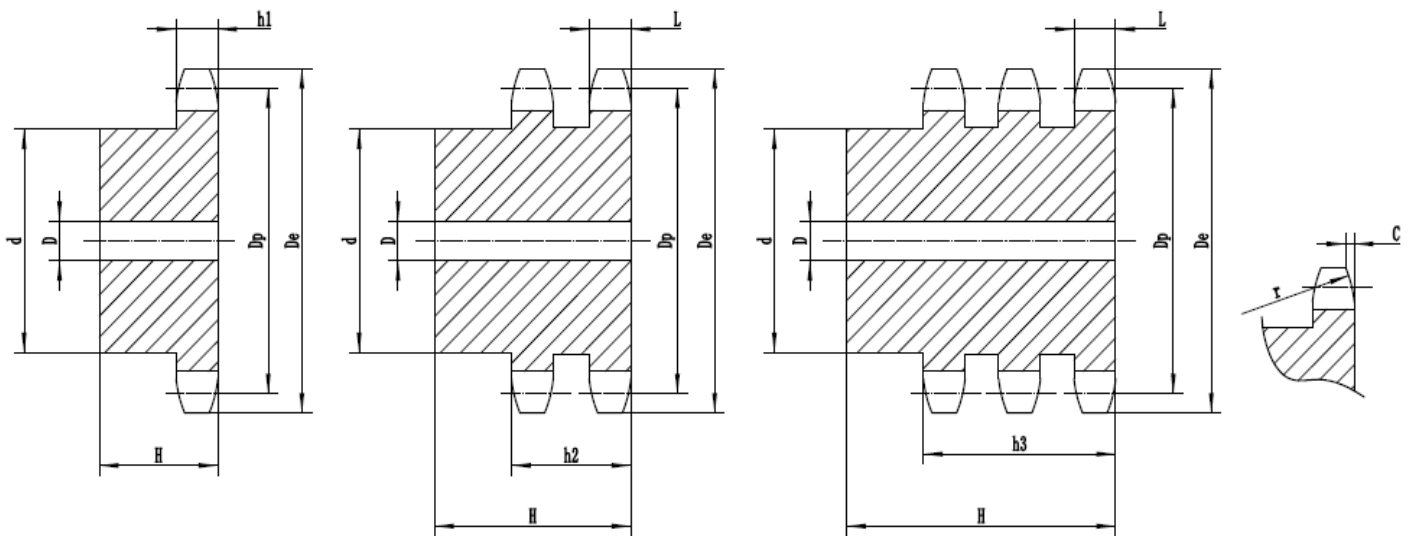


Pitch	9.525
Roller	5.08
r	10
C	1.2
h1	4.4
L	4.3
h2	14.4

Z	De	Dp	Simplex			Duplex		
			d	D	H	d	D	H
			mm	mm	mm	mm	mm	mm
10	35.7	30.82	20	8	22	/	/	/
11	38.69	33.8	22	8	25	/	/	/
12	41.68	36.8	25	8	25	/	/	/
13	44.68	39.8	28	10	25	28	10	25
14	47.68	42.8	31	10	25	31	10	25

15	50.69	45.81	34	10	25	34	10	25
16	53.7	48.82	38	10	28	37	12	30
17	56.72	51.83	38	10	28	40	12	30
18	59.73	54.85	38	10	28	43	12	30
19	62.75	57.87	46	10	28	46	12	30
20	65.77	60.89	46	10	28	49	12	30
21	68.79	63.91	46	12	28	52	16	30
22	71.81	66.93	52	12	28	55	16	30
23	74.83	69.95	52	12	28	58	16	30
24	77.85	72.97	52	12	28	61	16	30
25	80.88	76	58	12	28	64	16	30
26	83.9	79.02	58	12	28	67	16	30
27	86.93	82.04	58	12	28	70	16	30
28	89.95	85.07	60	12	28	73	16	30
30	96	91.12	60	12	28	/	/	/

### 40-1-2-3 (12.7X7.94mm)

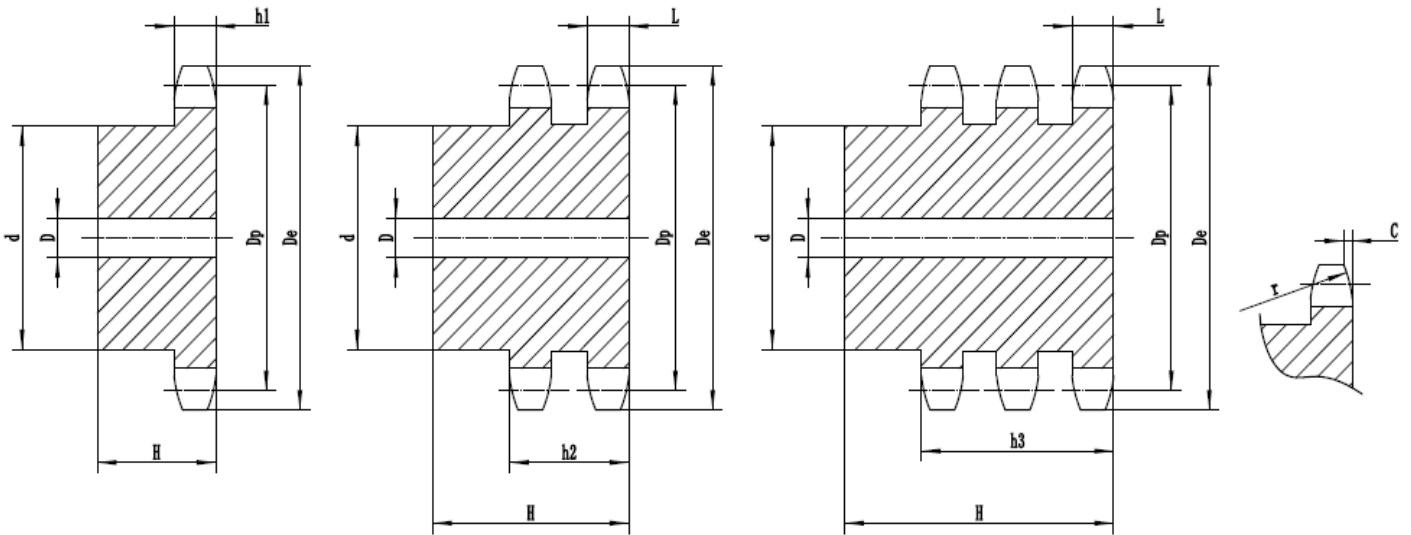


Pitch	12.7
Roller	7.94
r	13.5
C	1.6
h1	7.4
L	7.2
h2	21.6
h3	36

Z	De	Dp	Simplex			Duplex			Triplex		
			d	D	H	d	D	H	d	D	H
			mm	mm	mm	mm	mm	mm	mm	mm	mm
10	47.66	41.1	26	10	25	/	/	/	/	/	/
11	51.64	45.08	29	10	25	/	/	/	/	/	/
12	55.63	49.07	35	10	28	/	/	/	35	14	50
13	59.63	53.07	35	10	28	38	12	35	38	14	50

14	63.63	57.07	35	10	28	42	12	35	42	14	50
15	67.64	61.08	48	10	28	46	12	35	46	14	50
16	71.66	65.1	48	10	28	50	14	35	50	16	50
17	75.68	69.12	48	10	28	54	14	35	54	16	50
18	79.7	73.14	60	12	28	58	14	35	58	16	50
19	83.72	77.16	60	12	28	62	14	35	62	16	50
20	87.74	81.18	60	12	28	66	14	35	66	16	50
21	91.77	85.21	65	12	28	70	16	40	70	20	55
22	95.8	89.24	65	12	28	70	16	40	70	20	55
23	99.83	93.27	65	12	28	70	16	40	70	20	55
24	103.86	97.3	70	14	28	75	16	40	75	20	55
25	107.89	101.33	70	14	28	80	16	40	80	20	55
26	111.92	105.36	70	14	28	85	20	40	85	20	55
27	115.96	109.4	70	16	30	85	20	40	85	20	55
28	119.99	113.43	70	16	30	90	20	40	90	20	55
30	128.06	121.5	80	16	30	100	20	40	/	/	/
32	136.13	129.57	80	16	30						
35	148.24	141.68	90	16	30						
36	152.28	145.72	90	16	30						
38	160.35	153.79	90	16	35						
40	168.43	161.87	90	16	35						

### 50-1-2-3 (15.875X9.52mm)



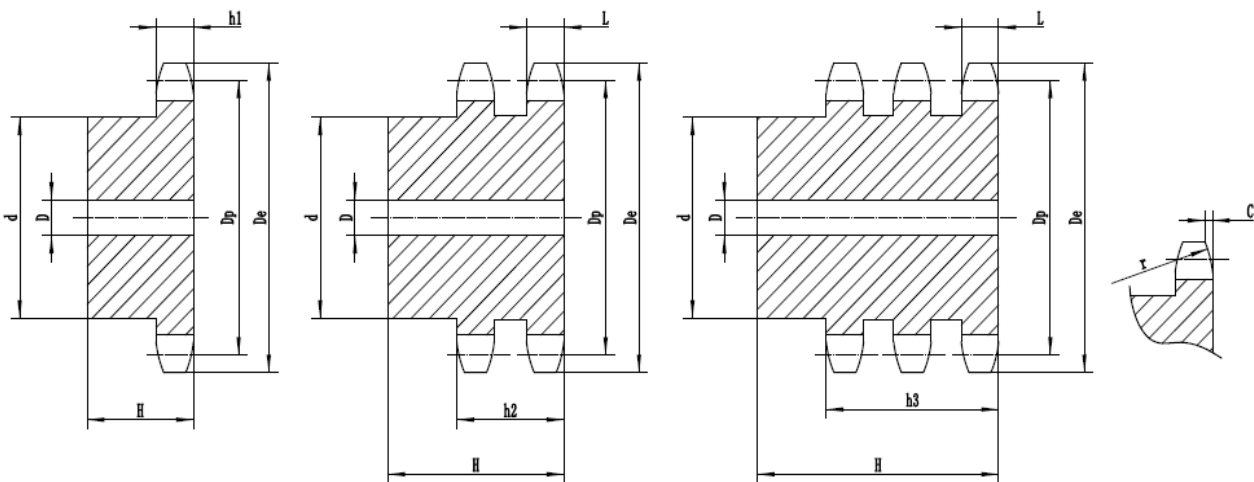
Pitch	15.875
Roller	10.16
r	17
C	2
h1	9
L	8.8
h2	26.9
h3	45

Z	De	Dp	Simplex			Duplex			Triplex		
			d	D	H	d	D	H	d	D	H
			mm	mm	mm	mm	mm	mm	mm	mm	mm
8	47	41.48	25	10	25	/	/	/	/	/	/
9	52.6	46.42	30	10	25	/	/	/	/	/	/
10	57.5	51.37	35	10	25	/	/	/	/	/	/
11	63	56.34	37	12	30	/	/	/	/	/	/

12	68	61.34	42	12	30	/	/	/	44	16	55
13	73	66.32	47	12	30	49	14	40	49	16	55
14	78	71.34	52	12	30	54	14	40	54	16	55
15	83	76.36	57	12	30	59	14	40	59	16	55
16	88	81.37	60	12	30	64	16	45	64	16	60
17	93	86.39	60	12	30	69	16	45	69	16	60
18	98.3	91.42	70	14	30	74	16	45	74	16	60
19	103.3	96.45	70	14	30	79	16	45	79	16	60
20	108.4	101.49	75	14	30	84	16	45	84	16	60
21	113.4	106.52	75	16	30	85	16	45	85	20	60
22	118	111.55	80	16	30	90	16	45	90	20	60
23	123.4	116.58	80	16	30	95	16	45	95	20	60
24	128.3	121.62	80	16	30	100	16	45	100	20	60
25	134	126.66	80	16	30	105	16	45	105	20	60
26	139	131.7	85	20	35				110	20	60
27	144	136.75	85	20	35				110	20	60
28	148.7	141.78	90	20	35				115	20	60
29	153.8	146.83	90	20	35						
30	158.8	151.87	90	20	35						
31	163.9	156.92	95	20	35						
32	168.9	161.95	95	20	35						
33	174.5	167	95	20	35						
34	179	172.05	95	20	35						
35	184.1	177.1	95	20	35						
36	189.1	182.15	100	20	35						
37	194.2	187.2	100	20	35						
38	199.2	192.24	100	20	35						
39	204.2	197.29	100	20	35						
40	209.3	202.34	100	20	35						



## 60-1-2-3 (19.05X12.7mm)

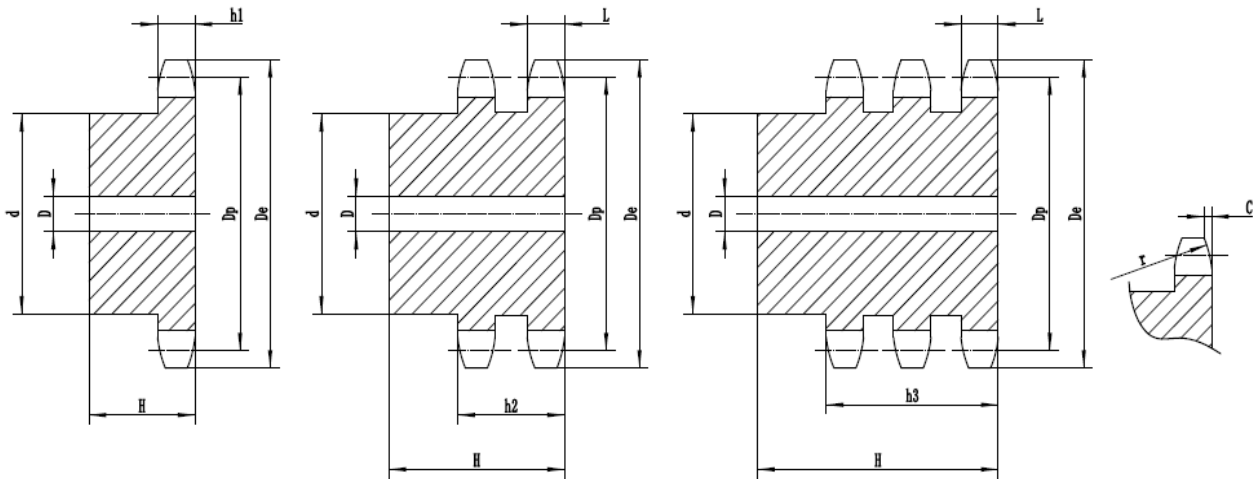


Pitch	19.05
Roller	11.91
r	20
C	2.4
h1	12
L	11.8
h2	34.6
h3	57.4

Z	De	Dp	Simplex			Duplex			Triplex		
			d	D	H	d	D	H	d	D	H
			mm	mm	mm	mm	mm	mm	mm	mm	mm
10	71.54	61.64	42	12	30	42	12	45	/	/	/
11	77.51	67.61	45	12	30	47	16	50	/	/	/
12	83.49	73.61	45	12	30	53	16	50	53	20	70
13	89.49	79.59	60	14	35	59	16	50	59	20	70
14	95.5	85.61	60	14	35	65	16	50	65	20	70

15	101.52	91.63	60	14	35	71	16	50	71	20	70
16	107.54	97.65	75	16	35	77	20	50	77	20	70
17	113.56	103.67	75	16	35	83	20	50	83	20	70
18	119.59	109.71	75	16	35	89	20	50	89	20	70
19	125.63	115.75	80	16	35	95	20	50	95	20	70
20	131.67	121.78	80	16	35	100	20	50	100	20	70
21	137.71	127.82	80	16	35	100	20	50	100	20	70
22	143.75	133.86	90	20	40	100	20	50	100	20	70
23	149.79	139.9	90	20	40	110	20	50	110	20	70
24	155.84	145.94	90	20	40	110	20	50	110	20	70
25	161.88	152	90	20	40	120	20	50	120	20	70
26	167.93	158.04	90	20	40	120	20	50			
27	173.98	164.09	90	20	40	120	20	50			
28	180.03	170.13	95	20	40	120	20	50			
30	192.14	182.25	95	20	40	120	20	50			

### 80-1-2-3 (25.4X15.88mm)

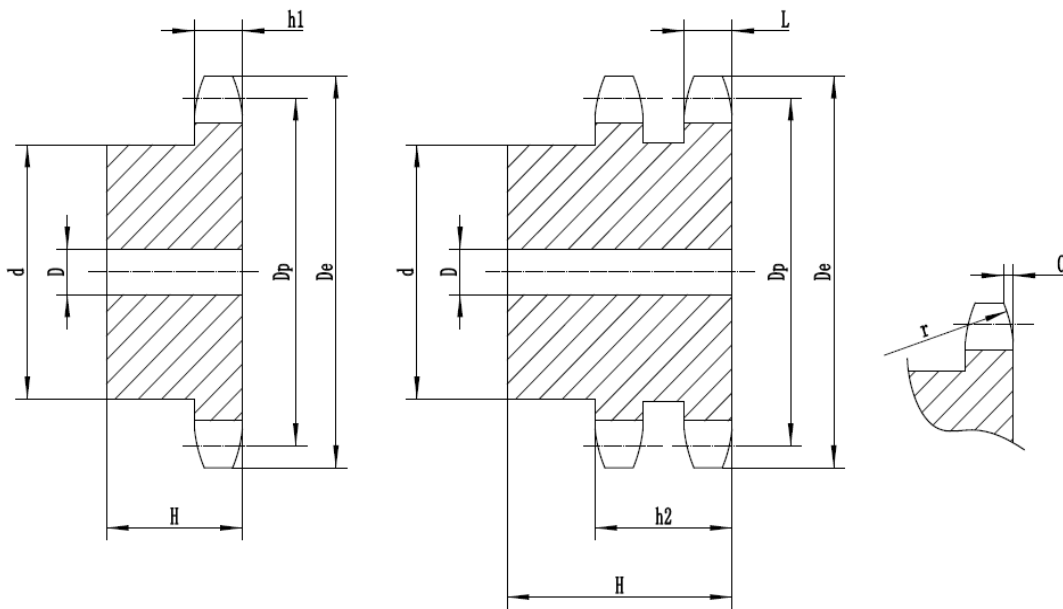


Pitch	25.4
Roller	15.88
r	27
C	3.2
h1	15
L	14.7
h2	44
h3	73.3

Z	De	Dp	Simplex			Duplex			Triplex		
			d	D	H	d	D	H	d	D	H
			mm	mm	mm	mm	mm	mm	mm	mm	mm
8	79.49	66.37	42	16	35	/	/	/	/	/	/
9	87.38	74.27	50	16	35	/	/	/	/	/	/
10	95.32	82.19	55	16	35	/	/	/	/	/	/
11	103.28	90.14	61	16	40	/	/	/	/	/	/
12	111.26	98.14	69	16	40	72	20	70	72	25	100
13	119.26	103.12	78	16	40	80	20	70	80	25	100

14	127.27	114.15	84	16	40	88	20	70	88	25	100
15	135.29	122.17	92	16	40	96	20	70	96	25	100
16	143.32	130.2	100	20	45	104	20	70	104	30	100
17	151.35	138.22	100	20	45	112	20	70	112	30	100
18	159.39	146.28	100	20	45	120	20	70	120	30	100
19	167.44	154.33	100	20	45	128	20	70	128	30	100
20	175.49	162.38	100	20	45	130	20	70	130	30	100
21	183.54	170.43	110	20	50	130	20	70	/	/	/
22	191.6	178.48	110	20	50						
23	199.66	186.53	110	20	50						
24	207.72	194.59	110	20	50						
25	215.78	202.66	110	20	50						
26	223.84	210.72	120	20	50						
27	231.91	218.79	120	20	50						
28	239.98	226.85	120	20	50						
29	248.05	234.92	120	20	50						
30	256.12	243	120	20	50						

## 100-1-2 (31.75X19.05mm)

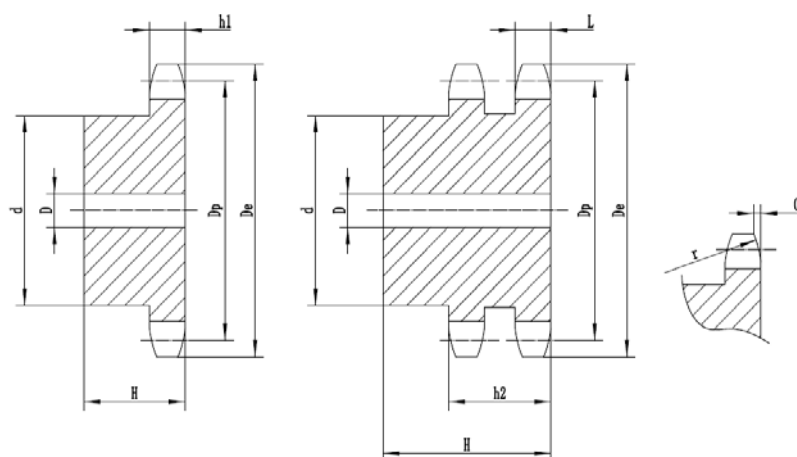


Pitch	31.75
Roller	19.05
r	33.5
C	4
h1	18
L	17.7
h2	53.5

Z	De	Dp	Simplex			Duplex		
			d	D	H	d	D	H
			mm	mm	mm	mm	mm	mm
8	98.1	82.96	53	20	40	/	/	/
9	108	92.86	63	20	40	/	/	/
10	117.9	102.74	70	20	40	/	/	/
11	127.8	112.68	77	20	45	/	/	/
12	137.8	122.68	88	20	45	90	20	80

13	147.8	132.65	98	20	45	100	20	80
14	157.8	142.68	108	20	45	110	20	80
15	167.9	152.72	118	20	45	120	20	80
16	177.9	162.75	120	25	50	120	25	80
17	187.9	172.78	120	25	50	120	25	80
18	198	182.85	120	25	50			
19	208.1	192.91	120	25	50			
20	218.1	202.98	120	25	50			
21	228.2	213.04	140	25	55			
22	238.3	223.11	140	25	55			
23	248.3	233.17	140	25	55			
24	258.4	243.23	140	25	55			
25	268.5	253.33	140	25	55			

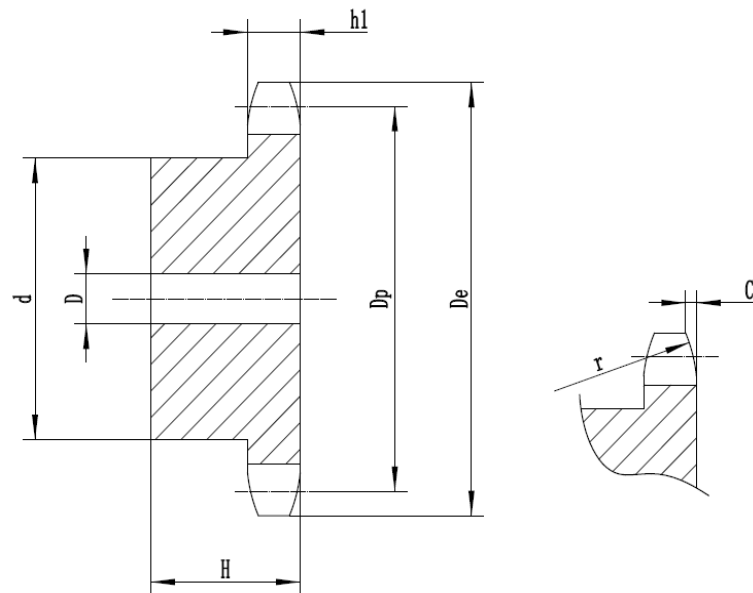
## 120-1-2 (38.1X25.4mm)



Pitch	38.1
Roller	22.22
r	40.5
C	4.8
h1	24.1
L	23.6
h2	69

Z	De	Dp	Simplex			Duplex		
			d	D	H	d	D	H
			mm	mm	mm	mm	mm	mm
8	119.04	99.55	58	20	45	/	/	/
9	130.88	111.4	70	20	45	/	/	/
10	142.77	123.29	80	20	45	/	/	/
11	154.71	135.21	90	25	50	/	/	/
12	166.69	147.22	102	25	50	102	25	100
13	178.68	159.18	114	25	50	114	25	100
14	190.7	171.22	128	25	50	128	25	100
15	202.73	183.26	140	25	50	140	25	100

## 03-1 (5X2.5mm)



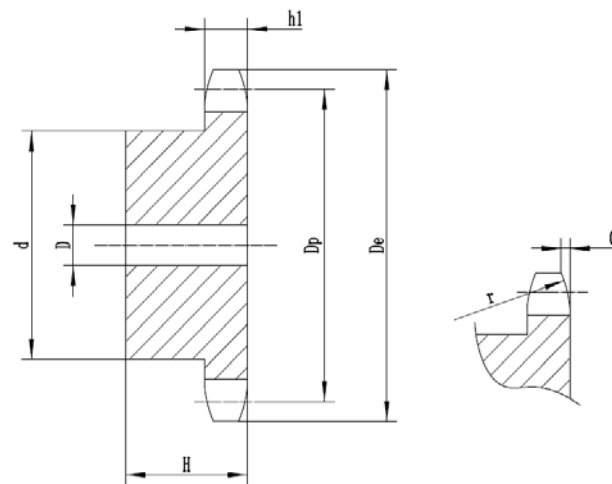
Pitch	5
Roller	3.2
r	5
C	0.6
h1	2.3

Z	De	Dp	Simplex		
			d	D	H
			mm	mm	mm
8	15.2	13.06	7	4	10
9	16.8	14.62	8	5	10
10	18.3	16.18	9	5	10
11	19.9	17.75	11	6	10
12	21.5	19.32	12	6	10
13	23	20.89	14	6	10
14	24.6	22.47	15	6	10
15	26.2	24.04	16	6	10



16	27.8	25.63	18	8	13
17	29.4	27.2	18	8	13
18	30.9	28.79	18	8	13
19	32.5	30.38	18	8	13
20	34.1	31.96	18	8	13
21	35.7	33.54	20	8	13
22	37.3	35.13	20	8	13
23	38.9	36.72	20	8	13
24	40.5	38.3	20	8	13
25	42	39.89	20	8	13
26	43.6	41.48	25	8	15
27	45.2	43.07	25	8	15
28	46.8	44.65	25	8	15
29	48.4	46.25	25	8	15
30	50	47.83	25	8	15
31	51.5	49.42	30	8	15
32	53.2	51.01	30	8	15
33	54.8	52.6	30	8	15
34	56.3	54.19	30	8	15
35	57.9	55.78	30	8	15
36	59.5	57.37	30	8	15
37	61.1	58.96	30	8	15
38	62.7	60.54	30	8	15
39	64.3	62.13	30	8	15
40	65.9	63.73	30	8	15

## O4-1 (6X2.8mm)

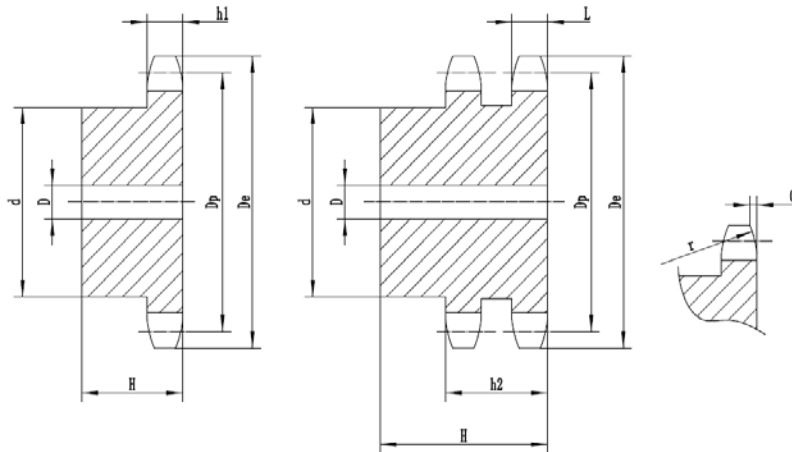


Pitch	6
Roller	4
r	6
C	0.7
h1	2.6

Z	De	Dp	Simplex		
			d	D	H
			mm	mm	mm
8	18	15.67	9.8	5	10
9	19.9	17.54	11.5	5	10
10	21.7	19.42	13	6	10
11	23.7	21.3	14	6	10
12	25.4	23.18	16	6	10
13	27.3	25.05	18	8	10
14	29.2	26.96	20	8	10
15	31.1	28.86	20	8	10
16	33	30.76	20	8	13

17	35	32.65	20	8	13
18	36.9	34.55	20	8	13
19	38.8	36.44	20	8	13
20	40.7	38.34	20	8	13
21	42.6	40.25	25	8	13
22	44.5	42.16	25	8	13
23	46.4	44.06	25	8	13
24	48.3	45.96	25	8	13
25	50.2	47.87	25	8	13
26	52.1	49.77	30	8	15
27	54	51.67	30	8	15
28	55.9	53.58	30	8	15
29	57.8	55.5	30	8	15
30	59.8	57.42	30	8	15
31	61.7	59.31	30	8	15
32	63.6	61.21	30	8	15
33	65.5	63.11	30	8	15
34	67.4	65.02	30	8	15
35	69.3	66.93	30	8	15
36	71.2	68.84	30	8	15
37	73.1	70.75	30	8	15
38	75	72.66	30	8	15
39	76.9	74.56	30	8	15
40	78.9	76.47	30	8	15
45	88.5	86.01	40	10	18
50	98	95.55	50	12	20
57	111.4	108.93	50	12	20
60	117.1	114.62	62	12	20
76	147.6	145.19	80	16	34

### 05B-1-2 (8X3.0mm)

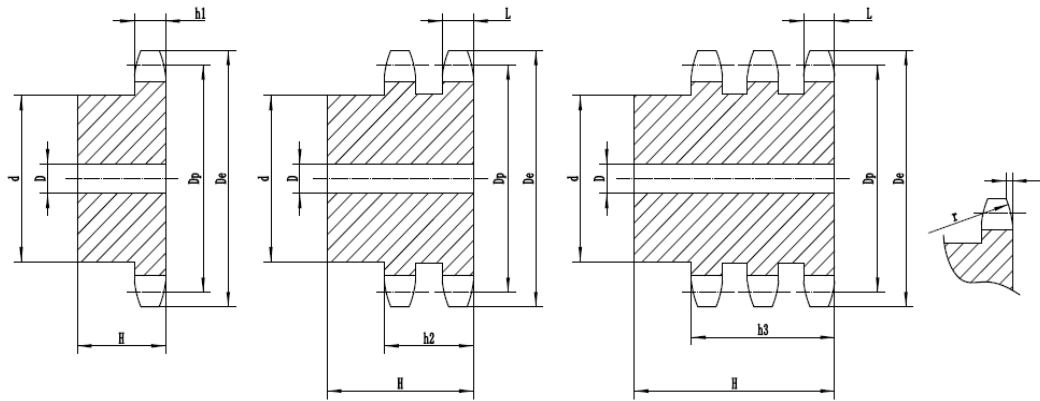


Pitch	8
Roller	5
r	8
C	1
h1	2.8
L	2.7
h2	8.3

Z	De	Dp	Simplex			Duplex		
			d	D	H	d	D	H
			mm	mm	mm	mm	mm	mm
8	24	20.9	13	6	12	12	8	18
9	26.6	23.39	15	6	12	15	8	18
10	29.2	25.89	17	8	12	17	8	18
11	31.7	28.39	18	8	13	19	10	18
12	34.2	30.91	20	8	13	21	10	18
13	36.7	33.42	23	8	13	24	10	18
14	39.2	35.95	25	8	13	26	10	18
15	41.7	38.48	28	8	13	29	10	18
16	44.3	41.01	30	8	14	32	10	20

17	46.8	43.53	30	8	14	34	10	20
18	49.3	46.07	30	8	14	37	10	20
19	51.9	48.61	30	8	14	39	10	20
20	54.4	51.14	30	8	14	40	10	20
21	57	53.67	35	8	14	40	10	20
22	59.5	56.21	35	8	14	40	10	20
23	62	58.75	35	8	14	40	10	20
24	64.6	61.29	35	8	14	40	10	20
25	67.5	63.83	35	8	14	40	10	20
26	69.5	66.37	40	10	16	50	12	22
27	72.2	68.91	40	10	16	50	12	22
28	74.8	71.45	40	10	16	50	12	22
29	77.3	73.99	40	10	16	50	12	22
30	79.8	76.53	40	10	16	50	12	22
31	82.4	79.08	40	10	16	60	12	22
32	84.9	81.61	40	10	16	60	12	22
33	87.5	84.16	40	10	16	60	12	22
34	90	86.7	40	10	16	60	12	22
35	92.5	89.24	40	10	16	60	12	22
36	95	91.79	40	10	16	60	12	22
37	97.6	94.33	40	10	16	60	12	22
38	100.2	96.88	40	10	16	60	12	22
39	102.7	99.42	40	10	16	60	12	22
40	105.2	101.97	40	10	16	60	12	22
45	118	114.69	60	12	20			
48	125.6	122.32	62	12	20			
50	130.7	127.41	62	12	20			
57	148.6	145.22	80	14	20			
60	156.2	152.85	80	16	34			
76	197.7	193.59	80	20	34			

### 06B-1-2-3 (9.525X5.72mm)



Pitch	9.525
Roller	6.35
r	10
C	1
h1	5.3
L	5.2
h2	15.4
h3	25.6

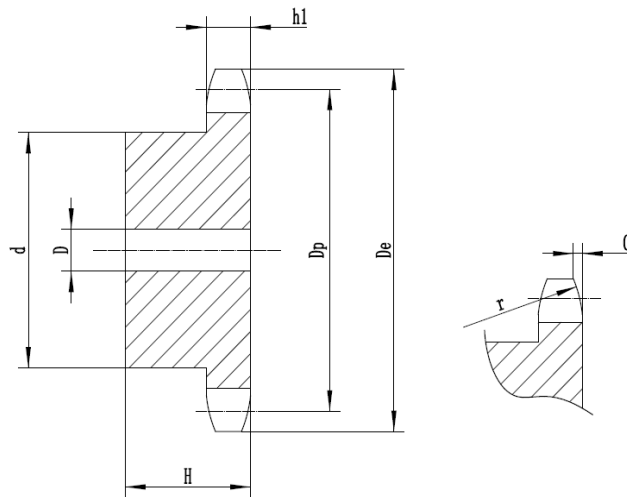
Z	De	Dp	Simplex			Duplex			Triplex		
			d	D	H	d	D	H	d	D	H
			mm	mm	mm	mm	mm	mm	mm	mm	mm
8	28	24.89	15	8	22	15	6	22	15	6	32
9	31	27.85	18	8	22	18	8	22	18	8	32
10	34	30.82	20	8	22	20	8	22	20	10	32
11	37	33.8	22	8	25	22	10	25	22	10	35
12	40	36.8	25	8	25	25	10	25	25	10	35
13	43	39.8	28	10	25	28	10	25	28	10	35
14	46.3	42.8	31	10	25	31	10	25	31	12	35

15	49.3	45.81	34	10	25	34	10	25	34	12	35
16	52.3	48.82	37	10	28	37	12	30	37	12	35
17	55.3	51.83	40	10	28	40	12	30	40	12	35
18	58.3	54.85	43	10	28	43	12	30	43	12	35
19	61.3	57.87	45	10	28	46	12	30	46	12	35
20	64.3	60.89	46	10	28	49	12	30	49	12	35
21	68	63.91	48	12	28	52	12	30	52	14	40
22	71	66.93	50	12	28	55	12	30	55	14	40
23	73.5	69.95	52	12	28	58	12	30	58	14	40
24	77	72.97	54	12	28	61	12	30	61	14	40
25	80	76	57	12	28	64	12	30	64	14	40
26	83	79.02	60	12	28	67	12	30	67	14	40
27	86	82.04	60	12	28	70	12	30	70	14	40
28	89	85.07	60	12	28	73	12	30	73	14	40
29	92	88.09	60	12	28	76	12	30	76	14	40
30	94.7	91.12	60	12	30	79	12	30	79	14	40
31	98.3	94.15	65	14	30	80	16	30	80	16	40
32	101.3	97.17	65	14	30	80	16	30	80	16	40
33	104.3	100.2	65	14	30	80	16	30	80	16	40
34	107.3	103.23	65	14	30	80	16	30	85	16	40
35	110.4	106.26	65	14	30	80	16	30	85	16	40
36	113.4	109.29	70	16	30	90	16	30	90	16	40
37	116.4	112.32	70	16	30	90	16	30	90	16	40
38	119.5	115.34	70	16	30	90	16	30	90	16	40
39	122.5	118.37	70	16	30	90	16	30	90	16	40
40	125.5	121.4	70	16	30	90	16	30	90	16	40
42	131.6	127.46	78	16	35	88	20	50	/	/	/
45	140.7	136.54	78	16	35	88	20	50	88	20	60
46	143.7	139.58	78	16	35	/	/	/	/	/	/

48	149.7	145.64	78	16	35	88	20	50	88	20	60
50	155.7	151.69	78	20	35	88	20	50	88	20	60
55	170.8	166.85	78	20	35	/	/	/	/	/	/
57	176.9	172.91	78	20	35	88	20	50	88	25	60
60	186	181.99	78	20	35	88	20	50	88	25	60
76	234.9	230.49	78	20	35	88	25	50	88	25	60
95	292.5	288.09	88	25	40	108	25	50	120	25	60



## 081-1 (12.7X3.33mm)

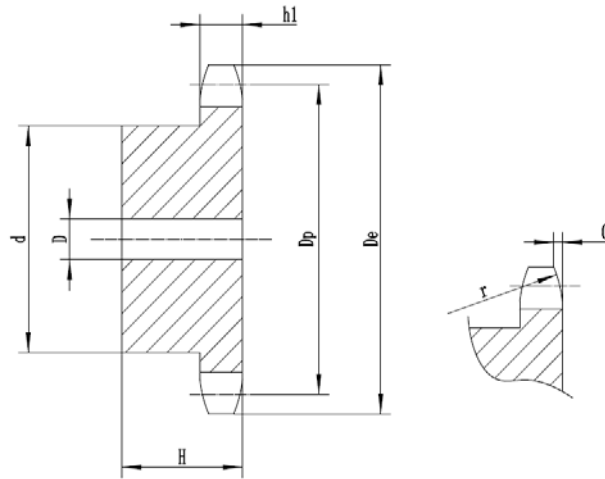


Pitch	12.7
Roller	7.75
r	13
C	1
h1	3

Z	De	Dp	Simplex		
			d	D	H
			mm	mm	mm
8	37.2	33.18	21	8	14
9	41.5	37.13	25	8	14
10	46.2	41.1	28	8	14
11	49.6	45.07	31	8	16
12	53.9	49.07	35	8	16
13	58.4	53.06	39	8	16
14	62.8	57.07	43	8	16
15	66.8	61.09	47	8	16
16	70.9	65.1	50	10	18

17	74.9	69.11	50	10	18
18	78.9	73.14	50	10	18
19	82.9	77.16	50	10	18
20	86.9	81.19	50	10	18
21	91	85.22	60	12	20
22	95	89.24	60	12	20
23	99	93.27	60	12	20
24	103	97.29	60	12	20
25	107.1	101.33	60	12	20
26	111.2	105.36	70	16	20
27	115.4	109.4	70	16	20
28	119.4	113.42	70	16	20
29	123.4	117.46	70	16	20
30	127.5	121.5	70	16	20
31	131.5	125.54	70	16	20
32	135.5	129.56	70	16	20
33	139.6	133.6	70	16	20
34	143.6	137.64	70	16	20
35	147.6	141.68	70	16	20
36	151.7	145.72	70	16	25
37	155.7	149.76	70	16	25
38	159.8	153.8	70	16	25
39	163.8	157.83	70	16	25
40	167.8	161.87	70	16	25

083-1/084-1 (12.7X4.88mm)

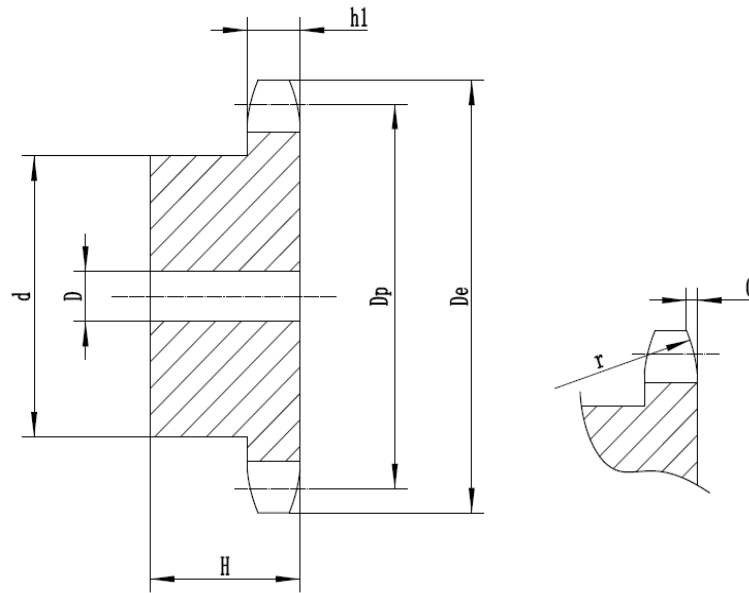


Pitch	12.7
Roller	7.75
r	13
C	1.3
h1	4.5

Z	De	Dp	Simplex		
			d	D	H
	mm	mm	mm	mm	mm
8	38.5	33.18	21	8	14
9	41.5	37.13	25	8	14
10	46.2	41.1	28	8	14
11	49.6	45.07	31	8	16
12	53.9	49.07	35	8	16
13	58.4	53.06	39	8	16
14	62.8	57.07	43	8	16
15	66.8	61.09	47	8	16
16	70.9	65.1	50	10	18

17	74.9	69.11	50	10	18
18	78.9	73.14	50	10	18
19	82.9	77.16	50	10	18
20	86.9	81.19	50	10	18
21	91	85.22	60	12	20
22	95	89.24	60	12	20
23	99	93.27	60	12	20
24	103	97.29	60	12	20
25	107.1	101.33	60	12	20
26	111.2	105.36	70	16	20
27	115.4	109.4	70	16	20
28	119.4	113.42	70	16	20
29	123.4	117.46	70	16	20
30	127.5	121.5	70	16	20
31	131.5	125.54	70	16	20
32	135.5	129.56	70	16	20
33	139.6	133.6	70	16	20
34	143.6	137.64	70	16	20
35	147.6	141.68	70	16	20
36	151.7	145.72	70	16	25
37	155.7	149.76	70	16	25
38	159.8	153.8	70	16	25
39	163.8	157.83	70	16	25
40	167.8	161.87	70	16	25

## O85-1 (12.7X6.4X7.75mm)

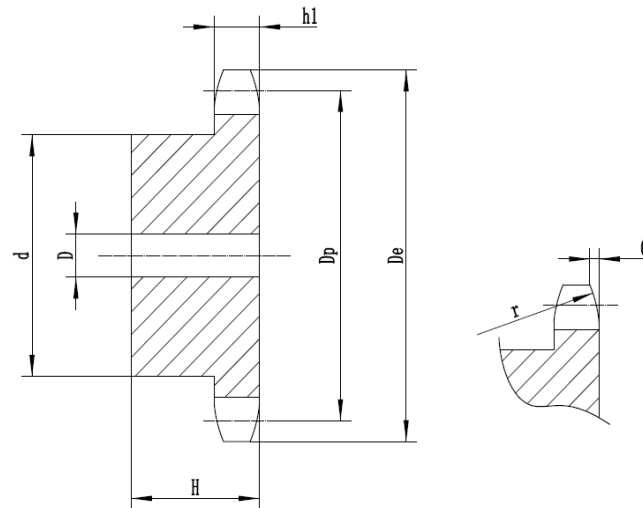


Pitch	12.7
Roller	7.75
r	13
C	1.3
h1	5.9

Z	De	Dp	Simplex		
			d	D	H
			mm	mm	mm
8	38.5	33.18	20	10	25
9	41.5	37.13	24	10	25
10	46.2	41.1	26	10	25
11	49.6	45.07	29	10	25
12	53.9	49.07	33	10	28
13	58.4	53.06	37	10	28
14	62.8	57.07	41	10	28

15	66.8	61.09	45	10	28
16	70.9	65.1	50	12	28
17	74.9	69.11	52	12	28
18	78.9	73.14	56	12	28
19	82.9	77.16	60	12	28
20	86.9	81.19	64	12	28
21	91	85.22	68	14	28
22	95	89.24	70	14	28
23	99	93.27	70	14	28
24	103	97.29	70	14	28
25	107.1	101.33	70	14	28
26	111.2	105.36	70	16	30
27	115.4	109.4	70	16	30
28	119.4	113.42	70	16	30
29	123.4	117.46	80	16	30
30	127.5	121.5	80	16	30
31	131.5	125.54	90	16	30
32	135.5	129.56	90	16	30
33	139.6	133.6	90	16	30
34	143.6	137.64	90	16	30
35	147.6	141.68	90	16	30
36	151.7	145.72	90	16	35
37	155.7	149.76	90	16	35
38	159.8	153.8	90	16	35
39	163.8	157.83	90	16	35
40	167.8	161.87	90	16	35

## O85-1 (12.7X6.4X8.51mm)



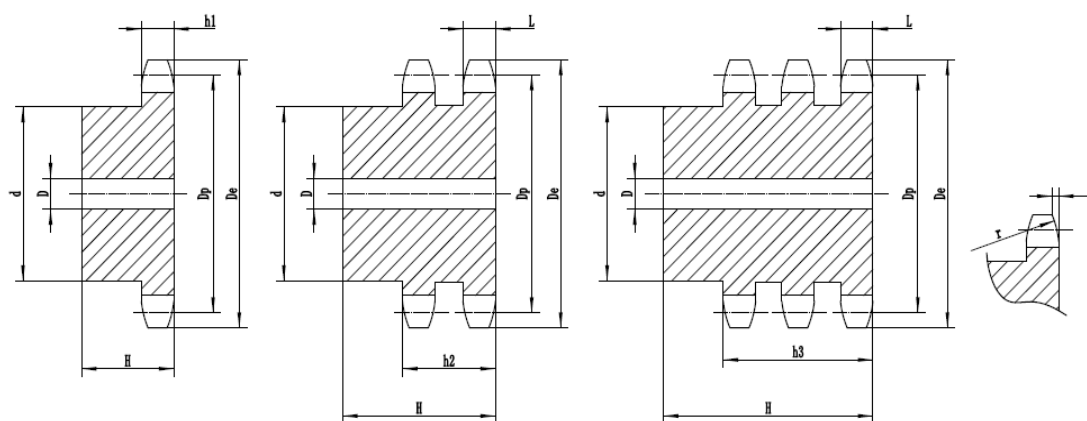
Pitch	12.7
Roller	8.51
r	13
C	1.3
h1	5.9

Z	De	Dp	Simplex		
			d	D	H
			mm	mm	mm
8	37.2	33.18	20	10	25
9	41	37.13	24	10	25
10	45.2	41.1	26	10	25
11	48.7	45.07	29	10	25
12	53	49.07	33	10	28
13	57.4	53.06	37	10	28
14	61.8	57.07	41	10	28
15	65.5	61.09	45	10	28
16	69.5	65.1	50	12	28

17	73.6	69.11	52	12	28
18	77.8	73.14	56	12	28
19	81.7	77.16	60	12	28
20	85.8	81.19	64	12	28
21	89.7	85.22	68	14	28
22	93.8	89.24	70	14	28
23	98.2	93.27	70	14	28
24	101.8	97.29	70	14	28
25	105.8	101.33	70	14	28
26	110	105.36	70	16	30
27	114	109.4	70	16	30
28	118	113.42	70	16	30
29	122	117.46	80	16	30
30	126.1	121.5	80	16	30
31	130.2	125.54	90	16	30
32	134.2	129.56	90	16	30
33	138.4	133.6	90	16	30
34	142.6	137.64	90	16	30
35	146.7	141.68	90	16	30
36	151	145.72	90	16	35
37	154.6	149.76	90	16	35
38	158.6	153.8	90	16	35
39	162.7	157.83	90	16	35
40	166.8	161.87	90	16	35



## 08B-1-2-3 (12.7X7.75mm)



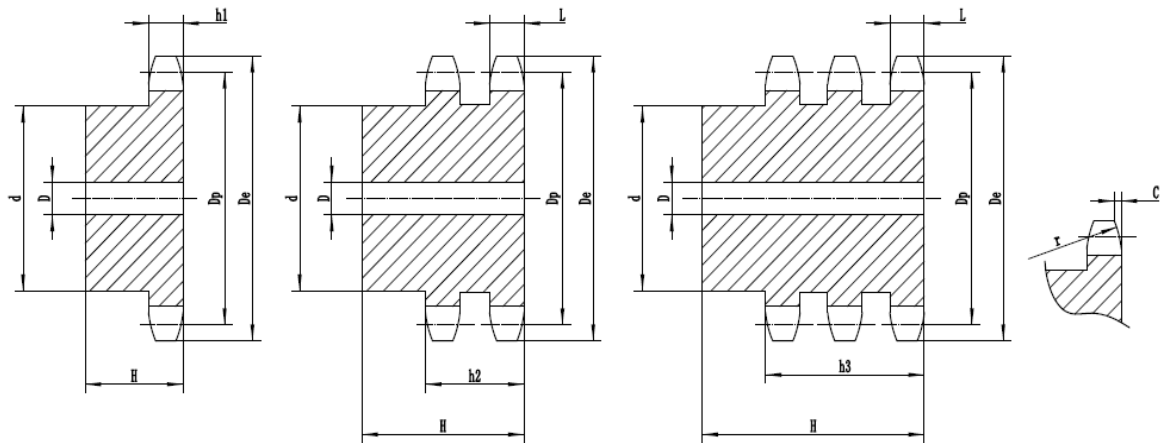
Pitch	12.7
Roller	8.51
r	13
C	1.3
h1	7.2
L	7
h2	21
h3	34.9

Z	De	Dp	Simplex			Duplex			Triplex		
			d	D	H	d	D	H	d	D	H
			mm	mm	mm	mm	mm	mm	mm	mm	mm
8	37.2	33.18	20	10	25	20	10	32	20	10	46
9	41	37.13	24	10	25	24	10	32	24	12	46
10	45.2	41.1	26	10	25	28	10	32	28	12	46
11	48.7	45.07	29	10	25	32	12	35	32	14	50
12	53	49.07	33	10	28	35	12	35	35	14	50
13	57.4	53.06	37	10	28	38	12	35	38	14	50
14	61.8	57.07	41	10	28	42	12	35	42	14	50

15	65.5	61.09	45	10	28	46	12	35	46	14	50
16	69.5	65.1	50	12	28	50	14	35	50	16	50
17	73.6	69.11	52	12	28	54	14	35	54	16	50
18	77.8	73.14	56	12	28	58	14	35	58	16	50
19	81.7	77.16	60	12	28	62	14	35	62	16	50
20	85.8	81.19	64	12	28	66	14	35	66	16	50
21	89.7	85.22	68	12	28	70	16	40	70	20	55
22	93.8	89.24	70	12	28	70	16	40	70	20	55
23	98.2	93.27	70	14	28	70	16	40	70	20	55
24	101.8	97.29	70	14	28	75	16	40	75	20	55
25	105.8	101.33	70	14	28	80	16	40	80	20	55
26	110	105.36	70	16	30	85	20	40	85	20	55
27	114	109.4	70	16	30	85	20	40	85	20	55
28	118	113.42	70	16	30	90	20	40	90	20	55
29	122	117.46	80	16	30	95	20	40	95	20	55
30	126.1	121.5	80	16	30	100	20	40	100	20	55
31	130.2	125.54	90	16	30	100	20	40	110	20	55
32	134.2	129.56	90	16	30	100	20	40	110	20	55
33	138.4	133.6	90	16	30	100	20	40	110	20	55
34	142.6	137.64	90	16	30	100	20	40	110	20	55
35	146.7	141.68	90	16	30	100	20	40	110	20	55
36	151	145.72	90	16	35	110	20	40	120	25	55
37	154.6	149.76	90	16	35	110	20	40	120	25	55
38	158.6	153.8	90	16	35	110	20	40	120	25	55
39	162.7	157.83	90	16	35	110	20	40	120	25	55
40	166.8	161.87	90	16	35	110	20	40	120	25	55
42	175.4	169.95	88	20	42	108	20	55	/	/	/
45	188	182.07	88	20	42	108	20	55	120	25	68
46	192.1	186.1	88	20	42	108	20	55	/	/	/

48	200.3	194.18	88	20	42	108	20	55	/	/	/
50	208.3	202.26	88	20	42	108	20	55	120	25	68
55	228.1	222.46	88	20	42	/	/	/	/	/	/
57	236.4	230.54	88	20	42	108	25	55	120	25	68
60	248.6	242.66	88	20	42	108	25	55	120	25	68
76	313.3	307.33	88	25	42	108	25	55	120	25	68
95	390.1	384.11	108	25	42	120	25	55	136	25	68

# 10B-1-2-3 (15.875X9.65mm)



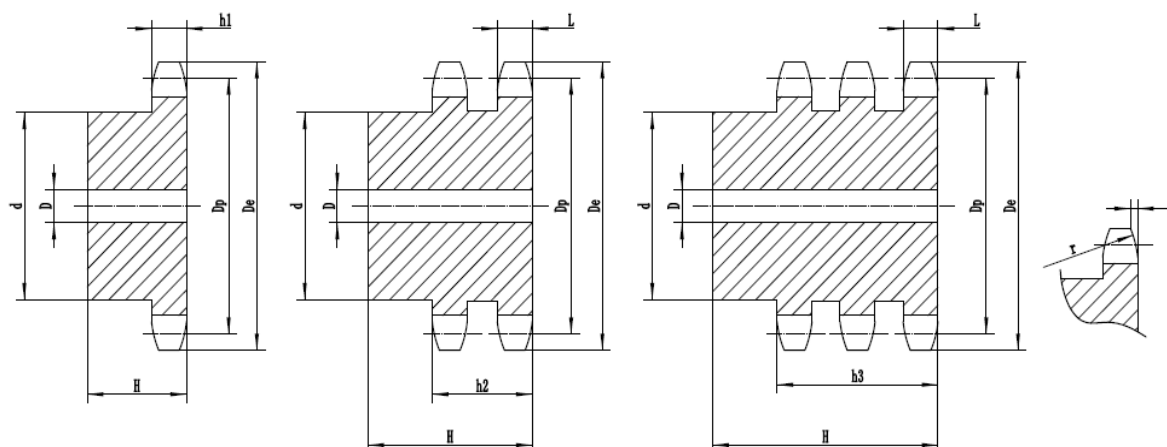
Pitch	15.875
Roller	10.16
r	16
C	1.6
$h_1$	9.1
L	9
$h_2$	25.5
$h_3$	42.1

Z	De	Dp	Simplex			Duplex			Triplex		
			d	D	H	d	D	H	d	D	H
			mm	mm	mm	mm	mm	mm	mm	mm	mm
8	47	41.48	25	10	25	25	12	40	25	12	55
9	52.6	46.42	30	10	25	30	12	40	30	12	55
10	57.5	51.37	35	10	25	35	12	40	35	16	55
11	63	56.34	37	12	30	39	14	40	39	16	55
12	68	61.34	42	12	30	44	14	40	44	16	55
13	73	66.32	47	12	30	49	14	40	49	16	55

14	78	71.34	52	12	30	54	14	40	54	16	55
15	83	76.36	57	12	30	59	14	40	59	16	55
16	88	81.37	60	12	30	64	16	45	64	16	60
17	93	86.39	60	12	30	69	16	45	69	16	60
18	98.3	91.42	70	14	30	74	16	45	74	16	60
19	103.3	96.45	70	14	30	79	16	45	79	16	60
20	108.4	101.49	75	14	30	84	16	45	84	16	60
21	113.4	106.52	75	16	30	85	16	45	85	20	60
22	118	111.55	80	16	30	90	16	45	90	20	60
23	123.4	116.58	80	16	30	95	16	45	95	20	60
24	128.3	121.62	80	16	30	100	16	45	100	20	60
25	134	126.66	80	16	30	105	16	45	105	20	60
26	139	131.7	85	20	35	110	20	45	110	20	60
27	144	136.75	85	20	35	110	20	45	110	20	60
28	148.7	141.78	90	20	35	115	20	45	115	20	60
29	153.8	146.83	90	20	35	115	20	45	115	20	60
30	158.8	151.87	90	20	35	120	20	45	120	20	60
31	163.9	156.92	95	20	35	120	20	45	120	20	60
32	168.9	161.95	95	20	35	120	20	45	120	20	60
33	174.5	167	95	20	35	120	20	45	120	20	60
34	179	172.05	95	20	35	120	20	45	120	20	60
35	184.1	177.1	95	20	35	120	20	45	120	20	60
36	189.1	182.15	100	20	35	120	20	45	120	25	60
37	194.2	187.2	100	20	35	120	20	45	120	25	60
38	199.2	192.24	100	20	35	120	20	45	120	25	60
39	204.2	197.29	100	20	35	120	20	45	120	25	60
40	209.3	202.34	100	20	35	120	20	45	120	25	60
42	219.9	212.44	108	20	43	120	25	59	/	/	/
45	235	227.58	108	20	43	120	25	59	136	25	74

46	240.1	232.63	108	20	43	120	25	59	/	/	/
48	250.2	242.73	108	20	43	120	25	59	/	/	/
50	260.3	252.82	108	20	43	120	25	59	136	25	74
55	285.5	278.08	108	20	43	120	25	59	/	/	/
57	296	288.18	108	25	43	120	25	59	136	25	74
60	310.8	303.32	108	25	43	120	25	59	136	25	74
76	392.1	384.16	108	25	43	120	25	59	145	30	75
95	488.5	480.14	118	30	59	145	30	58	145	30	75

# 12B-1-2-3 (19.05X11.68mm)



Pitch	19.05
Roller	12.07
r	19
C	2
h1	11.1
L	10.8
h2	30.3
h3	49.8

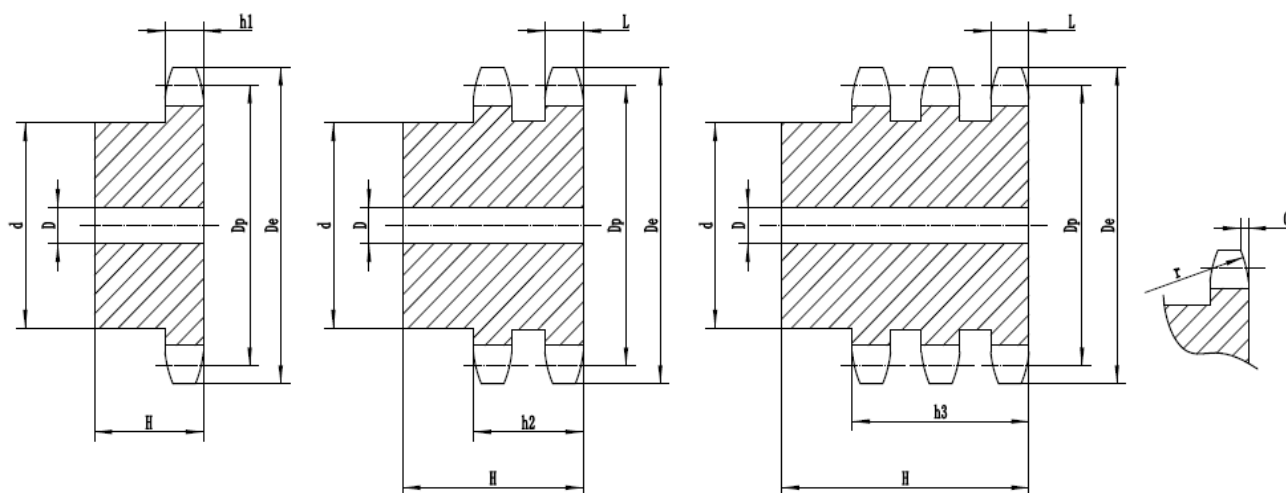
Z	De	Dp	Simplex			Duplex			Triplex		
			d	D	H	d	D	H	d	D	H
			mm	mm	mm	mm	mm	mm	mm	mm	mm
8	57.6	49.78	31	12	30	31	12	45	31	16	65
9	62	55.7	37	12	30	37	12	45	37	16	65
10	69	61.64	42	12	30	42	12	45	42	16	65
11	75	67.61	46	14	35	47	16	50	47	20	70
12	91.5	73.6	52	14	35	53	16	50	53	20	70
13	87.5	79.59	58	14	35	59	16	50	59	20	70

14	93.6	85.61	64	14	35	65	16	50	65	20	70
15	99.8	91.63	70	14	35	71	16	50	71	20	70
16	105.5	97.65	75	16	35	77	20	50	77	20	70
17	111.5	103.67	80	16	35	83	20	50	83	20	70
18	118	109.71	80	16	35	89	20	50	89	20	70
19	124.2	115.75	80	16	35	95	20	50	95	20	70
20	129.7	121.78	80	16	35	100	20	50	100	20	70
21	136	127.82	90	20	40	100	20	50	100	20	70
22	141.8	133.86	90	20	40	100	20	50	100	20	70
23	149	139.9	90	20	40	110	20	50	110	20	70
24	153.9	145.94	90	20	40	110	20	50	110	20	70
25	160	152	90	20	40	120	20	50	120	20	70
26	165.9	158.04	95	20	40	120	20	50	120	20	70
27	172.3	164.09	95	20	40	120	20	50	120	20	70
28	178	170.13	95	20	40	120	20	50	120	20	70
29	184.1	176.19	95	20	40	120	20	50	120	20	70
30	190.5	182.25	95	20	40	120	20	50	120	20	70
31	196.3	188.31	100	20	40	130	20	50	130	25	70
32	203.3	194.35	100	20	40	130	20	50	130	25	70
33	209.3	200.4	100	20	40	130	20	50	130	25	70
34	214.6	206.46	100	20	40	130	20	50	130	25	70
35	221	212.52	100	20	40	130	20	50	130	25	70
36	226.8	218.58	100	20	40	130	25	50	130	25	70
37	232.9	224.64	100	20	40	130	25	50	130	25	70
38	239	230.69	100	20	40	130	25	50	130	25	70
39	245.1	236.75	100	20	40	130	25	50	130	25	70
40	251.3	242.81	100	20	40	130	25	50	130	25	70
42	264.5	254.93	118	25	61	136	25	62	/	/	/
45	282.5	273.1	118	25	61	136	25	62	140	25	72



46	287.9	279.16	118	25	61	136	25	62	/	/	/
48	300.1	291.27	118	25	61	136	25	62	/	/	/
50	312.3	303.39	118	25	61	136	25	62	140	25	72
55	342.7	333.7	118	25	61	136	25	62	/	/	/
57	355.4	345.81	118	25	61	136	25	62	140	30	75
60	373	363.99	118	25	61	136	25	62	140	30	75
76	469.9	460.99	118	30	61	145	30	63	150	30	75
95	585.1	576.17	133	30	62	145	30	63	150	30	75

## 16B-1-2-3 (25.4X17.02mm)



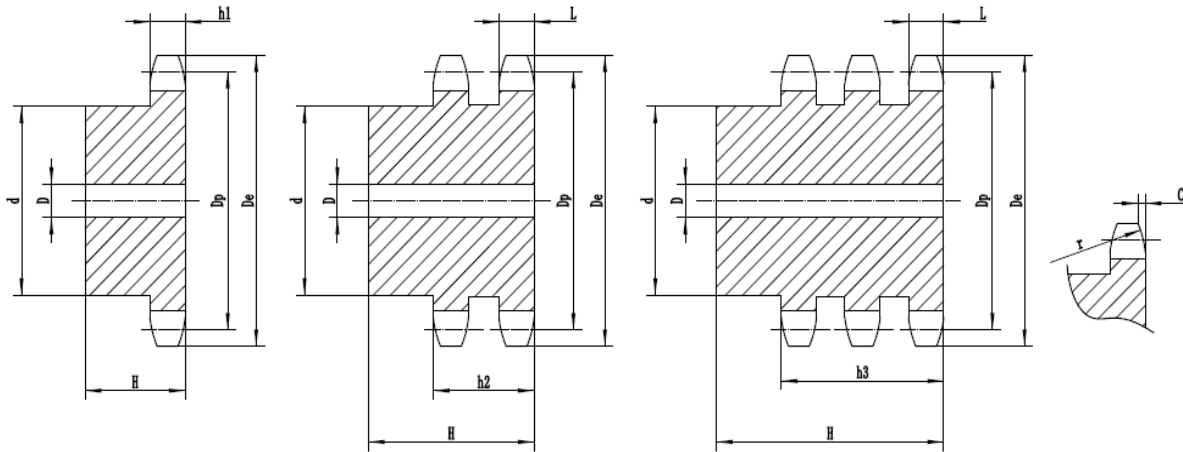
Pitch	25.4
Roller	15.88
r	26
C	2.5
h1	16.2
L	15.8
h2	47.7
h3	79.6

Z	De	Dp	Simplex			Duplex			Triplex		
			d	D	H	d	D	H	d	D	H
			mm	mm	mm	mm	mm	mm	mm	mm	mm
8	77	66.37	42	16	35	42	16	65	42	20	95
9	85	74.27	50	16	35	50	16	65	50	20	95
10	93	82.19	55	16	35	56	16	65	56	20	95
11	99.5	90.14	61	16	40	64	20	70	64	25	100
12	109	98.14	69	16	40	72	20	70	72	25	100

13	117	106.12	78	16	40	80	20	70	80	25	100
14	125	114.15	84	16	40	88	20	70	88	25	100
15	133	122.17	92	16	40	96	20	70	96	25	100
16	141	130.2	100	20	45	104	20	70	104	30	100
17	149	138.22	100	20	45	112	20	70	112	30	100
18	157	146.28	100	20	45	120	20	70	120	30	100
19	165.2	154.33	100	20	45	128	20	70	128	30	100
20	173.2	162.38	100	20	45	130	20	70	130	30	100
21	181.2	170.43	110	20	50	130	25	70	130	30	100
22	189.3	178.48	110	20	50	130	25	70	130	30	100
23	197.5	186.53	110	20	50	130	25	70	130	30	100
24	205.5	194.59	110	20	50	130	25	70	130	30	100
25	213.5	202.66	110	20	50	130	25	70	130	30	100
26	221.6	210.72	120	20	50	130	25	70	130	30	100
27	229.6	218.79	120	20	50	130	25	70	130	30	100
28	237.7	226.85	120	20	50	130	25	70	130	30	100
29	245.8	234.92	120	20	50	130	25	70	130	30	100
30	254	243	120	20	50	130	25	70	130	30	100
31	262	251.08	120	25	50	140	25	70	130	30	100
32	270	259.13	120	25	50	140	25	70	130	30	100
33	278.5	267.21	120	25	50	140	25	70	130	30	100
34	287	275.28	120	25	50	140	25	70	130	30	100
35	296.2	283.36	120	25	50	140	25	70	130	30	100
36	304.6	291.44	120	25	50	140	25	70	130	30	100
37	312.6	299.51	120	25	50	140	25	70	130	30	100
38	320.7	307.59	120	25	50	140	25	70	130	30	100
39	328.8	315.67	120	25	50	140	25	70	130	30	100
40	336.9	323.73	120	25	50	140	25	70	130	30	100
42	353	339.9	133	25	68	140	25	70	/	/	/

45	377.1	364.12	133	25	68	140	25	70	160	30	110
46	385.2	372.21	133	25	68	140	25	70	/	/	/
48	401.3	388.36	133	25	68	140	25	70	/	/	/
50	417.4	404.52	133	25	68	140	25	70	160	30	110
57	474	461.07	133	30	68	160	40	82	180	40	112
60	498.3	485.32	133	30	68	160	40	82	/	/	/
76	627	614.65	145	30	68	160	40	82	180	40	112
95	781.1	768.22	160	30	78	180	40	109	180	40	112

## 20B-1-2-3 (31.75X19.56mm)



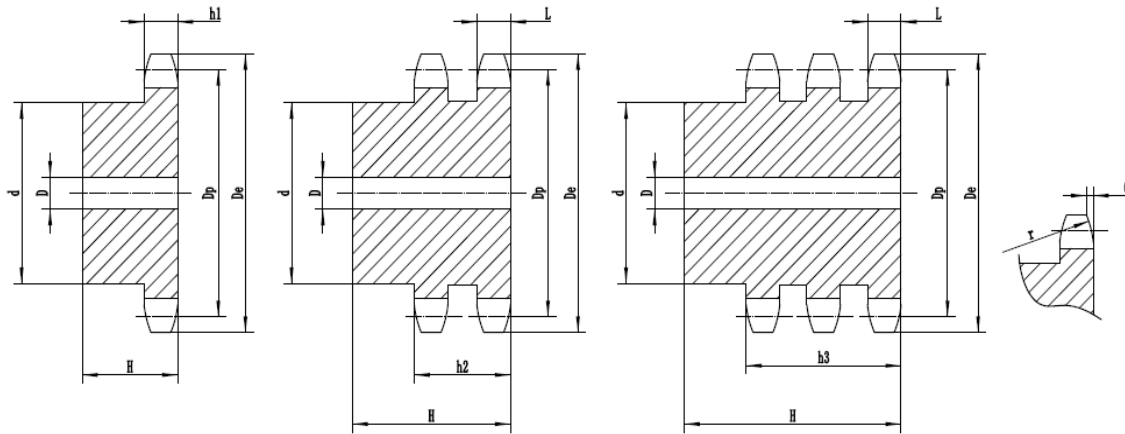
Pitch	31.75
Roller	19.05
r	32
C	3.5
h1	18.5
L	18.2
h2	54.6
h3	91

Z	De	Dp	Simplex			Duplex			Triplex		
			d	D	H	d	D	H	d	D	H
			mm	mm	mm	mm	mm	mm	mm	mm	mm
8	98.1	82.96	53	20	40	53	20	75	53	20	110
9	108	92.84	63	20	40	63	20	75	63	20	110
10	117.9	102.74	70	20	40	70	20	75	70	20	110
11	127.8	112.68	77	20	45	80	20	80	80	20	115
12	137.8	122.68	88	20	45	90	20	80	90	20	115
13	147.8	132.65	98	20	45	100	20	80	100	20	115
14	157.8	142.68	108	20	45	110	20	80	110	20	115

15	167.9	152.72	118	20	45	120	20	80	120	20	115
16	177.9	162.75	120	25	50	120	25	80	120	25	115
17	187.9	172.78	120	25	50	120	25	80	120	25	115
18	198	182.85	120	25	50	120	25	80	120	25	115
19	208.1	192.91	120	25	50	120	25	80	120	25	115
20	218.1	202.98	120	25	50	120	25	80	120	25	115
21	228.2	213.04	140	25	55	140	25	80	140	25	115
22	238.2	223.11	140	25	55	140	25	80	140	25	115
23	248.3	233.17	140	25	55	140	25	80	140	25	115
24	258.4	243.23	140	25	55	140	25	80	140	25	115
25	268.5	253.33	140	25	55	140	25	80	140	25	115
26	278.6	263.4	150	25	55	150	25	80	150	25	115
27	288.6	273.48	150	25	55	150	25	80	150	25	115
28	298.7	283.56	150	25	55	150	25	80	150	25	115
29	308.8	293.65	150	25	55	150	25	80	150	25	115
30	318.9	303.75	150	25	55	150	25	80	150	25	115
31	329	313.85	150	25	55	150	25	80	150	30	115
32	339.1	323.91	150	25	55	150	25	80	150	30	115
33	349.2	334.01	150	25	55	150	25	80	150	30	115
34	359.3	334.1	150	25	55	150	25	80	150	30	115
35	369.4	354.2	150	25	55	150	25	80	150	30	115
36	379.5	364.3	150	25	55	150	30	80	150	30	115
37	389.5	374.39	150	25	55	150	30	80	150	30	115
38	399.6	384.49	150	25	55	150	30	80	150	30	115
39	409.7	394.59	150	25	55	150	30	80	150	30	115
40	419.8	404.56	150	25	55	150	30	80	150	30	115
42	440	424.88	160	30	80	/	/	/	/	/	/
45	470.3	455.17	160	30	80	160	30	101	160	40	121
46	480.4	465.26	160	25	80	160	30	101	/	/	/

48	500.6	485.46	160	25	80	/	/	/	/	/	/
50	520.8	505.65	160	25	80	160	30	101	160	40	121
57	591.5	576.36	160	30	80	180	40	116	200	40	123
60	621.8	606.65	160	30	80	/	/	/	/	/	/
76	783.5	768.32	160	30	80	180	40	116	200	40	123
95	975.2	960.28	168	30	93	200	40	116	/	/	/

## 24B-1-2-3 (38.1X25.4mm)



Pitch	38.1
Roller	25.1
r	38
C	4
h1	24.1
L	23.6
h2	72
h3	120.3

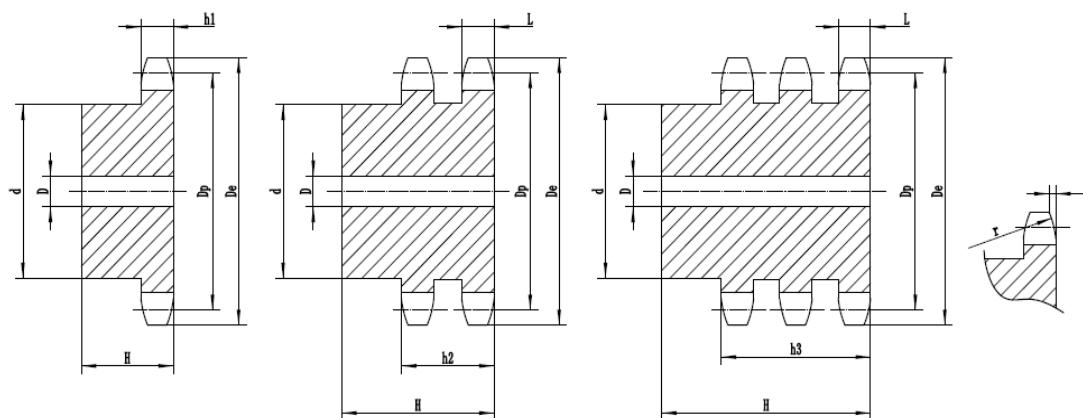
Z	De	Dp	Simplex			Duplex			Triplex		
			d	D	H	d	D	H	d	D	H
			mm	mm	mm	mm	mm	mm	mm	mm	mm
8	115	99.55	58	20	45	58	25	95	58	25	140
9	126.4	111.4	70	20	45	70	25	95	70	25	140
10	138	123.29	80	20	45	80	25	95	80	25	140
11	150	135.21	90	25	50	90	25	100	90	25	150
12	162	147.22	102	25	50	102	25	100	102	25	150
13	174.2	159.18	114	25	50	114	25	100	114	25	150
14	186.2	171.22	128	25	50	128	25	100	128	25	150



15	198.2	183.26	140	25	50	140	25	100	140	25	150
16	210.3	195.3	140	25	55	140	25	100	140	25	150
17	222.3	207.34	140	25	55	150	25	100	150	25	150
18	234.3	219.42	140	25	55	160	25	100	160	25	150
19	246.5	231.49	140	25	55	160	25	100	160	25	150
20	258.6	243.57	140	25	55	160	25	100	160	25	150
21	270.6	255.65	150	25	60	160	25	100	160	30	150
22	282.7	267.73	150	25	60	160	25	100	160	30	150
23	294.8	279.8	150	25	60	160	25	100	160	30	150
24	306.8	291.88	150	25	60	160	25	100	160	30	150
25	319	304	150	25	60	160	25	100	160	30	150
26	331	316.08	160	30	60	160	30	100	160	30	150
27	343.2	328.19	160	30	60	160	30	100	160	30	150
28	355.2	340.27	160	30	60	160	30	100	160	30	150
29	367.3	352.38	160	30	60	160	30	100	160	30	150
30	379.5	364.5	160	30	60	160	30	100	160	30	150
31	391.6	376.62	160	30	60	170	30	100	170	40	150
32	403.7	388.69	160	30	60	170	30	100	170	40	150
33	415.8	400.81	160	30	60	170	30	100	170	40	150
34	427.8	412.93	160	30	60	170	30	100	170	40	150
35	440	425.04	160	30	60	170	30	100	170	40	150
36	452	437.16	160	30	60	170	30	100	170	40	150
37	464.2	449.27	160	30	60	170	30	100	170	40	150
38	476.2	461.39	160	30	60	170	30	100	170	40	150
39	488.8	473.5	160	30	60	170	30	100	170	40	150
40	500.6	485.62	160	30	60	170	30	100	170	40	150
42	524.7	509.85	168	30	99	/	/	/	/	/	/
45	561.2	546.2	168	30	99	180	40	133	200	40	153
46	573.3	558.32	168	30	99	/	/	/	/	/	/

48	597.4	582.55	168	30	99	/	/	/	/	/	/
50	621.7	606.78	168	30	99	180	40	133	200	40	153
57	706.5	691.73	168	30	99	180	40	133	200	40	153
60	742.8	727.97	168	30	99	/	/	/	/	/	/
76	936.9	921.98	178	40	118	200	40	133	220	40	155
95	1167.3	1152.33	178	40	118	/	/	/	/	/	/

## 28B-1-2-3 (44.45X30.99mm)

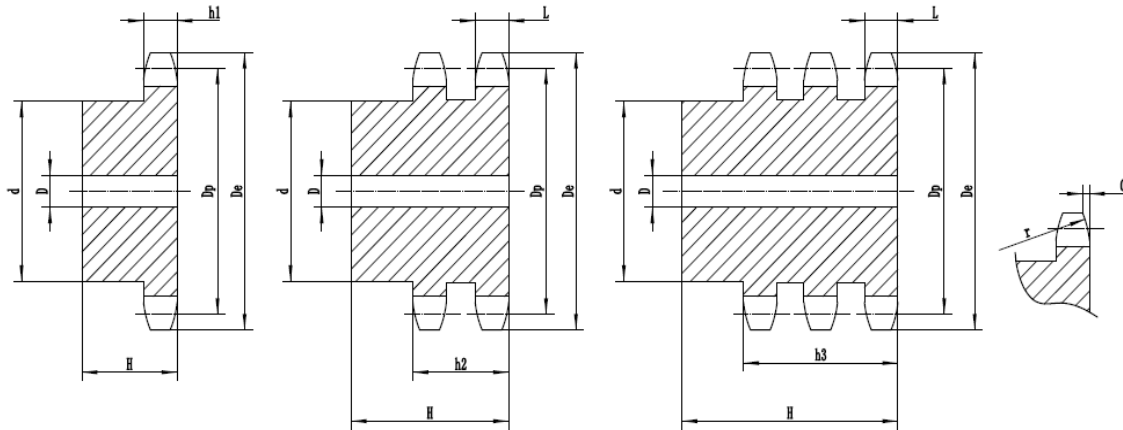


Pitch	44.45
Roller	27.94
r	44
C	5
h1	29.4
L	28.8
h2	88.4
h3	148

Z	De	Dp	Simplex			Duplex			Triplex		
			d	D	H	d	D	H	d	D	H
			mm	mm	mm	mm	mm	mm	mm	mm	mm
8	132	116.15	74	25	70	74	25	120	74	30	180
9	148.4	129.96	88	25	70	88	25	120	88	30	180
10	162.3	143.85	100	25	70	100	25	120	100	30	180
11	176.3	157.77	112	25	70	112	25	120	112	30	180
12	189.3	171.74	125	25	70	125	25	120	125	30	180
13	204.2	185.75	130	25	70	130	25	120	130	30	180
14	218.2	199.76	130	25	70	130	25	120	130	30	180
15	232.3	213.79	145	25	70	145	30	120	145	30	180

16	246.3	227.84	160	30	75	160	30	120	160	30	180
17	260	241.9	160	30	75	160	30	120	160	30	180
18	274	255.98	160	30	75	160	30	120	160	30	180
19	289	270.06	160	30	75	180	30	120	180	30	180
20	303	284.15	160	30	75	180	30	120	180	30	180
21	317	298.24	170	30	75	180	30	120	180	30	180
22	331	312.34	170	30	75	180	30	120	180	30	180
23	345	326.44	170	30	75	180	30	120	180	30	180
24	359	340.55	170	30	75	180	30	120	180	30	180
25	373	354.66	170	30	75	180	30	120	180	40	180
26	387	368.77	170	30	75	180	30	120	180	40	180
27	401	382.88	170	30	75	180	30	120	180	40	180
28	416	397	170	30	75	180	30	120	180	40	180
29	430	411.12	170	30	75	180	30	120	180	40	180
30	444	425.24	170	30	75	180	30	120	180	40	180
31	458	439.37	180	30	75	200	30	120	200	40	180
32	472	453.49	180	30	75	200	30	120	200	40	180
33	486	467.62	180	30	75	200	30	120	200	40	180
34	500	481.75	180	30	75	200	30	120	200	40	180
35	514	495.88	180	30	75	200	30	120	200	40	180
36	529	510.01	180	30	75	200	30	120	200	40	180
37	543	524.13	180	30	75	200	30	120	200	40	180
38	557	538.27	180	30	75	200	30	120	200	40	180
39	571	552.4	180	30	75	200	30	120	200	40	180
40	585	566.54	180	30	75	200	30	120	200	40	180
45	656	637.22	180	30	75	200	40	150	200	40	209
50	726	707.91	180	30	75	200	40	150	/	/	/
57	825	806.9	180	40	123	200	40	150	200	40	209
60	869	849.32	180	40	123	/	/	/	/	/	/
76	1095	1075.62	180	40	123	200	40	150	238	40	217

### 32B-1-2-3 (50.8X30.99mm)

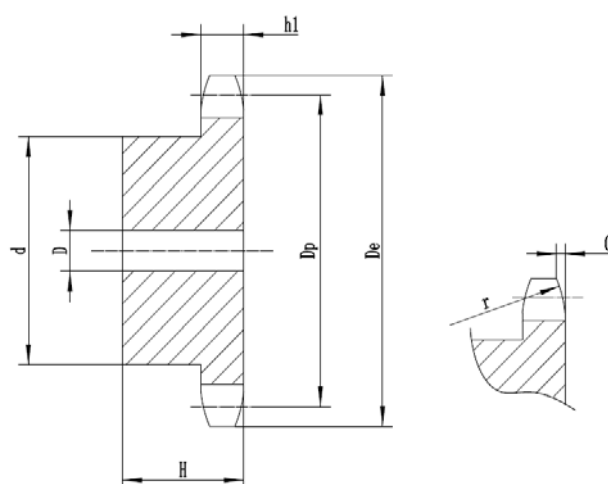


Pitch	50.8
Roller	29.21
r	51
C	6
h1	29.4
L	28.8
h2	87.4
h3	146

Z	De	Dp	Simplex			Duplex			Triplex		
			d	D	H	d	D	H	d	D	H
			mm	mm	mm	mm	mm	mm	mm	mm	mm
8	153.2	132.74	82	25	80	82	30	120	82	30	180
9	169	148.54	88	25	80	88	30	120	88	30	180
10	185	164.39	104	25	80	104	30	120	104	30	180
11	200.8	180.31	120	30	80	120	30	120	120	30	180
12	216.8	196.29	133	30	80	133	30	120	133	30	180
13	232.8	212.29	145	30	80	145	30	120	145	30	180

14	248.8	228.29	160	30	80	160	30	120	160	30	180
15	264.8	244.3	160	30	80	160	30	120	160	30	180
16	280.9	260.4	160	30	90	160	30	120	160	30	180
17	296.9	276.46	170	30	90	180	30	120	180	30	180
18	313	292.55	170	30	90	180	30	120	180	30	180
19	329.1	308.66	170	30	90	200	30	120	200	30	180
20	345.2	324.71	180	30	90	200	30	120	200	30	180
21	361.3	340.82	180	30	90	200	30	120	200	40	180
22	377.5	356.98	180	30	90	200	30	120	200	40	180
23	393.6	373.08	180	30	90	200	30	120	200	40	180
24	409.7	389.18	180	30	90	200	30	120	200	40	180
25	425.8	405.33	180	30	90	200	30	120	200	40	180
26	441.9	421.44	180	30	90	200	30	120	200	40	180
27	458.1	437.59	180	30	90	200	30	120	200	40	180
28	474.2	453.69	180	30	90	200	30	120	200	40	180
29	492	469.85	180	30	90	/	/	/	/	/	/
30	506.5	486	180	30	90	200	30	120	200	40	180
32	538.8	518.27	180	30	90	/	/	/	/	/	/
35	589.5	566.71	180	30	90	/	/	/	/	/	/
38	635.5	615.16	180	30	90	/	/	/	/	/	/
40	670.3	647.47	180	30	90	/	/	/	/	/	/
45	751	728.24	218	40	123	220	40	148	220	40	207
50	831.8	809.04	218	40	123	220	40	148	220	40	207
57	945	922.16	218	40	123	220	40	148	220	40	207
60	993.4	970.65	218	40	123	/	/	/	/	/	/
76	1252	1229.27	218	40	123	220	40	148	238	40	216

# P50



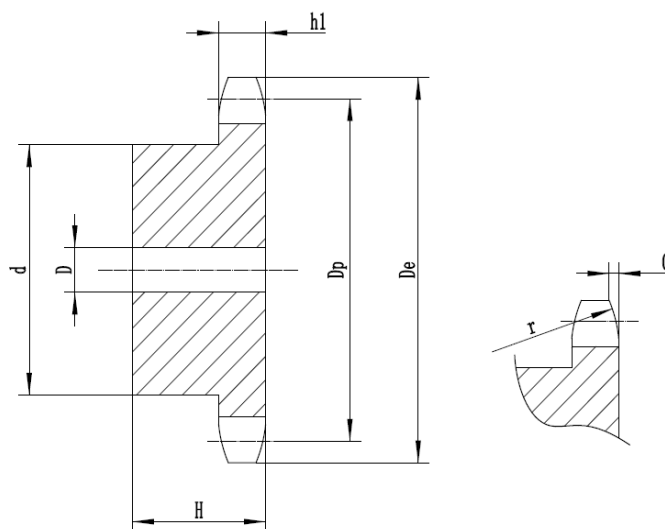
Pitch	50	50
Roller $\phi$	25	31
Inner width	11.5	15
r	50	50
C	3	3
h1	10.5	13.5

Z	P50-R25					Z	P50-R31				
	De	Dp	d	D	H		De	Dp	d	D	H
	mm	mm	mm	mm	mm		mm	mm	mm	mm	mm
6	121	100	58	20	40.5	6	120	100	58	20	43.5
7	136	115.24	58	20	40.5	7	135	115.24	58	20	43.5
8	151.5	130.65	58	20	40.5	8	150.5	130.65	58	20	43.5
9	167	146.2	58	20	40.5	9	166	146.2	58	20	43.5
10	183	161.8	88	25	45.5	10	182	161.8	88	25	48.5
11	198.5	177.5	88	25	45.5	11	197.5	177.5	88	25	48.5
12	214	193.2	88	25	45.5	12	213	193.2	88	25	48.5
13	230	208.95	88	25	45.5	13	229	208.95	88	25	48.5

14	245.5	224.7	88	25	45.5	14	244.5	224.7	88	25	48.5
15	261.5	240.45	88	25	45.5	15	260.5	240.45	88	25	48.5
16	277.5	256.3	118	30	60.5	16	276.5	256.3	118	30	63.5
17	293	272.11	118	30	60.5	17	292	272.11	118	30	63.5
18	309	287.95	118	30	60.5	18	308	287.95	118	30	63.5
19	325	303.8	118	30	60.5	19	324	303.8	118	30	63.5
20	340.5	319.6	118	30	60.5	20	339.5	319.6	118	30	63.5
21	356.5	335.45	118	30	60.5	21	355.5	335.45	118	30	63.5
22	372.5	351.35	118	30	60.5	22	371.5	351.35	118	30	63.5
23	388	367.2	118	30	60.5	23	387	367.2	118	30	63.5
24	404	383.05	118	30	60.5	24	403	383.05	118	30	63.5
25	420	398.95	118	30	60.5	25	419	398.95	118	30	63.5
26	/	/	/	/	/	26	435	414.8	133	30	65
28	467.5	446.55	133	30	62	28	466.5	446.55	133	30	65
30	499.5	478.35	133	30	62	30	498.5	478.35	133	30	65
32	/	/	/	/	/	32	530	510.1	133	30	65
35	579	557.8	133	30	62	35	/	/	/	/	/
38	626.5	605.45	133	30	62	38	625.5	605.45	133	30	65



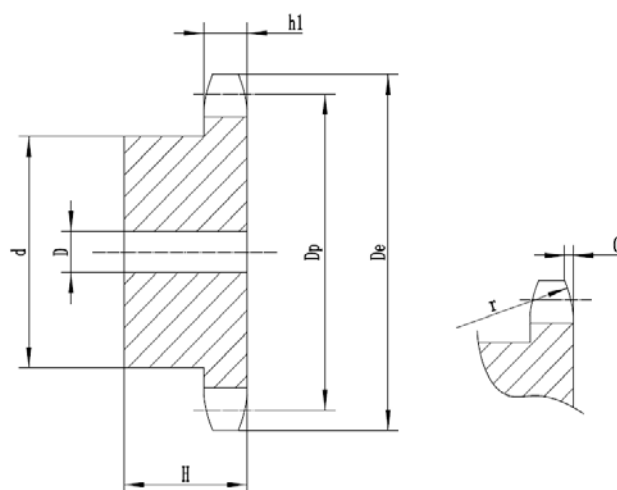
# P50.8



Pitch	50.8
Roller $\phi$	30
Inner width	10.5
r	50
C	3
h1	8.8

Z	P50.8-R30				
	De	Dp	d	D	H
	mm	mm	mm	mm	mm
8	149	132.74	58	20	39
10	182	164.39	88	20	44
12	214	196.27	88	25	44
14	247	228.29	88	25	44
16	279	260.39	118	30	59

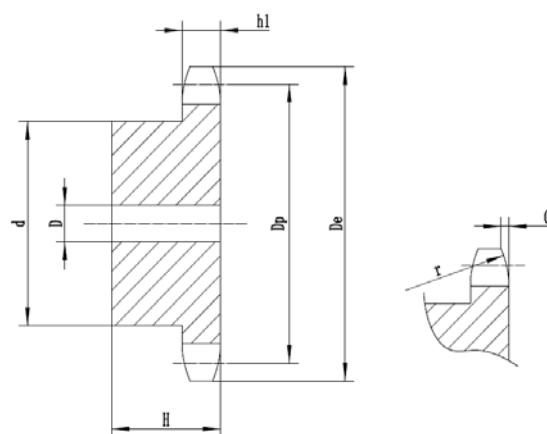
# P75



Pitch	75	75
Roller $\phi$	25	31
Inner width	11.5	15
r	50	50
C	3	3
h1	10.5	13.5

Z	P75-R25					Z	P75-R31				
	De	Dp	d	D	H		De	Dp	d	D	H
	mm	mm	mm	mm	mm		mm	mm	mm	mm	mm
6	/	/	/	/	/	6	168	150	88	25	48.5
8	211	195.98	88	25	45.5	8	215	195.98	88	25	48.5
9	/	/	/	/	/	9	238	219.3	88	25	48.5
10	258	242.7	118	25	60.5	10	261	242.7	118	30	63.5
						11	286	266.25	118	30	63.5
						12	309	289.8	118	30	63.5
						13	333	313.42	118	30	63.5
						14	357	337.05	118	30	63.5
						15	380	360.73	118	30	63.5
						16	404	384.45	133	30	65
						20	499	479.4	133	30	65
						21	523	503.17	133	30	65

# P100



Pitch	100	100
Roller $\phi$	31	40
Inner width	15	22
r	50	50
C	3	3
h1	13.5	20

Z	P50-R25					Z	P50-R31				
	De	Dp	d	D	H		De	Dp	d	D	H
	mm	mm	mm	mm	mm		mm	mm	mm	mm	mm
6	218	200	88	25	48.5	6	220	200	118	25	70
7	249	230.48	88	25	48.5	7	251	230.48	118	25	70
8	280	261.31	118	30	63.5	8	283	261.31	118	30	70
9	311	292.4	118	30	63.5	9	314	292.4	118	30	70
10	342	323.61	118	30	63.5	10	345	323.61	118	30	70
11	375	354.95	118	30	63.5	11	378	354.95	118	30	70
12	406	386.4	118	30	63.5	12	409	386.4	118	30	70
13	437	417.9	118	30	63.5	13	441	417.9	118	30	70
14	469	449.4	118	30	63.5						
15	500	480.97	118	30	63.5						
16	532	512.6	133	30	65						