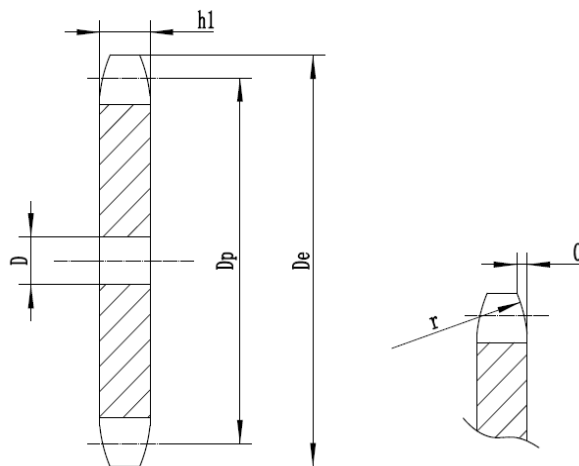


25-1 (6.35X3.18mm)

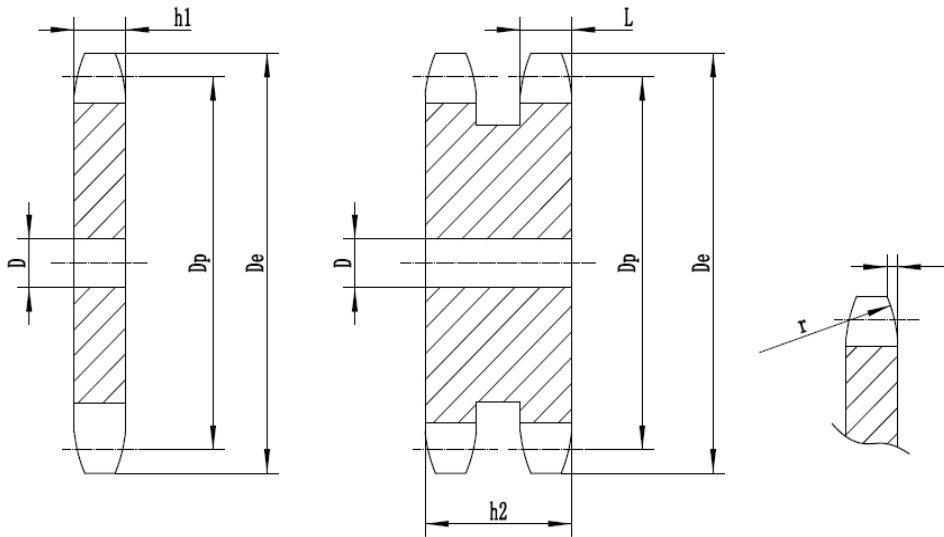


Pitch	6.35
Roller	3.3
r	6.4
C	0.7
h1	2.9

Z	De	Dp	Simplex	Z	De	Dp	Simplex
			D				D
			mm				mm
8	19.4	16.6	6.0	44.0	91.8	89.0	10
9	21.4	18.6	6.0	45.0	93.8	91.0	10
10	23.3	20.6	6.0	46.0	95.8	93.1	10
11	25.3	22.5	8.0	47.0	97.9	95.1	10
12	27.3	24.5	8.0	48.0	99.9	97.1	10
13	29.3	26.5	8.0	49.0	101.9	99.1	10
14	31.3	28.5	8.0	50.0	103.9	101.1	10
15	33.3	30.6	8.0	51.0	105.9	103.1	12

16	35.3	32.6	8.0	52.0	108.0	105.2	12
17	37.3	34.6	8.0	53.0	110.0	107.2	12
18	39.4	36.6	8.0	54.0	112.0	109.2	12
19	41.4	38.6	8.0	55.0	114.0	111.2	12
20	43.4	40.6	8.0	56.0	116.0	113.3	12
21	45.4	42.6	8.0	57.0	118.1	115.3	12
22	47.4	44.6	8.0	58.0	120.1	117.3	12
23	49.4	46.6	8.0	59.0	122.1	119.3	12
24	51.4	48.6	8.0	60.0	124.1	121.3	12
25	53.3	50.7	8.0	62.0	128.2	125.4	12
26	55.5	52.7	8.0	64.0	132.2	129.4	12
27	57.5	54.7	8.0	65.0	134.2	131.4	12
28	59.5	56.7	8.0	66.0	136.2	133.5	14
29	61.5	58.8	8.0	68.0	140.3	137.5	14
30	63.6	60.8	8.0	70.0	144.3	141.5	14
31	65.6	62.8	10.0	72.0	148.4	145.6	14
32	67.6	64.8	10.0	75.0	154.4	151.6	14
33	69.6	66.8	10.0	76.0	156.5	153.7	14
34	71.6	68.8	10.0	78.0	160.5	157.7	16
35	73.6	70.8	10.0	80.0	164.5	161.7	16
36	75.6	72.9	10.0	85.0	174.6	171.9	16
37	77.7	74.9	10.0	90.0	184.7	182.0	16
38	79.7	76.9	10.0	95.0	194.8	192.1	16
39	81.7	78.9	10.0	100.0	204.9	202.2	16
40	83.7	80.9	10.0	110.0	225.1	222.4	16
41	85.7	83.0	10.0	114.0	233.2	230.5	16
42	87.8	85.0	10.0	120.0	245.4	242.6	16
43	89.8	87.0	10.0	125.0	255.5	252.7	16

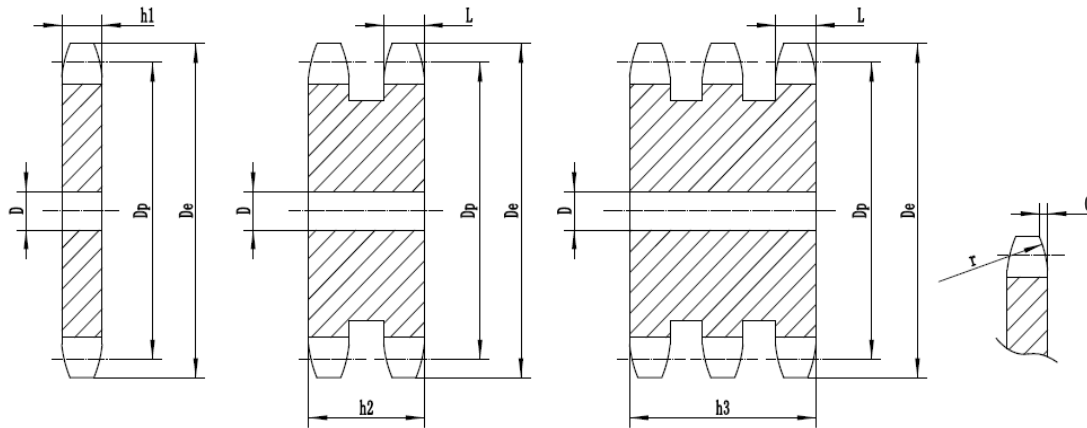
35-1-2 (9.525X4.77mm)



Pitch	9.525
Roller	5.08
r	10
C	1.2
h1	4.4
L	4.3
h2	14.4

Z	De	Dp	Simplex	Duplex	Z	De	Dp	Simplex	Duplex
			D	D				D	D
			mm	mm				mm	mm
30	96	91.12	/	12	45	141.43	136.55	16	16
32	102.06	97.17	12	/	48	150.52	145.64	16	/
36	114.17	109.29	12	/	57	177.79	172.91	16	16
38	120.22	115.34	12	14	76	235.37	230.49	20	20
40	126.28	121.4	12	/					

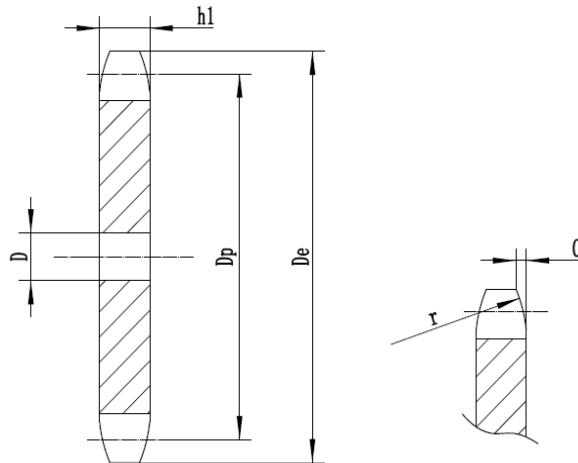
40-1-2-3 (12.7X7.94mm)



Pitch	12.7
Roller	7.94
r	13.5
C	1.6
h1	7.4
L	7.2
h2	21.6
h3	36

Z	De	Dp	Simple	Duplex	Triplex	Z	De	Dp	Simple	Duplex	Triplex			
			x						D	D	D	D	D	D
									mm	mm	mm	mm	mm	mm
30	128.06	121.5	/	/	20	45	188.62	182.06	20	20	25			
32	136.13	129.57	/	16	/	48	200.74	194.18	20	/	/			
38	160.35	153.79	/	20	25	57	237.1	230.54	20	25	25			
40	168.43	161.87	/	20	/	76	313.88	307.32	25	25	25			
42	176.5	169.94	20	/	/	95	390.67	384.11	/	25	/			

50-1 (15.875X9.52mm)

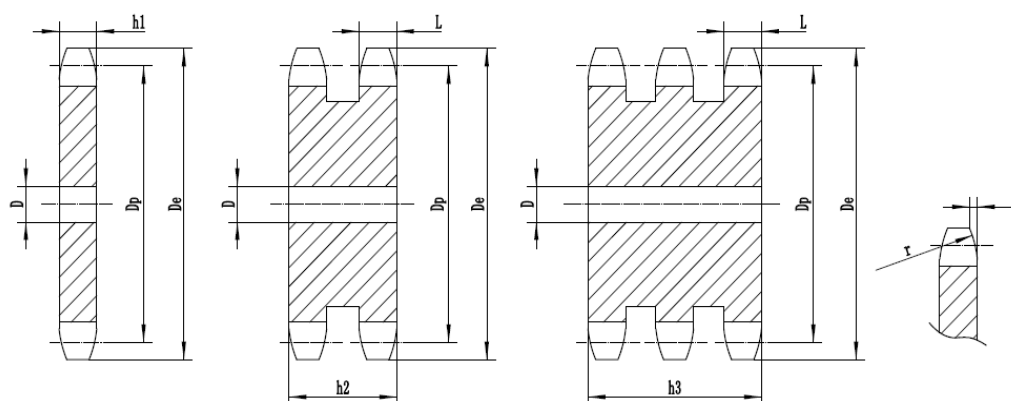


Pitch	15.875
Roller	10.16
r	17
C	2
h1	9

Z	De	Dp	Simplex	Z	De	Dp	Simplex
			D				D
			mm				mm
8	47	41.48	10	44	230	222.53	20
9	52.6	46.42	10	45	235	227.58	20
10	57.5	51.37	10	46	240.1	232.63	20
11	63	56.34	10	47	245.1	237.68	20
12	68	61.34	10	48	250.1	242.73	20
13	73	66.32	10	49	255.2	247.78	20
14	78	71.34	10	50	260.3	252.82	20
15	83	76.36	10	51	265.3	257.87	20

16	88	81.37	12	52	270.4	262.92	20
17	93	86.39	12	53	275.4	267.97	20
18	98.3	91.42	12	54	280.5	273.03	20
19	103.3	96.45	12	55	285.5	278.08	20
20	108.4	101.49	12	56	290.6	283.13	25
21	113.4	106.52	12	57	296	288.18	25
22	118	111.55	12	58	300.7	293.23	25
23	123.4	116.58	12	59	305.7	298.27	25
24	128.3	121.62	12	60	310.8	303.32	25
25	134	126.66	12	62	321.4	313.43	25
26	139	131.7	16	64	331.5	323.53	25
27	144	136.75	16	65	336.5	328.58	25
28	148.7	141.78	16	66	341.6	333.63	25
29	153.8	146.83	16	68	351.7	343.74	25
30	158.8	151.87	16	70	361.8	353.84	25
31	163.9	156.92	16	72	371.9	363.95	25
32	168.9	161.95	16	75	387.1	379.09	25
33	174.5	167	16	76	392.1	384.16	25
34	179	172.05	16	78	402.2	394.25	25
35	184.1	177.1	16	80	412.3	404.35	30
36	189.1	182.15	20	85	437.6	429.62	30
37	194.2	187.2	20	90	462.8	454.88	30
38	199.2	192.24	20	95	488.5	480.14	30
39	204.2	197.29	20	100	513.4	505.4	30
40	209.3	202.34	20	110	563.9	555.92	30
41	214.8	207.39	20	114	584.1	576.13	30
42	219.9	212.44	20	120	614.4	606.44	30
43	224.9	217.49	20	125	639.7	631.51	30

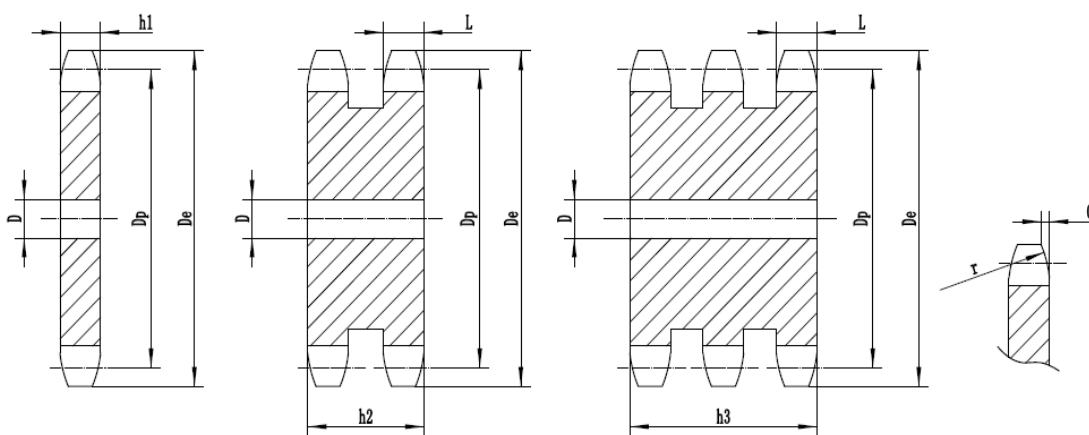
60-1-2-3 (19.05X12.7mm)



Pitch	19.05
Roller	11.91
r	20
C	2.4
h1	12
L	11.8
h2	34.6
h3	57.4

Z	De	Dp	Simplex	Duplex	Triplex	Z	De	Dp	Simplex	Duplex	Triplex
			D	D	D				D	D	D
			mm	mm	mm				mm	mm	mm
30	192.14	182.25	/	/	20	48	301.16	291.27	25	/	/
32	204.24	194.35	/	20	/	57	355.7	345.81	25	25	30
38	240.58	230.69	20	25	25	76	470.87	460.98	25	30	30
40	252.69	242.8	20	25	/	95	586.06	576.17	/	30	/
45	282.98	273.09	25	25	25						

80-1-2-3 (25.4X15.88mm)

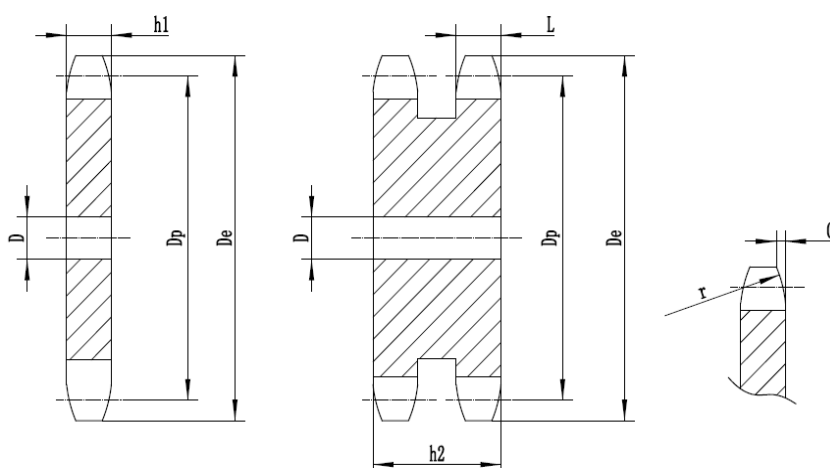


Pitch	25.4
Roller	15.88
r	27
C	3.2
h1	15
L	14.7
h2	44
h3	73.3

Z	De	Dp	Simplex	Duplex	Triplex	Z	De	Dp	Simplex	Duplex	Triplex
			D	D	D				D	D	D
			mm	mm	mm				mm	mm	mm
10	95.32	82.19	15	/	/	24	207.72	194.59	20	/	/
11	103.28	90.14	15	/	/	25	215.78	202.66	20	25	30
12	111.26	98.14	15	/	/	26	223.84	210.72	20	/	/
13	119.26	103.12	15	/	/	27	231.91	218.79	20	/	/
14	127.27	114.15	15	/	/	28	239.98	226.85	20	/	/
15	135.29	122.17	15	/	/	30	256.12	243	20	25	30
16	143.32	130.2	20	/	/	32	272.26	259.13	25	/	/

17	151.35	138.22	20	/	/	35	296.48	283.36	25	/	/
18	159.39	146.28	20	/	/	38	320.7	307.59	25	25	30
19	167.44	154.33	20	/	/	45	377.24	364.12	25	25	30
20	175.49	162.38	20	/	/	50	417.64	404.52	25	/	/
21	183.54	170.43	20	/	/	57	474.2	461.08	25	25	40
22	191.6	178.48	20	/	/	76	627.8	614.64	25	25	40
23	199.66	186.53	20	/	/						

100-1-2 (31.75X19.05mm)

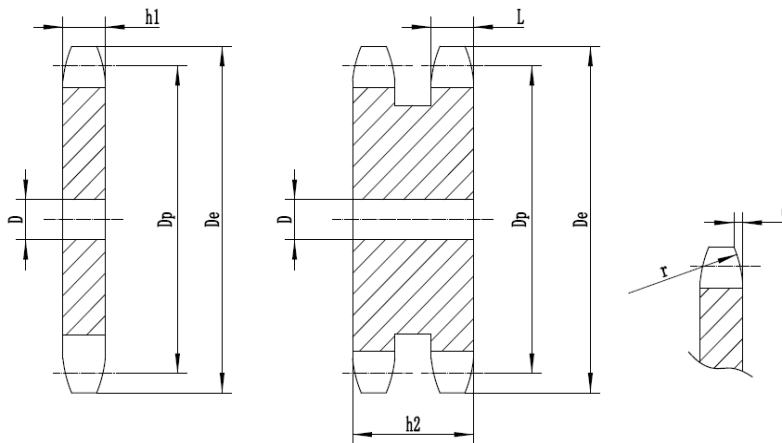


Pitch	31.75
Roller	19.05
r	33.5
C	4
h1	18
L	17.7
h2	53.5

Z	De	Dp	Simplex	Duplex	Z	De	Dp	Simplex	Duplex
			D	D				D	D
			mm	mm				mm	mm
8	98.1	82.96	16	/	26	278.6	263.4	25	/
9	108	92.86	16	/	27	288.6	273.4	25	/
10	117.9	102.74	16	/	28	298.7	283.56	25	/
11	127.8	112.68	16	/	29	308.8	293.65	25	/
12	137.8	122.68	20	/	30	218.9	303.75	25	25
13	147.8	132.65	20	/	31	329	313.85	25	/
14	157.8	142.68	20	/	32	339.1	323.91	25	/

15	167.9	152.72	20	/	33	349.2	334.01	25	/
16	177.9	162.75	25	/	34	359.3	344.1	25	/
17	187.9	172.78	25	/	35	369.4	354.2	25	/
18	198	182.85	25	/	36	379.5	364.3	25	/
19	208.1	192.91	25	/	37	389.5	374.39	25	/
20	218.1	202.98	25	25	38	399.6	384.49	25	30
21	228.2	213.04	25	/	39	409.7	394.59	25	/
22	238.3	223.11	25	/	40	419.8	404.68	25	/
23	248.3	233.17	25	/	45	470.3	455.17	30	30
24	258.4	243.23	25	/	57	591.5	576.36	30	30
25	268.5	253.33	25	25					

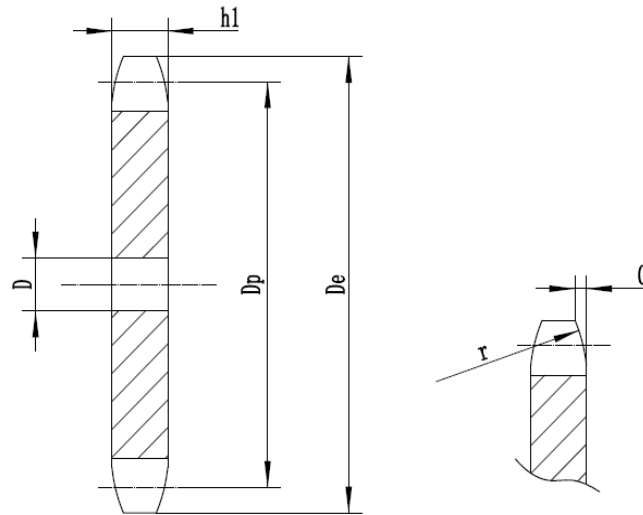
120-1-2 (38.1X25.4mm)



Pitch	38.1
Roller	22.22
r	40.5
C	4.8
h1	24.1
L	23.6
h2	69

Z	De	Dp	Simplex	Duplex	Z	De	Dp	Simplex	Duplex
			D	D				D	D
			mm	mm				mm	mm
16	214.77	195.29	25	/	30	383.97	364.49	25	30
17	226.83	207.35	25	25	32	408.19	388.71	30	/
18	238.89	219.41	25	25	38	480.85	461.37	30	30
20	263.03	243.55	25	25	45	565.67	546.19	30	40
22	287.2	267.72	25	/	57	711.1	691.62	30	40
25	323.47	303.99	25	25					

03B-1 (5X2.5mm)

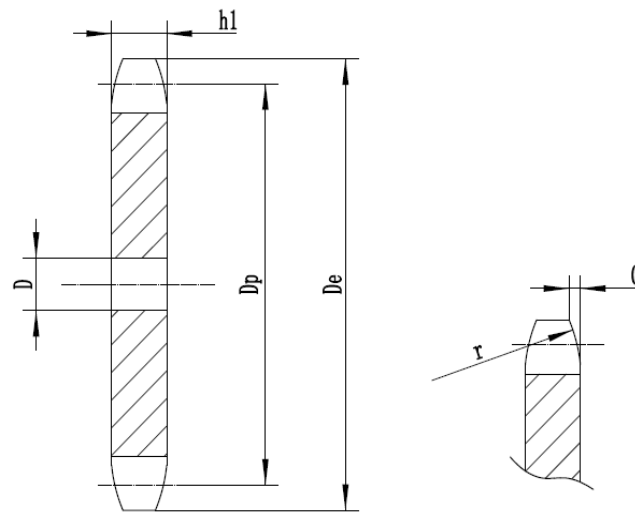


Pitch	5
Roller	3.2
r	5
C	0.6
h1	2.3

Z	De	Dp	Simplex	Z	De	Dp	Simplex
			D				D
			mm				mm
8	15.2	13.06	4	44	72.2	70.09	8
9	16.8	14.62	4	45	73.8	71.68	8
10	18.3	16.18	4	46	75.4	73.27	7.9
11	19.9	17.75	5	47	77	74.86	8
12	21.5	19.32	5	48	78.6	76.45	8
13	23	20.89	5	49	80.2	78.03	8
14	24.6	22.47	5	50	81.8	79.63	8
15	26.2	24.04	5	51	83.4	81.22	10

16	27.8	25.63	6	52	85	82.81	10
17	29.4	27.2	6	53	86.6	84.4	10
18	30.9	28.79	6	54	88.1	85.97	10
19	32.5	30.38	6	55	89.7	87.58	10
20	34.1	31.96	6	56	91.3	89.17	10
21	35.7	33.54	8	57	92.9	90.76	10
22	37.3	35.13	8	58	94.5	92.35	10
23	38.9	36.72	8	59	96.1	93.94	10
24	40.5	38.3	8	60	97.7	95.53	10
25	42	39.89	8	62	100.9	98.72	12
26	43.6	41.48	8	64	104.1	101.9	12
27	45.2	43.07	8	65	105.6	103.49	12
28	46.8	44.65	8	66	107.2	105.08	12
29	48.4	46.25	8	68	110.4	108.26	12
30	50	47.83	8	70	113.6	111.44	12
31	51.5	49.42	8	72	116.8	114.63	12
32	53.2	51.01	8	75	121.6	119.4	12
33	54.8	52.6	8	76	123.1	120.99	12
34	56.3	54.19	8	78	126.3	124.17	12
35	57.9	55.78	8	80	129.5	127.35	12
36	59.5	57.37	8	85	137.5	135.31	14
37	61.1	58.96	8	90	145.4	143.27	14
38	62.7	60.54	8	95	153.4	151.22	14
39	64.3	62.13	8	100	161.3	159.18	14
40	65.9	63.73	8	110	177.2	175.09	14
41	67.5	65.31	8	114	183.6	181.46	14
42	69.1	66.91	8	120	193.2	191.01	14
43	70.6	68.49	8	125	201.1	198.96	14

04B-1 (6X2.8mm)

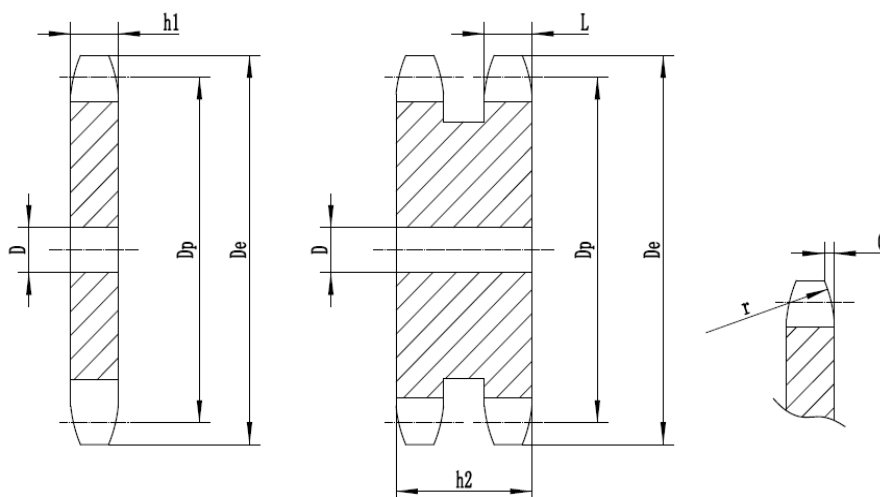


Pitch	6
Roller	4
r	6
C	0.7
h1	2.6

Z	De	Dp	Simplex	Z	De	Dp	Simplex
			D				D
			mm				mm
8	18	15.67	5	44	86.6	84.1	10
9	19.9	17.54	5	45	88.5	86.01	10
10	21.7	19.42	6	46	90.4	87.92	10
11	23.7	21.3	6	47	92.3	89.83	10
12	25.4	23.18	6	48	94.2	91.74	10
13	27.3	25.05	8	49	96.1	93.64	10
14	29.2	26.96	8	50	98	95.55	10
15	31.1	28.86	8	51	99.9	97.47	12

16	33	30.76	8	52	101.8	99.37	12
17	35	32.65	8	53	103.7	101.27	12
18	36.9	34.55	8	54	105.6	103.17	12
19	38.8	36.44	8	55	107.6	105.08	12
20	40.7	38.34	8	56	109.5	107	12
21	42.6	40.25	8	57	111.4	108.93	12
22	44.5	42.16	8	58	113.3	110.82	12
23	46.4	44.06	8	59	115.2	112.71	12
24	48.3	45.96	8	60	117.1	114.62	12
25	50.2	47.87	8	62	120.9	118.45	14
26	52.1	49.77	8	64	124.7	122.27	14
27	54	51.67	8	65	126.6	124.18	14
28	55.9	53.58	8	66	128.5	126.09	14
29	57.8	55.5	8	68	132.4	129.91	14
30	59.8	57.42	8	70	136.2	133.73	14
31	61.7	59.31	8	72	140	137.55	16
32	63.6	61.21	8	75	145.7	143.28	16
33	65.5	63.11	8	76	147.6	145.19	16
34	67.4	65.02	8	78	151.5	149.01	16
35	69.3	66.93	8	80	155.3	152.82	16
36	71.2	68.84	8	85	164.8	162.37	16
37	73.1	70.75	8	90	174.4	171.92	16
38	75	72.66	8	95	183.9	181.47	16
39	76.9	74.56	8	100	193.5	191.01	16
40	78.9	76.47	8	110	211.6	210.11	16
41	80.8	78.38	10	114	220.2	217.75	16
42	82.7	80.28	10	120	231.7	229.2	16
43	84.7	82.19	10	125	241.2	238.75	16

05B-1-2 (8X3mm)

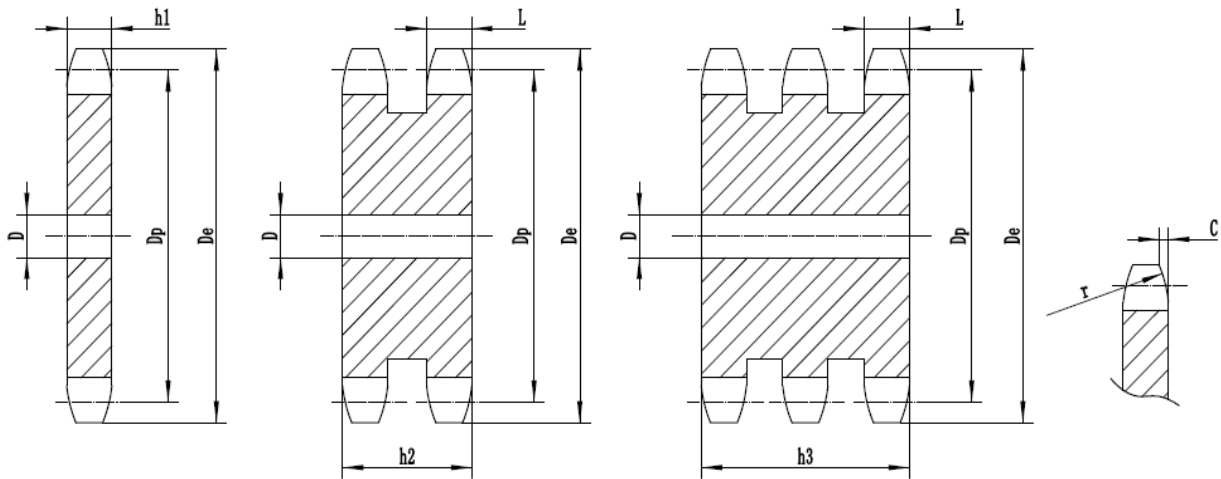


Pitch	8
Roller	5
r	8
C	1
h1	2.8
L	2.7
h2	8.3

Z	De	Dp	Simplex	Duplex	Z	De	Dp	Simplex	Duplex
			D	D				D	D
			mm	mm				mm	mm
8	24	20.9	6	6	44	115.5	112.14	12	14
9	26.6	23.39	6	6	45	118	114.69	12	14
10	29.2	25.89	8	8	46	120.6	117.23	12	14
11	31.7	28.39	8	8	47	123.1	119.77	12	14
12	34.2	30.91	8	8	48	125.6	122.32	12	14
13	36.7	33.42	8	8	49	128.2	124.86	12	14
14	39.2	35.95	8	8	50	130.7	127.41	12	14

15	41.7	38.48	8	8	51	133.3	129.95	14	16
16	44.3	41.01	8	10	52	135.8	132.49	14	16
17	46.8	43.53	8	10	53	138.4	135.04	14	16
18	49.3	46.07	8	10	54	140.9	137.59	14	16
19	51.9	48.61	8	10	55	143.5	140.13	14	16
20	54.4	51.14	8	10	56	146	142.68	14	16
21	57	53.67	8	10	57	148.6	145.22	14	16
22	59.5	56.21	8	10	58	151	147.77	14	16
23	62	58.75	8	10	59	153.6	150.31	14	16
24	64.6	61.29	8	10	60	156.2	152.85	14	16
25	67.5	63.83	8	10	62	162	157.95	16	20
26	69.5	66.37	10	12	64	167.1	163.04	16	20
27	72.2	68.91	10	12	65	169.1	165.58	16	20
28	74.8	71.45	10	12	66	172.2	168.13	16	20
29	77.3	73.99	10	12	68	177.3	173.22	16	20
30	79.8	76.53	10	12	70	182.4	178.31	16	20
31	82.4	79.08	10	12	72	187.5	183.41	20	20
32	84.9	81.61	10	12	75	195.1	191.04	20	20
33	87.5	84.16	10	12	76	197.7	193.59	20	20
34	90	86.7	10	12	78	202.8	198.68	20	20
35	92.5	89.24	10	12	80	207.9	203.77	20	20
36	95	91.79	10	12	85	220.6	216.5	20	20
37	97.6	94.33	10	12	90	233.4	229.23	20	20
38	100.2	96.88	10	12	95	246.1	241.96	20	20
39	102.7	99.42	10	12	100	258.9	254.68	20	20
40	105.2	101.97	10	12	110	284.3	280.15	20	20
41	107.8	104.51	12	14	114	294.5	290.33	20	20
42	110.4	107.05	12	14	120	310	305.61	20	20
43	112.9	109.6	12	14	125	322.5	318.34	20	20

06B-1-2-3 (9.525X5.72mm)

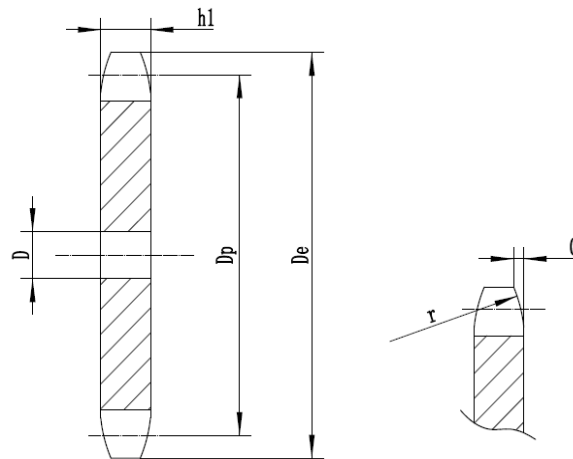


Pitch	9.525
Roller	6.35
r	10
C	1
h1	5.3
L	5.2
h2	15.4
h3	25.6

Z	De	Dp	Simplex	Duplex	Triplex	Z	De	Dp	Simplex	Duplex	Triplex
			D	D	D				D	D	D
			mm	mm	mm				mm	mm	mm
8	28	24.89	6	6	6	44	137.6	133.52	16	16	16
9	31	27.85	7	8	8	45	140.7	136.54	16	16	16
10	34	30.82	7	8	10	46	143.7	139.58	16	16	16
11	37	33.8	8	10	10	47	146.7	142.61	16	16	16
12	40	36.8	8	10	10	48	149.7	145.64	16	16	16
13	43	39.8	8	10	10	49	152.7	148.66	16	16	16
14	46.3	42.8	8	10	10	50	155.7	151.69	16	16	16

15	49.3	45.81	8	10	12	51	158.7	154.72	16	16	20
16	52.3	48.82	10	12	12	52	161.8	157.75	16	16	20
17	55.3	51.83	10	12	12	53	164.8	160.78	16	16	20
18	58.3	54.85	10	12	12	54	167.8	163.82	16	16	20
19	61.3	57.87	10	12	14	55	170.8	166.85	16	16	20
20	64.3	60.89	10	12	14	56	173.8	169.88	16	16	20
21	68	63.91	10	12	14	57	176.9	172.91	16	16	20
22	71	66.93	10	12	14	58	179.9	175.93	16	16	20
23	73.5	69.95	10	12	14	59	183	178.96	16	16	20
24	77	72.97	10	12	14	60	186	181.99	16	16	20
25	80	76	10	12	14	62	192.1	188.06	20	20	20
26	83	79.02	10	12	14	64	198.2	194.12	20	20	20
27	86	82.04	10	12	14	65	201.6	197.15	20	20	20
28	89	85.07	10	12	14	66	204.6	200.18	20	20	25
29	92	88.09	10	12	14	68	210.7	206.24	20	20	25
30	94.7	91.12	10	12	14	70	216.7	212.3	20	20	25
31	98.3	94.15	12	14	16	72	222.8	218.37	20	20	25
32	101.3	97.17	12	14	16	75	231.9	227.46	20	20	25
33	104.3	100.2	12	14	16	76	234.9	230.49	20	20	25
34	107.3	103.23	12	14	16	78	241	236.55	20	20	25
35	110.4	106.26	12	14	16	80	247.1	242.61	20	20	25
36	113.4	109.29	12	14	16	85	262.2	257.77	20	20	25
37	116.4	112.32	12	14	16	90	277.4	272.93	20	20	25
38	119.5	115.34	12	14	16	95	292.5	288.08	20	20	25
39	122.5	118.37	12	14	16	100	307.7	303.25	20	20	25
40	125.5	121.4	12	14	16	110	338	333.55	20	20	25
41	128.5	124.43	16	16	16	114	349.5	345.68	20	20	25
42	131.6	127.46	16	16	16	120	368.3	363.86	20	20	25
43	134.6	130.49	16	16	16	125	383.5	379.02	20	20	25

081-1 (12.7X3.33mm)

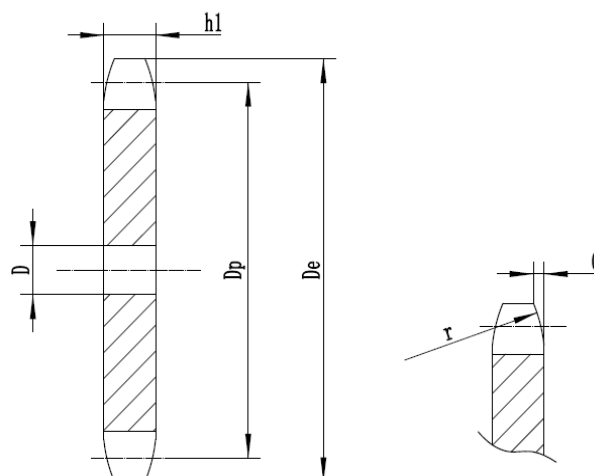


Pitch	12.7
Roller	7.75
r	13
C	1.3
h1	3

Z	De	Dp	Simplex	Z	De	Dp	Simplex
			D				D
			mm				mm
8	37.2	33.18	8	43	179.5	173.99	16
9	41.5	37.13	8	44	183.5	178.03	16
10	46.2	41.1	8	45	187.5	182.07	16
11	49.6	45.07	8	46	191.6	186.1	20
12	53.9	49.07	8	47	195.6	190.14	20
13	58.4	53.06	8	48	199.7	194.18	20
14	62.8	57.07	8	49	203.7	198.22	20
15	66.8	61.09	8	50	207.8	202.26	20
16	70.9	65.1	10	51	211.8	206.3	20

17	74.9	69.11	10	52	215.9	210.34	20
18	78.9	73.14	10	53	219.9	214.37	20
19	82.9	77.16	10	54	224	218.43	20
20	86.9	81.19	10	55	228	222.46	20
21	91	85.22	10	56	232.1	226.5	20
22	95	89.24	10	57	236.1	230.54	20
23	99	93.27	10	58	240.2	234.58	20
24	103	97.29	10	59	244.2	238.62	20
25	107.1	101.33	10	60	248.2	242.66	20
26	111.2	105.36	12	62	256.7	250.75	20
27	115.4	109.4	12	64	264.8	258.82	20
28	119.4	113.42	12	65	268.8	262.86	20
29	123.4	117.46	12	66	272.9	266.9	25
30	127.5	121.5	12	68	280.9	274.99	25
31	131.5	125.54	12	70	289	283.07	25
32	135.5	129.56	12	72	297.1	291.16	25
33	139.6	133.6	12	76	313.3	307.33	25
34	143.6	137.64	12	78	321.4	315.4	25
35	147.6	141.68	12	80	329.4	323.48	25
36	151.7	145.72	16	85	349.7	343.7	25
37	155.7	149.76	16	90	369.9	363.9	25
38	159.8	153.8	16	100	410.3	404.31	25
39	163.8	157.83	16	110	450.7	444.74	25
40	167.8	161.87	16	114	466.9	460.9	25
41	171.4	165.91	16	120	491.2	485.16	25
42	175.4	169.95	16	125	511.4	505.37	25

083-1/084-1 (12.7X4.88mm)

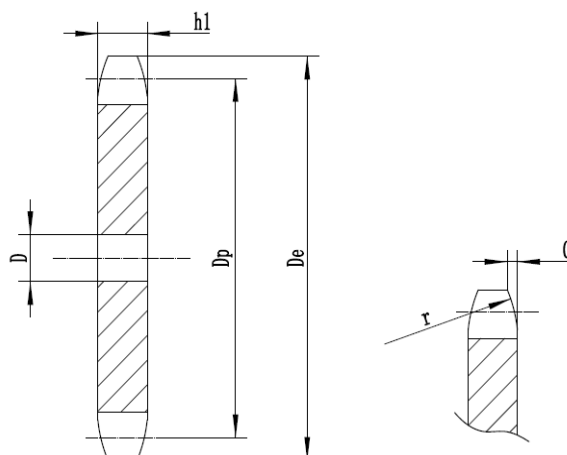


Pitch	12.7
Roller	7.75
r	13
C	1.3
h1	4.5

Z	De	Dp	Simplex	Z	De	Dp	Simplex
			D				D
			mm				mm
8	37.2	33.18	8	43	179.5	173.99	16
9	41.5	37.13	8	44	183.5	178.03	16
10	46.2	41.1	8	45	187.5	182.07	16
11	49.6	45.07	8	46	191.6	186.1	20
12	53.9	49.07	8	47	195.6	190.14	20
13	58.4	53.06	8	48	199.7	194.18	20
14	62.8	57.07	8	49	203.7	198.22	20
15	66.8	61.09	8	50	207.8	202.26	20
16	70.9	65.1	10	51	211.8	206.3	20

17	74.9	69.11	10	52	215.9	210.34	20
18	78.9	73.14	10	53	219.9	214.37	20
19	82.9	77.16	10	54	224	218.43	20
20	86.9	81.19	10	55	228	222.46	20
21	91	85.22	10	56	232.1	226.5	20
22	95	89.24	10	57	236.1	230.54	20
23	99	93.27	10	58	240.2	234.58	20
24	103	97.29	10	59	244.2	238.62	20
25	107.1	101.33	10	60	248.2	242.66	20
26	111.2	105.36	12	62	256.7	250.75	20
27	115.4	109.4	12	64	264.8	258.82	20
28	119.4	113.42	12	65	268.8	262.86	20
29	123.4	117.46	12	66	272.9	266.9	25
30	127.5	121.5	12	68	280.9	274.99	25
31	131.5	125.54	12	70	289	283.07	25
32	135.5	129.56	12	72	297.1	291.16	25
33	139.6	133.6	12	76	313.3	307.33	25
34	143.6	137.64	12	78	321.4	315.4	25
35	147.6	141.68	12	80	329.4	323.48	25
36	151.7	145.72	16	85	349.7	343.7	25
37	155.7	149.76	16	90	369.9	363.9	25
38	159.8	153.8	16	100	410.3	404.31	25
39	163.8	157.83	16	110	450.7	444.74	25
40	167.8	161.87	16	114	466.9	460.9	25
41	171.4	165.91	16	120	491.2	485.16	25
42	175.4	169.95	16	125	511.4	505.37	25

O85-1 (12.7X6.4X7.75mm)

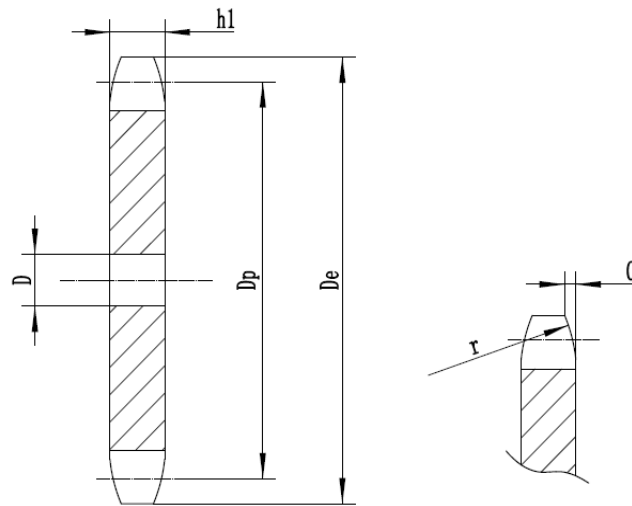


Pitch	12.7
Roller	7.75
r	13
C	1.3
h1	5.9

Z	De	Dp	Simplex	Z	De	Dp	Simplex
			D				D
			mm				mm
8	38.5	33.18	8	43	179.5	173.99	16
9	41.5	37.13	8	44	183.5	178.03	16
10	46.2	41.1	8	45	187.5	182.07	16
11	49.6	45.07	8	46	191.6	186.1	20
12	53.9	49.07	8	47	195.6	190.14	20
13	58.4	53.06	8	48	199.7	194.18	20
14	62.8	57.07	8	49	203.7	198.22	20
15	66.8	61.09	8	50	207.8	202.26	20
16	70.9	65.1	10	51	211.8	206.3	20

17	74.9	69.11	10	52	215.9	210.34	20
18	78.9	73.14	10	53	219.9	214.37	20
19	82.9	77.16	10	54	224	218.43	20
20	86.9	81.19	10	55	228	222.46	20
21	91	85.22	10	56	232.1	226.5	20
22	95	89.24	10	57	236.1	230.54	20
23	99	93.27	10	58	240.2	234.58	20
24	103	97.29	10	59	244.2	238.62	20
25	107.1	101.33	10	60	248.2	242.66	20
26	111.2	105.36	12	62	256.7	250.75	20
27	115.4	109.4	12	64	264.8	258.82	20
28	119.4	113.42	12	65	268.8	262.86	20
29	123.4	117.46	12	66	272.9	266.9	25
30	127.5	121.5	12	68	280.9	274.99	25
31	131.5	125.54	12	70	289	283.07	25
32	135.5	129.56	12	72	297.1	291.16	25
33	139.6	133.6	12	76	313.3	307.33	25
34	143.6	137.64	12	78	321.4	315.4	25
35	147.6	141.68	12	80	329.4	323.48	25
36	151.7	145.72	16	85	349.7	343.7	25
37	155.7	149.76	16	90	369.9	363.9	25
38	159.8	153.8	16	100	410.3	404.31	25
39	163.8	157.83	16	110	450.7	444.74	25
40	167.8	161.87	16	114	466.9	460.9	25
41	171.4	165.91	16	120	491.2	485.16	25
42	175.4	169.95	16	125	511.4	505.37	25

O85-1 (12.7X6.4X8.51mm)

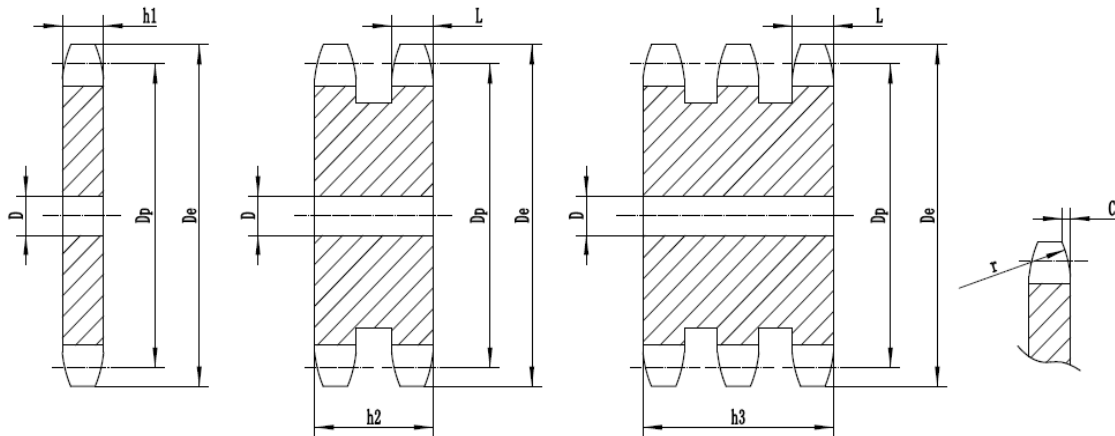


Pitch	12.7
Roller	8.51
r	13
C	1.3
h1	5.9

Z	De	Dp	Simplex	Z	De	Dp	Simplex
			D				D
			mm				mm
8	37.2	33.18	8	43	179.7	173.99	16
9	41	37.13	8	44	183.8	178.03	16
10	45.2	41.1	8	45	188	182.07	16
11	48.7	45.07	8	46	192.1	186.1	20
12	53	49.07	8	47	196.2	190.14	20
13	57.4	53.06	8	48	200.3	194.18	20
14	61.8	57.07	8	49	204.3	198.22	20
15	65.5	61.09	8	50	208.3	202.26	20
16	69.5	65.1	10	51	212.1	206.3	20

17	73.6	69.11	10	52	216.1	210.34	20
18	77.8	73.14	10	53	220.2	214.37	20
19	81.7	77.16	10	54	224.1	218.43	20
20	85.8	81.19	10	55	228.1	222.46	20
21	89.7	85.22	10	56	232.1	226.5	20
22	93.8	89.24	10	57	236.4	230.54	20
23	98.2	93.27	10	58	240.5	234.58	20
24	101.8	97.29	10	59	244.5	238.62	20
25	105.8	101.33	10	60	248.6	242.66	20
26	110	105.36	12	62	256.9	250.75	20
27	114	109.4	12	64	265.1	258.82	20
28	118	113.42	12	65	269	262.86	20
29	122	117.46	12	66	273	266.9	25
30	126.1	121.5	12	68	281	274.99	25
31	130.2	125.54	12	70	289	283.07	25
32	134.2	129.56	12	72	297.2	291.16	25
33	138.4	133.6	12	76	313.3	307.33	25
34	142.6	137.64	12	78	321.4	315.4	25
35	146.7	141.68	12	80	329.4	323.48	25
36	151	145.72	16	85	349	343.7	25
37	154.6	149.76	16	90	369.9	363.9	25
38	158.6	153.8	16	100	410.3	404.31	25
39	162.7	157.83	16	110	450.7	444.74	25
40	166.8	161.87	16	114	466.9	460.9	25
41	171.4	165.91	16	120	491.2	485.16	25
42	175.4	169.95	16	125	511.3	505.37	25

08B-1-2-3 (12.7X7.75mm)

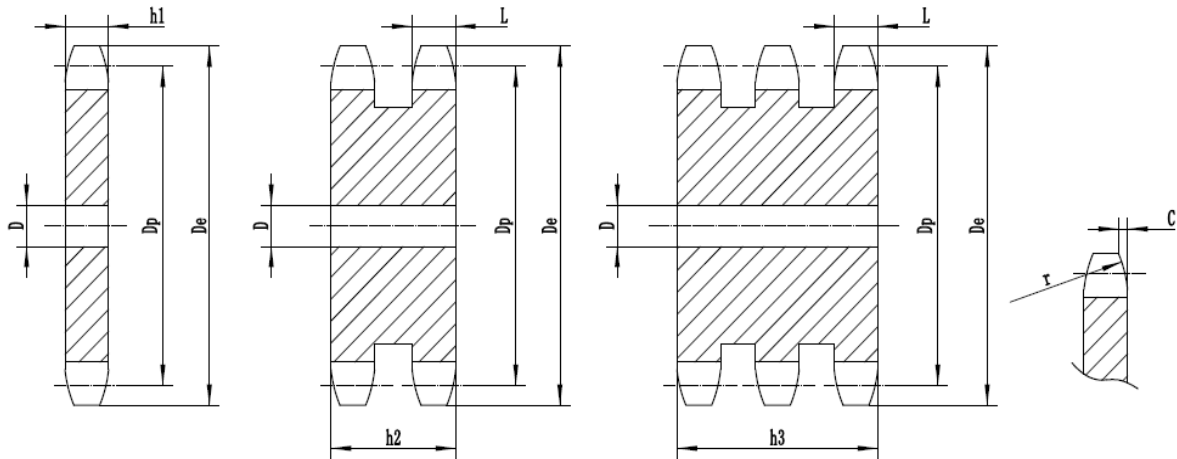


Pitch	12.7
Roller	8.51
r	13
C	1.3
h1	7.2
L	7
h2	21
h3	34.9

Z	De	Dp	Simplex	Duplex	Triplex	Z	De	Dp	Simplex	Duplex	Triplex
			D	D	D				D	D	D
			mm	mm	mm				mm	mm	mm
8	37.2	33.18	8	10	10	44	183.8	178.03	20	20	25
9	41	37.13	8	10	10	45	188	182.07	20	20	25
10	45.2	41.1	8	10	10	46	192.1	186.1	20	20	25
11	48.7	45.07	10	10	12	47	196.2	190.14	20	20	25
12	53	49.07	10	10	12	48	200.3	194.18	20	20	25
13	57.4	53.06	10	10	12	49	204.3	198.22	20	20	25
14	61.8	57.07	10	10	12	50	208.3	202.26	20	20	25

15	65.5	61.09	10	10	12	51	212.1	206.3	20	25	25
16	69.5	65.1	10	12	16	52	216.1	210.34	20	25	25
17	73.6	69.11	10	12	16	53	220.2	214.37	20	25	25
18	77.8	73.14	10	12	16	54	224.1	218.43	20	25	25
19	81.7	77.16	10	12	16	55	228.1	222.46	20	25	25
20	85.8	81.19	10	12	16	56	232.1	226.5	20	25	25
21	89.7	85.22	12	16	16	57	236.4	230.54	20	25	25
22	93.8	89.24	12	16	16	58	240.5	234.58	20	25	25
23	98.2	93.27	12	16	16	59	244.5	238.62	20	25	25
24	101.8	97.29	12	16	16	60	248.6	242.66	20	25	25
25	105.8	101.33	12	16	16	62	256.9	250.75	25	25	25
26	110	105.36	16	16	16	64	265.1	258.82	25	25	25
27	114	109.4	16	16	16	65	269	262.86	25	25	25
28	118	113.42	16	16	16	66	273	266.9	25	25	25
29	122	117.46	16	16	16	68	281	274.99	25	25	25
30	126.1	121.5	16	16	16	70	289	283.07	25	25	25
31	130.2	125.54	16	16	20	72	297.2	291.16	25	25	25
32	134.2	129.56	16	16	20	75	309.2	303.27	25	25	25
33	138.4	133.6	16	16	20	76	313.3	307.33	25	25	25
34	142.6	137.64	16	16	20	78	321.4	315.4	25	25	25
35	146.7	141.68	16	16	20	80	329.4	323.48	25	25	25
36	151	145.72	16	20	20	85	349	343.7	25	25	25
37	154.6	149.76	16	20	20	90	369.9	363.9	25	25	25
38	158.6	153.8	16	20	20	95	390.1	384.11	25	25	25
39	162.7	157.83	16	20	20	100	410.3	404.31	25	25	25
40	166.8	161.87	16	20	20	110	450.7	444.74	25	25	25
41	171.4	165.91	20	20	25	114	466.9	460.9	25	25	25
42	175.4	169.95	20	20	25	120	491.2	485.16	25	25	25
43	179.7	173.99	20	20	25	125	511.3	505.37	25	25	25

10B-1-2-3 (15.875X9.65mm)

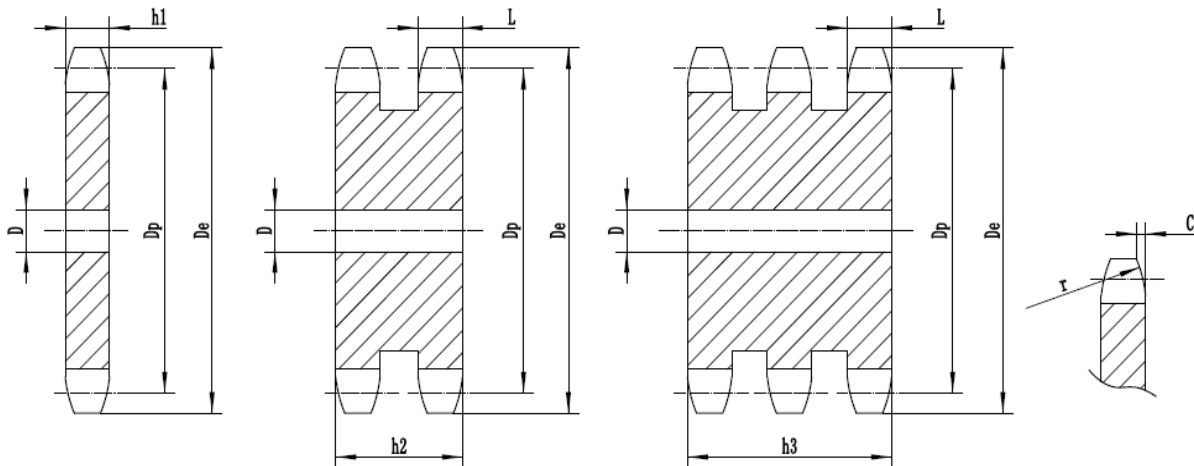


Pitch	15.875
Roller	10.16
r	16
C	1.6
h1	9.1
L	9
h2	25.5
h3	42.1

Z	De	Dp	Simplex	Duplex	Triplex	Z	De	Dp	Simplex	Duplex	Triplex
			D	D	D				D	D	D
			mm	mm	mm				mm	mm	mm
8	47	41.48	10	10	12	44	230	222.53	20	20	25
9	52.6	46.42	10	10	12	45	235	227.58	20	20	25
10	57.5	51.37	10	10	12	46	240.1	232.63	20	25	25
11	63	56.34	10	12	12	47	245.1	237.68	20	25	25
12	68	61.34	10	12	12	48	250.2	242.73	20	25	25
13	73	66.32	10	12	12	49	255.2	247.78	20	25	25
14	78	71.34	10	12	12	50	260.3	252.82	20	25	25

15	83	76.36	10	12	12	51	265.3	257.87	20	25	25
16	88	81.37	12	12	16	52	270.4	262.92	20	25	25
17	93	86.39	12	12	16	53	275.4	267.97	20	25	25
18	98.3	91.42	12	12	16	54	280.5	273.03	20	25	25
19	103.3	96.45	12	12	16	55	285.5	278.08	20	25	25
20	108.4	101.49	12	12	16	56	290.6	283.13	25	25	25
21	113.4	106.52	12	16	16	57	296	288.18	25	25	25
22	118	111.55	12	16	16	58	300.7	293.23	25	25	25
23	123.4	116.58	12	16	16	59	305.7	298.27	25	25	25
24	128.3	121.62	12	16	16	60	310.8	303.32	25	25	25
25	134	126.66	12	16	16	62	321.4	313.43	25	25	30
26	139	131.7	16	16	20	64	331.5	323.53	25	25	30
27	144	136.75	16	16	20	65	336.5	328.58	25	25	30
28	148.7	141.78	16	16	20	66	341.6	333.63	25	25	30
29	153.8	146.83	16	16	20	68	351.7	343.74	25	25	30
30	158.8	151.87	16	16	20	70	361.8	353.84	25	25	30
31	163.9	156.92	16	20	20	72	371.9	363.95	25	25	30
32	168.9	161.95	16	20	20	75	387.1	379.09	25	25	30
33	174.5	167	16	20	20	76	392.1	384.16	25	25	30
34	179	172.05	16	20	20	78	402.2	394.25	25	25	30
35	184.1	177.1	16	20	20	80	412.3	404.35	25	25	30
36	189.1	182.15	20	20	25	85	437.6	429.62	30	30	30
37	194.2	187.2	20	20	25	90	462.8	454.88	30	30	30
38	199.2	192.24	20	20	25	95	488.5	480.14	30	30	30
39	204.2	197.29	20	20	25	100	513.4	505.4	30	30	30
40	209.3	202.34	20	20	25	110	563.9	555.92	30	30	30
41	214.8	207.39	20	20	25	114	584.1	576.13	30	30	30
42	219.9	212.44	20	20	25	120	614.8	606.44	30	30	30
43	224.9	217.49	20	20	25	125	639.7	631.71	30	30	30

12B-1-2-3 (19.05X11.68mm)

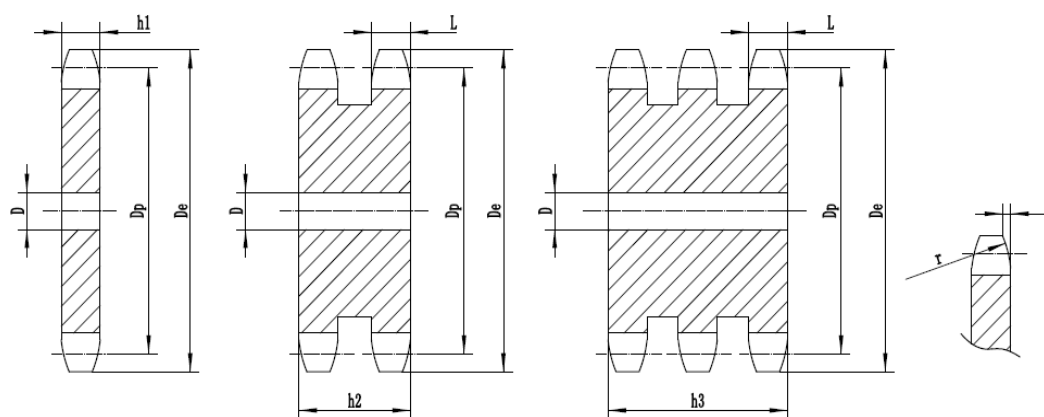


Pitch	19.05
Roller	12.07
r	19
C	2
h1	11.1
L	10.8
h2	30.3
h3	49.8

Z	De	Dp	Simplex	Duplex	Triplex	Z	De	Dp	Simplex	Duplex	Triplex
			D	D	D				D	D	D
			mm	mm	mm				mm	mm	mm
8	57.6	49.78	12	12	12	44	276.5	267.03	25	25	25
9	62	55.7	12	12	12	45	282.5	273.1	25	25	25
10	69	61.64	12	12	12	46	287.9	279.16	25	25	25
11	75	67.61	14	14	16	47	294	285.21	25	25	25
12	91.5	73.6	14	14	16	48	300.1	291.27	25	25	25
13	87.5	79.59	14	14	16	49	306.2	297.33	25	25	25
14	93.6	85.61	14	14	16	50	312.3	303.39	25	25	25

15	99.8	91.63	14	14	16	51	318.4	309.45	25	25	25
16	105.5	97.65	14	16	16	52	324.5	315.5	25	25	25
17	111.5	103.67	14	16	16	53	330.5	321.56	25	25	25
18	118	109.71	14	16	16	54	336.6	327.64	25	25	25
19	124.2	115.75	14	16	16	55	342.7	333.7	25	25	25
20	129.7	121.78	14	16	16	56	348.7	339.75	25	25	30
21	136	127.82	16	16	20	57	355.4	345.81	25	25	30
22	141.8	133.86	16	16	20	58	361.5	351.87	25	25	30
23	149	139.9	16	16	20	59	367.5	357.93	25	25	30
24	153.9	145.94	16	16	20	60	373	363.99	25	25	30
25	160	152	16	16	20	62	385.1	376.12	25	30	30
26	165.9	158.04	16	20	20	64	397.2	388.24	25	30	30
27	172.3	164.09	16	20	20	65	403.2	394.29	25	30	30
28	178	170.13	16	20	20	66	409.2	400.35	30	30	30
29	184.1	176.19	16	20	20	68	421.4	412.49	30	30	30
30	190.5	182.25	16	20	20	70	433.6	424.6	30	30	30
31	196.3	188.31	20	20	25	72	447	436.74	30	30	30
32	203.3	194.35	20	20	25	75	463.9	454.91	30	30	30
33	209.3	200.4	20	20	25	76	469.9	460.99	30	30	30
34	214.6	206.46	20	20	25	78	482.1	473.1	30	30	30
35	221	212.52	20	20	25	80	494.2	485.22	30	30	30
36	226.8	218.58	20	25	25	85	524.5	515.55	30	30	30
37	232.9	224.64	20	25	25	90	554.8	545.86	30	30	30
38	239	230.69	20	25	25	95	585.1	576.17	30	30	30
39	245.1	236.75	20	25	25	100	615.4	606.47	30	30	30
40	251.3	242.81	20	25	25	110	676.1	667.11	30	30	30
41	257.3	248.87	25	25	25	114	700.6	691.36	30	30	30
42	264.5	254.93	25	25	25	120	736.7	727.74	30	30	30
43	270.5	260.98	25	25	25	125	767	758.05	30	30	30

16B-1-2-3 (25.4X17.02mm)

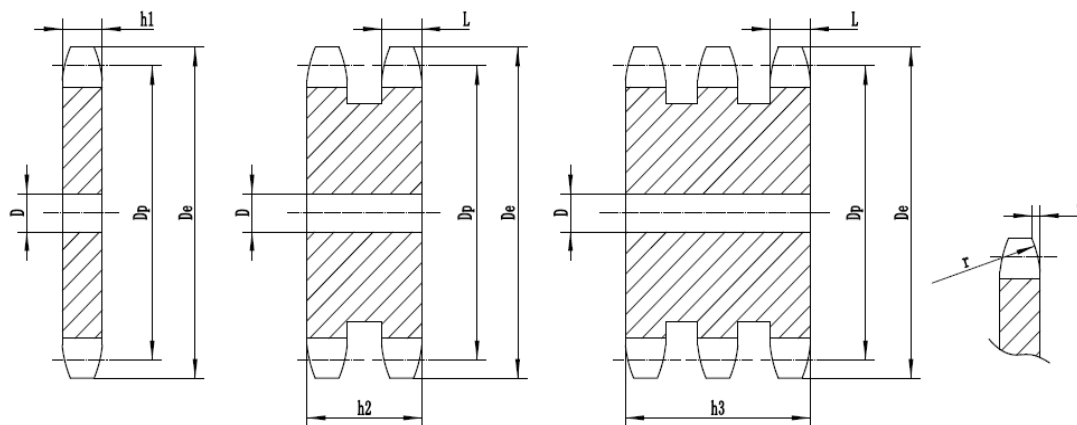


Pitch	25.4
Roller	15.88
r	26
C	2.5
h1	16.2
L	15.8
h2	47.7
h3	79.6

Z	De	Dp	Simplex	Duplex	Triplex	Z	De	Dp	Simplex	Duplex	Triplex
			D	D	D				D	D	D
			mm	mm	mm				mm	mm	mm
8	77	66.37	12	16	20	44	369.1	356.06	25	25	30
9	85	74.27	12	16	20	45	377.1	364.12	25	25	30
10	93	82.19	15	16	20	46	385.2	372.21	25	30	30
11	99.5	90.14	15	20	20	47	393.2	380.29	25	/	/
12	109	98.14	15	20	20	48	401.3	388.36	25	30	30
13	117	106.12	15	20	20	49	409.3	396.44	25	/	/
14	125	114.15	15	20	20	50	417.4	404.52	25	30	30

15	133	122.17	15	20	20	51	425.5	412.6	30	30	40
16	141	130.2	19	20	30	52	433.6	420.67	30	30	40
17	149	138.22	19	20	30	53	441.7	428.75	30	/	/
18	157	146.28	19	20	30	54	448.3	436.85	30	/	/
19	165.2	154.33	19	20	30	55	457.9	444.93	30	30	40
20	173.2	162.38	19	20	30	56	466	453.01	30	30	/
21	181.2	170.43	20	25	30	57	474	461.07	30	30	40
22	189.3	178.48	20	25	30	58	482.1	469.16	30	/	/
23	197.5	186.53	20	25	30	59	490.2	477.24	30	/	/
24	205.5	194.59	20	25	30	60	498.3	485.32	30	30	40
25	213.5	202.66	20	25	30	62	514.5	501.5	30	30	/
26	221.6	210.72	20	25	30	64	530.7	517.65	30	/	/
27	229.6	218.79	20	25	30	65	538.8	525.73	30	30	40
28	237.7	226.85	20	25	30	66	546.8	533.8	30	/	/
29	245.8	234.92	20	25	30	68	562.9	549.98	30	30	40
30	254	243	20	25	30	70	579.2	566.14	30	30	40
31	262	251.08	25	25	30	72	595.4	582.32	30	30	40
32	270	259.13	25	25	30	75	619.7	606.55	30	30	40
33	278.5	267.21	25	25	30	76	627	614.65	30	30	40
34	287	275.28	25	25	30	78	643.3	630.8	30	/	/
35	296.2	283.36	25	25	30	80	660	646.96	30	30	40
36	304.6	291.44	25	25	30	85	699.9	687.4	30	30	40
37	312.6	299.51	25	25	30	90	740.3	727.81	30	30	40
38	320.7	307.59	25	25	30	95	781.1	768.22	30	30	40
39	328.8	315.67	25	25	30	100	821.1	808.63	30	30	40
40	336.9	323.73	25	25	30	110	902	889.48	30	30	40
41	345	331.82	25	/	/	114	934.3	921.81	30	40	40
42	353	339.9	25	25	30	120	982.8	970.33	30	40	40
43	361.1	347.98	25	25	/	125	1023.2	1010.73	30	40	40

20B-1-2-3 (31.75X19.56mm)

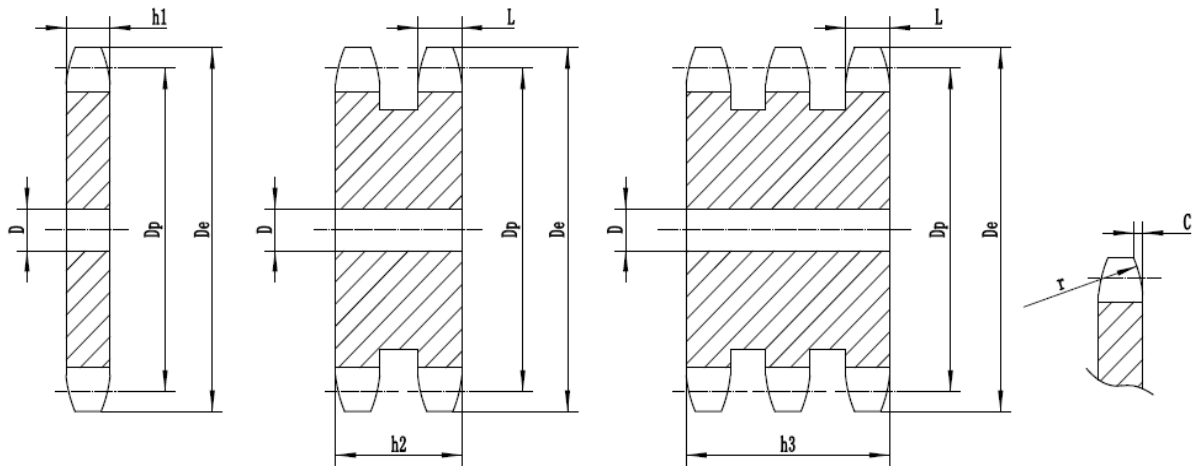


Pitch	31.75
Roller	19.05
r	32
C	3.5
h1	18.5
L	18.2
h2	54.6
h3	91

Z	De	Dp	Simplex	Duplex	Triplex	Z	De	Dp	Simplex	Duplex	Triplex
			D	D	D				D	D	D
			mm	mm	mm				mm	mm	mm
8	98.1	82.96	16	20	20	42	440	424.88	30	30	40
9	108	92.84	16	20	20	43	450.1	434.97	30	/	/
10	117.9	102.74	16	20	20	44	460.2	445.07	30	/	/
11	127.8	112.68	20	20	20	45	470.3	455.17	30	30	40
12	137.8	122.68	20	20	20	46	480.4	465.26	30	30	40
13	147.8	132.65	20	20	20	47	490.5	475.36	30	/	/
14	157.8	142.68	20	20	20	48	500.6	485.46	30	30	40

15	167.9	152.72	20	20	20	49	510.7	495.55	30	/	/
16	177.9	162.75	20	25	25	50	520.8	505.65	30	30	40
17	187.9	172.78	20	25	25	51	530.9	515.75	30	/	/
18	198	182.85	20	25	25	52	541	525.84	30	30	40
19	208.1	192.91	20	25	25	53	551.1	535.94	30	/	/
20	218.1	202.98	20	25	25	54	561.2	546.07	30	/	/
21	228.2	213.04	25	25	25	55	571.3	556.16	30	30	40
22	238.2	223.11	25	25	25	56	581.4	566.26	30	/	/
23	248.3	233.17	25	25	25	57	591.5	576.36	30	30	40
24	258.4	243.23	25	25	25	58	601.6	586.45	30	/	/
25	268.5	253.33	25	25	25	59	611.7	596.55	30	/	/
26	278.6	263.4	25	25	25	60	621.8	606.65	30	30	40
27	288.6	273.48	25	25	25	62	642	626.87	30	/	/
28	298.7	283.56	25	25	25	64	662.2	647.06	30	/	/
29	308.8	293.65	25	25	25	65	672.3	657.16	30	30	40
30	318.9	303.75	25	25	25	66	682.4	667.26	30	/	/
31	329	313.85	25	25	30	68	702.6	687.48	30	/	/
32	339.1	323.91	25	25	30	70	722.8	707.67	30	30	40
33	349.2	334.01	25	25	30	72	743.1	727.9	30	/	/
34	359.3	334.1	25	25	30	75	773	758.19	30	/	/
35	369.4	354.2	25	25	30	76	783.5	768.32	30	30	40
36	379.5	364.3	25	30	30	80	823.9	808.72	30	30	40
37	389.5	374.39	25	30	30	85	874.4	859.25	30	/	/
38	399.6	384.49	25	30	30	90	924.9	909.76	30	/	/
39	409.7	394.59	25	30	30	95	975.2	960.28	30	30	40
40	419.8	404.56	25	30	30	100	1026	1010.8	30	/	/
41	429.9	414.78	30	/	/	114	1167.4	1152.3	30	30	40

24B-1-2-3 (38.1X25.4mm)

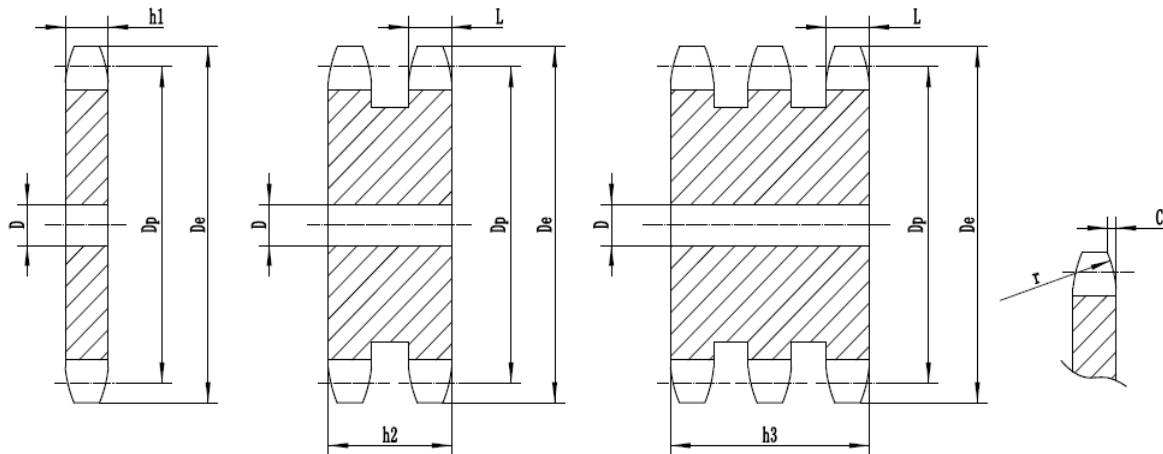


Pitch	38.1
Roller	25.1
r	38
C	4
h1	24.1
L	23.6
h2	72
h3	120.3

Z	De	Dp	Simplex	Duplex	Triplex	Z	De	Dp	Simplex	Duplex	Triplex
			D	D	D				D	D	D
			mm	mm	mm				mm	mm	mm
8	115	99.55	20	25	25	41	512.6	497.74	30	/	/
9	126.4	111.4	20	25	25	42	524.7	509.85	30	40	40
10	138	123.29	20	25	25	43	536.8	521.97	30	/	/
11	150	135.21	20	25	25	44	549	534.08	30	/	/
12	162	147.22	20	25	25	45	561.2	546.2	30	40	40
13	174.2	159.18	20	25	25	46	573.3	558.32	30	40	40

14	186.2	171.22	20	25	25	47	585.4	570.43	30	/	/
15	198.2	183.26	20	25	25	48	597.4	582.55	30	40	40
16	210.3	195.3	25	25	25	49	609.5	594.66	30	/	/
17	222.3	207.34	25	25	25	50	621.7	606.78	30	40	40
18	234.3	219.42	25	25	25	51	633.8	618.89	30	/	/
19	246.5	231.49	25	25	25	52	646	631.01	30	/	/
20	258.6	243.57	25	25	25	53	658	643.13	30	/	/
21	270.6	255.65	25	25	30	54	670.2	655.25	30	/	/
22	282.7	267.73	25	25	30	55	682.3	667.4	30	40	40
23	294.8	279.8	25	25	30	56	694.4	679.5	30	/	/
24	306.8	291.88	25	25	30	57	706.5	691.73	30	40	40
25	319	304	25	25	30	58	718.6	703.74	30	/	/
26	331	316.08	30	30	30	59	730.7	715.86	30	/	/
27	343.2	328.19	30	30	30	60	742.8	727.97	30	40	40
28	355.2	340.27	30	30	30	62	767.2	752.24	40	/	/
29	367.3	352.38	30	30	30	64	791.3	776.48	40	/	/
30	379.5	364.5	30	30	40	65	803.4	788.59	40	40	40
31	391.6	376.62	30	40	40	66	815.6	800.17	40	/	/
32	403.7	388.69	30	40	40	68	839.8	824.98	40	/	/
33	415.8	400.81	30	40	40	70	864.2	849.21	40	/	/
34	427.8	412.93	30	40	40	72	888.4	873.48	40	/	/
35	440	425.04	30	40	40	75	924.8	909.83	40	/	/
36	452	437.16	30	40	40	76	936.9	921.98	40	40	40
37	464.2	449.27	30	40	40	80	985.4	970.44	40	/	/
38	476.2	461.39	30	40	40	85	1046	1031.1	40	/	/
39	488.8	473.5	30	40	40	95	1167.3	1152.3	40	/	/
40	500.6	485.62	30	40	40						

28B-1-2-3 (44.45X30.99mm)

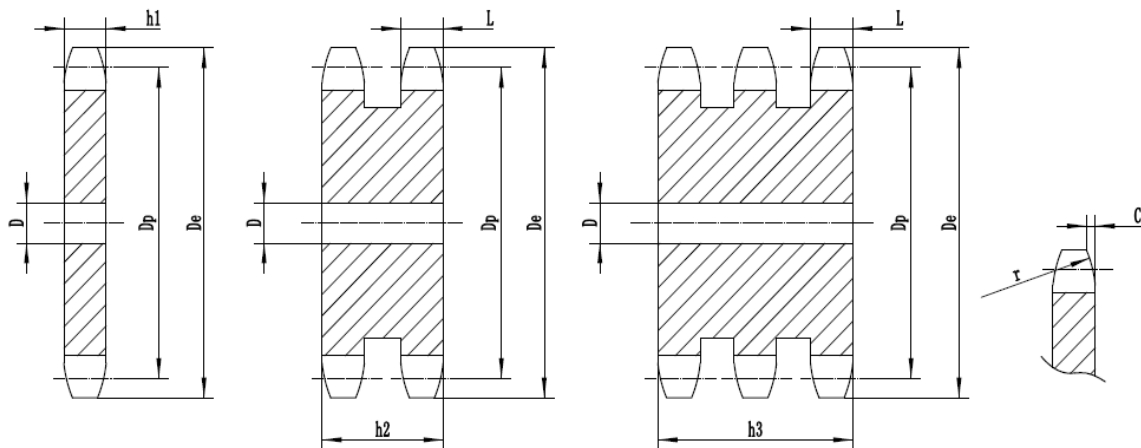


Pitch	44.45
Roller	27.94
r	44
C	5
h1	29.4
L	28.8
h2	88.4
h3	148

Z	De	Dp	Simplex	Duplex	Triplex	Z	De	Dp	Simplex	Duplex	Triplex
			D	D	D				D	D	D
			mm	mm	mm				mm	mm	mm
8	132	116.15	25	25	25	27	401	382.88	30	30	40
9	148.4	129.96	25	25	25	28	416	397	30	30	40
10	162.3	143.85	25	25	25	29	430	411.12	30	30	40
11	176.3	157.77	25	25	30	30	444	425.24	30	30	40
12	189.3	171.74	25	25	30	31	458	439.37	30	30	40
13	204.2	185.75	25	25	30	32	472	453.49	30	30	40
14	218.2	199.76	25	25	30	33	486	467.62	30	30	40

15	232.3	213.79	25	25	30	34	500	481.75	30	30	40
16	246.3	227.84	30	30	30	35	514	495.88	30	30	40
17	260	241.9	30	30	30	36	529	510.01	30	30	40
18	274	255.98	30	30	30	37	543	524.13	30	30	40
19	289	270.06	30	30	30	38	557	538.27	30	30	40
20	303	284.15	30	30	30	39	571	552.4	30	30	40
21	317	298.24	30	30	30	40	585	566.54	30	30	40
22	331	312.34	30	30	30	45	656	637.22	30	30	40
23	345	326.44	30	30	30	50	726	707.91	30	30	40
24	359	340.55	30	30	30	57	825	806.9	40	40	40
25	373	354.66	30	30	40	60	869	849.32	40	40	40
26	387	368.77	30	30	40	76	1095	1075.6	40	40	40

32B-1-2-3 (50.8X30.99mm)

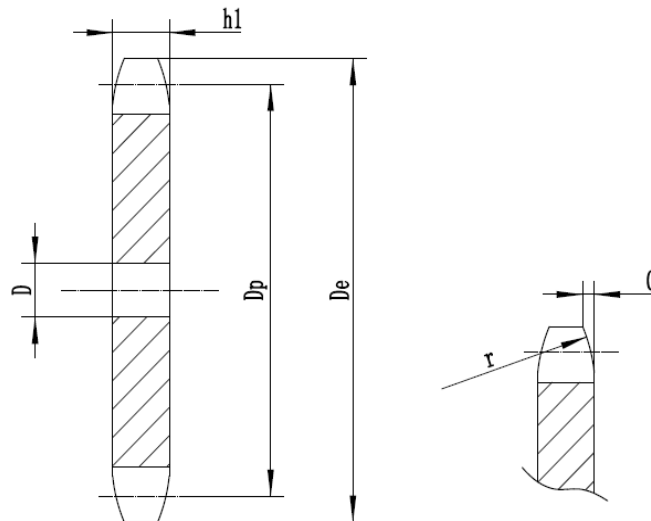


Pitch	50.8
Roller	29.21
r	51
C	6
h1	29.4
L	28.8
h2	87.4
h3	146

Z	De	Dp	Simplex	Duplex	Triplex	Z	De	Dp	Simplex	Duplex	Triplex
			D	D	D				D	D	D
			mm	mm	mm				mm	mm	mm
8	153.2	132.74	25	25	25	24	409.7	389.18	30	30	40
9	169	148.54	25	25	25	25	425.8	405.33	30	30	40
10	185	164.39	25	25	25	26	441.9	421.44	30	30	40
11	200.8	180.31	30	30	30	27	458.1	437.59	30	30	40
12	216.8	196.29	30	30	30	28	474.2	453.69	30	30	40
13	232.8	212.29	30	30	30	29	492	469.85	30	30	40
14	248.8	228.29	30	30	30	30	506.5	486	30	30	40

15	264.8	244.3	30	30	30	32	538.8	518.27	30	/	/
16	280.9	260.4	30	30	30	35	589.5	566.71	30	30	40
17	296.9	276.46	30	30	30	38	635.5	615.16	40	40	40
18	313	292.55	30	30	30	40	670.3	647.47	40	40	40
19	329.1	308.66	30	30	30	45	751	728.24	40	40	40
20	345.2	324.71	30	30	30	50	831.8	809.04	40	40	40
21	361.3	340.82	30	30	40	57	945	922.16	40	40	40
22	377.5	356.98	30	30	40	60	993.4	970.65	40	40	40
23	393.6	373.08	30	30	40	76	1252	1229.3	40	40	40

P50

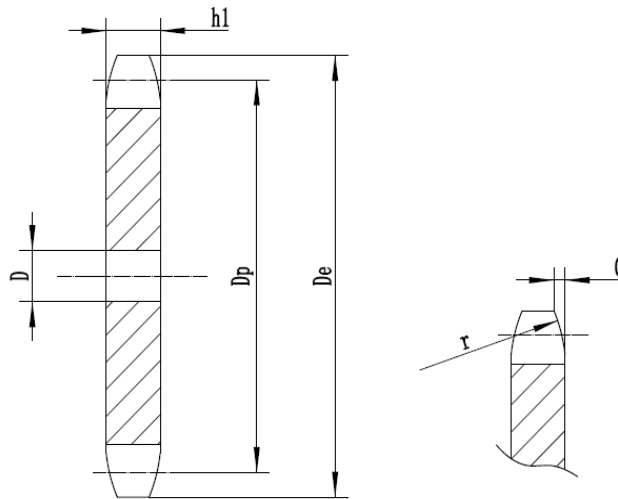


Pitch	50	50
Roller ϕ	25	31
Inner width	11.5	15
r	50	50
C	3	3
h1	10.5	13.5

Z	P50-R25			Z	P50-R31		
	De	Dp	D		De	Dp	D
	mm	mm	mm		mm	mm	mm
6	121	100	20	6	120	100	20
7	136	115.24	20	7	135	115.24	20
8	151.5	130.65	20	8	150.5	130.65	20
9	167	146.2	20	9	166	146.2	20
10	183	161.8	25	10	182	161.8	25
11	198.5	177.5	25	11	197.5	177.5	25
12	214	193.2	25	12	213	193.2	25

13	230	208.95	25	13	229	208.95	25
14	245.5	224.7	25	14	244.5	224.7	25
15	261.5	240.45	25	15	260.5	240.45	25
16	277.5	256.3	30	16	276.5	256.3	30
17	293	272.11	30	17	292	272.11	30
18	309	287.95	30	18	308	287.95	30
19	325	303.8	30	19	324	303.8	30
20	340.5	319.6	30	20	339.5	319.6	30
21	356.5	335.45	30	21	355.5	335.45	30
22	372.5	351.35	30	22	371.5	351.35	30
23	388	367.2	30	23	387	367.2	30
24	404	383.05	30	24	403	383.05	30
25	420	398.95	30	25	419	398.95	30
26	/	/	/	26	435	414.8	30
28	467.5	446.55	30	28	466.5	446.55	30
30	499.5	478.35	30	30	498.5	478.35	30
32	/	/	/	32	530	510.1	30
35	579	557.8	30	35	/	/	/
38	626.5	605.45	30	38	625.5	605.45	30

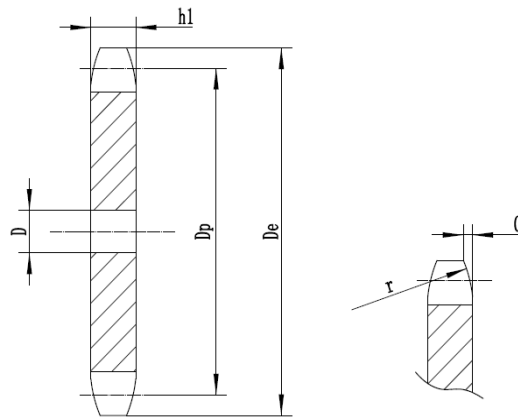
P50.8



Pitch	50.8
Roller ϕ	30
Inner width	10.5
r	50
C	3
h1	8.8

Z	P50.8-R30		
	De	Dp	D
	mm	mm	mm
8	149	132.74	20
10	182	164.39	20
12	214	196.27	25
14	247	228.29	25
16	279	260.39	30

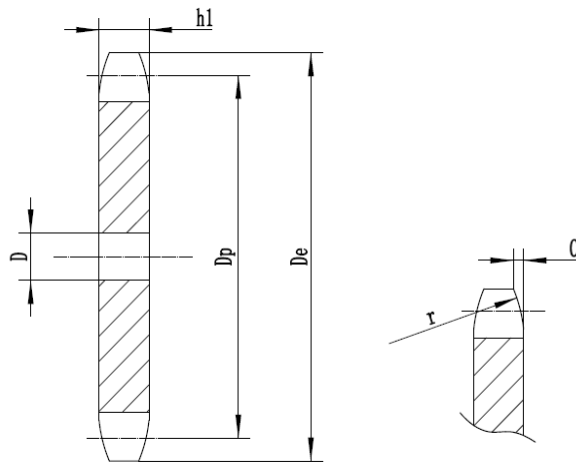
P75



Pitch	75	75
Roller ϕ	25	31
Inner width	11.5	15
r	50	50
C	3	3
h1	10.5	13.5

Z	P75-R25			Z	P75-R31		
	De	Dp	D		De	Dp	D
	mm	mm	mm		mm	mm	mm
6	/	/	/	6	168	150	25
8	211	195.98	25	8	215	195.98	25
9	/	/	/	9	238	219.3	25
10	258	242.7	25	10	261	242.7	30
				11	286	266.25	30
				12	309	289.8	30
				13	333	313.42	30
				14	357	337.05	30
				15	380	360.73	30
				16	404	384.45	30
				20	499	479.4	30
				21	523	503.17	30

P100



Pitch	100	100
Roller ϕ	31	40
Inner width	15	22
r	50	50
C	3	3
h1	13.5	20

Z	P100-R31			Z	P100-R40		
	De	Dp	D		De	Dp	D
	mm	mm	mm		mm	mm	mm
6	218	200	25	6	220	200	25
7	249	230.48	25	7	251	230.48	25
8	280	261.31	30	8	283	261.31	30
9	311	292.4	30	9	314	292.4	30
10	342	323.61	30	10	345	323.61	30
11	375	354.95	30	11	378	354.95	30
12	406	386.4	30	12	409	386.4	30
13	437	417.9	30	13	441	417.9	30
14	469	449.4	30				
15	500	480.97	30				
16	532	512.6	30				