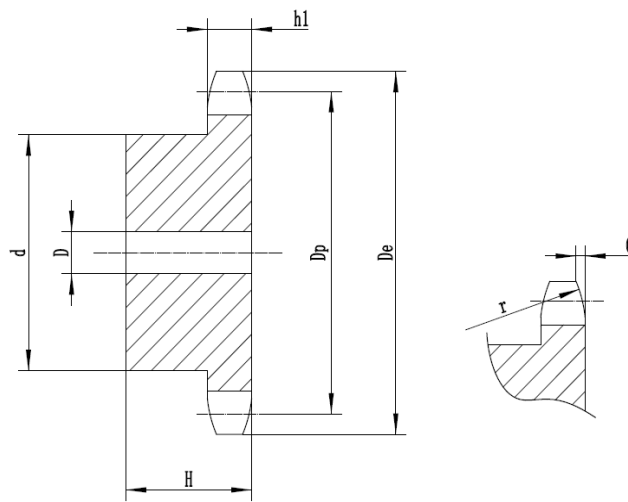


25-1 (6.35X3.18mm)

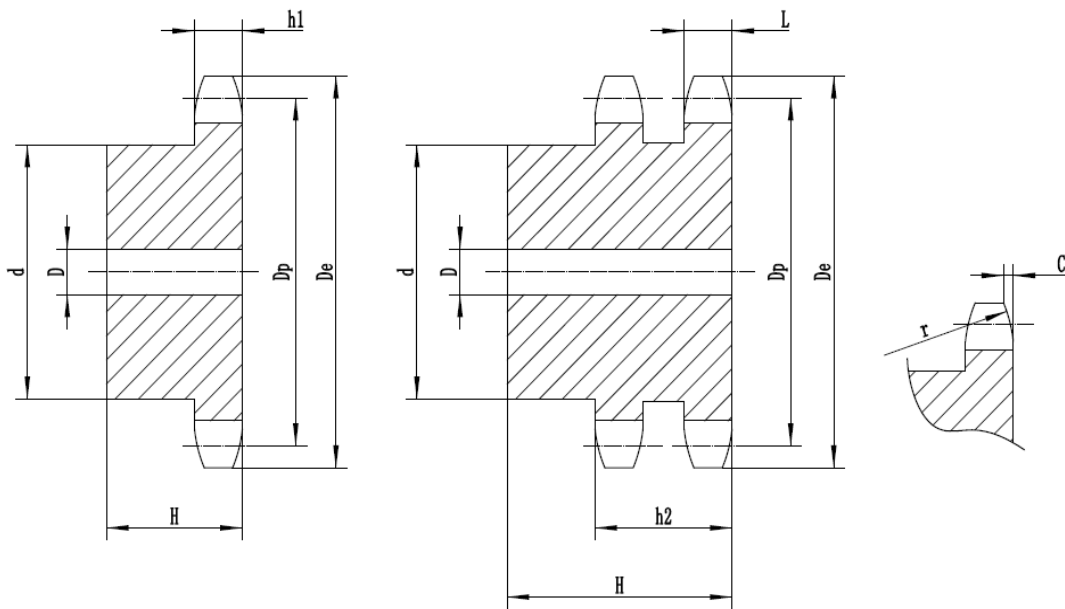


Pitch	6.35
Roller	3.3
r	6.4
C	0.7
h1	2.9

Z	De	Dp	Simplex		
			d	D	H
			mm	mm	mm
8	19.4	16.58	10	6	12
9	21.4	18.56	11.5	6	12
10	23.3	20.55	13	6	12
11	25.3	22.54	15	8	13
12	27.3	24.53	17	8	13
13	29.3	26.53	17	8	13
14	31.3	28.53	17	8	13
15	33.3	30.55	20	8	13
16	35.3	32.55	22	8	14

17	37.3	34.55	22	8	14
18	39.4	36.56	25	8	14
19	41.4	38.58	25	8	14
20	43.4	40.58	25	8	14
21	45.4	42.6	30	8	14
22	47.4	44.62	30	8	14
23	49.4	46.63	30	8	14
24	51.4	48.64	30	8	14
25	53.3	50.66	30	8	14
26	55.5	52.67	30	8	16
27	57.5	54.69	30	8	16
28	59.5	56.71	30	8	16
29	61.5	58.75	30	8	16
30	63.6	60.75	30	8	16
31	65.6	62.76	30	8	16
32	67.6	64.78	30	8	16
33	69.6	66.8	30	8	16
34	71.6	68.82	30	8	16
35	73.6	70.84	30	8	16
36	75.6	72.85	30	8	16
37	77.7	74.87	30	8	16
38	79.7	76.89	30	8	16
39	81.7	78.91	30	8	16
40	83.7	80.93	30	8	16

35-1-2 (9.525X4.77mm)

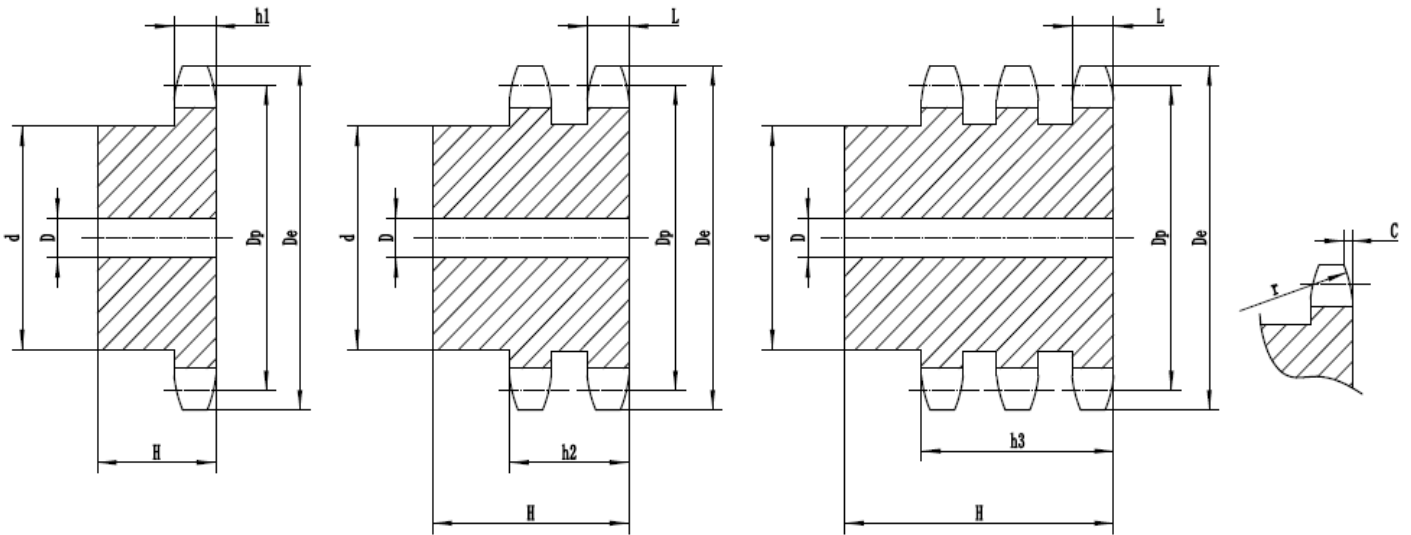


Pitch	9.525
Roller	5.08
r	10
C	1.2
h1	4.4
L	4.3
h2	14.4

Z	De	Dp	Simplex			Duplex		
			d	D	H	d	D	H
			mm	mm	mm	mm	mm	mm
10	35.7	30.82	20	8	22	/	/	/
11	38.69	33.8	22	8	25	/	/	/
12	41.68	36.8	25	8	25	/	/	/
13	44.68	39.8	28	10	25	28	10	25
14	47.68	42.8	31	10	25	31	10	25

15	50.69	45.81	34	10	25	34	10	25
16	53.7	48.82	38	10	28	37	12	30
17	56.72	51.83	38	10	28	40	12	30
18	59.73	54.85	38	10	28	43	12	30
19	62.75	57.87	46	10	28	46	12	30
20	65.77	60.89	46	10	28	49	12	30
21	68.79	63.91	46	12	28	52	16	30
22	71.81	66.93	52	12	28	55	16	30
23	74.83	69.95	52	12	28	58	16	30
24	77.85	72.97	52	12	28	61	16	30
25	80.88	76	58	12	28	64	16	30
26	83.9	79.02	58	12	28	67	16	30
27	86.93	82.04	58	12	28	70	16	30
28	89.95	85.07	60	12	28	73	16	30
30	96	91.12	60	12	28	/	/	/

40-1-2-3 (12.7X7.94mm)

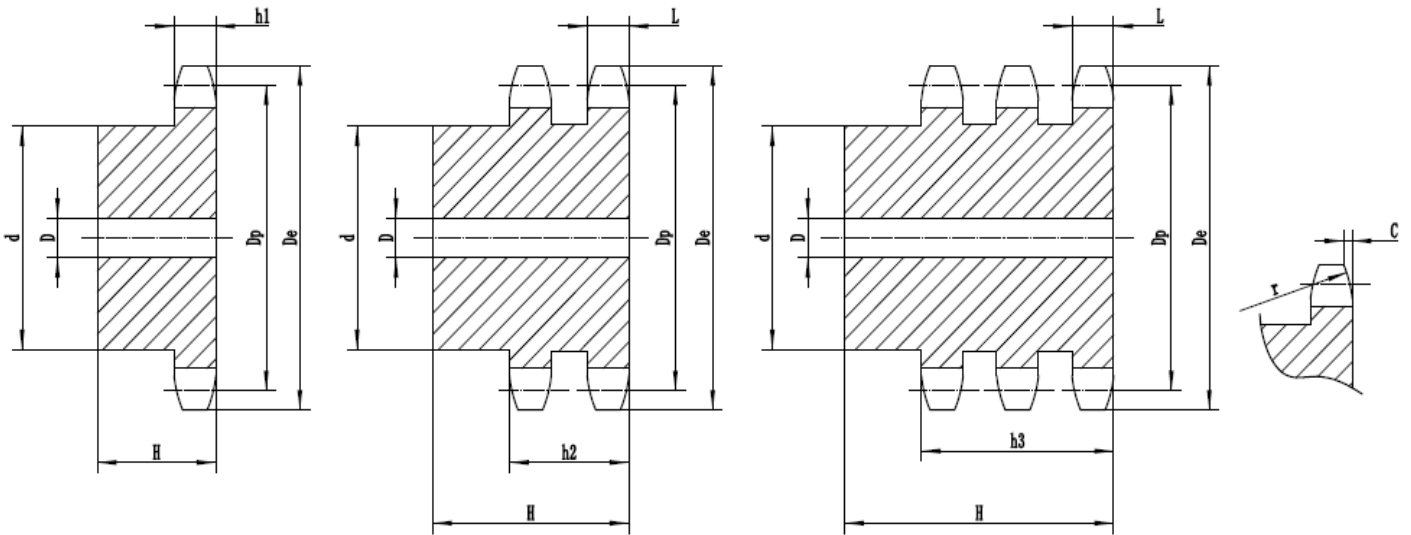


Pitch	12.7
Roller	7.94
r	13.5
C	1.6
h1	7.4
L	7.2
h2	21.6
h3	36

Z	De	Dp	Simplex			Duplex			Triplex		
			d	D	H	d	D	H	d	D	H
			mm	mm	mm	mm	mm	mm	mm	mm	mm
10	47.66	41.1	26	10	25	/	/	/	/	/	/
11	51.64	45.08	29	10	25	/	/	/	/	/	/
12	55.63	49.07	35	10	28	/	/	/	35	14	50
13	59.63	53.07	35	10	28	38	12	35	38	14	50

14	63.63	57.07	35	10	28	42	12	35	42	14	50
15	67.64	61.08	48	10	28	46	12	35	46	14	50
16	71.66	65.1	48	10	28	50	14	35	50	16	50
17	75.68	69.12	48	10	28	54	14	35	54	16	50
18	79.7	73.14	60	12	28	58	14	35	58	16	50
19	83.72	77.16	60	12	28	62	14	35	62	16	50
20	87.74	81.18	60	12	28	66	14	35	66	16	50
21	91.77	85.21	65	12	28	70	16	40	70	20	55
22	95.8	89.24	65	12	28	70	16	40	70	20	55
23	99.83	93.27	65	12	28	70	16	40	70	20	55
24	103.86	97.3	70	14	28	75	16	40	75	20	55
25	107.89	101.33	70	14	28	80	16	40	80	20	55
26	111.92	105.36	70	14	28	85	20	40	85	20	55
27	115.96	109.4	70	16	30	85	20	40	85	20	55
28	119.99	113.43	70	16	30	90	20	40	90	20	55
30	128.06	121.5	80	16	30	100	20	40	/	/	/
32	136.13	129.57	80	16	30						
35	148.24	141.68	90	16	30						
36	152.28	145.72	90	16	30						
38	160.35	153.79	90	16	35						
40	168.43	161.87	90	16	35						

50-1-2-3 (15.875X9.52mm)

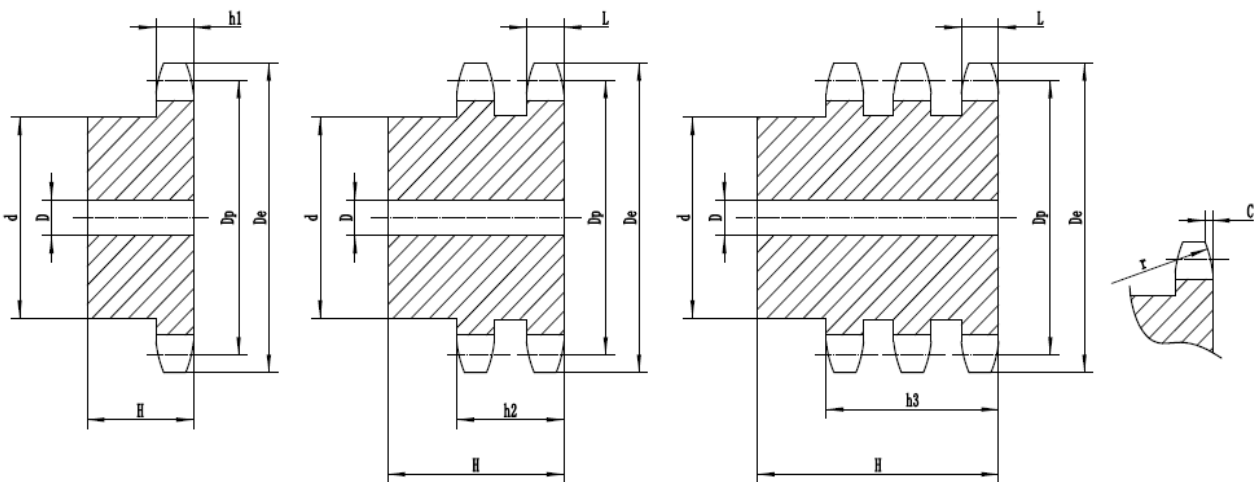


Pitch	15.875
Roller	10.16
r	17
C	2
h1	9
L	8.8
h2	26.9
h3	45

Z	De	Dp	Simplex			Duplex			Triplex		
			d	D	H	d	D	H	d	D	H
			mm	mm	mm	mm	mm	mm	mm	mm	mm
8	47	41.48	25	10	25	/	/	/	/	/	/
9	52.6	46.42	30	10	25	/	/	/	/	/	/
10	57.5	51.37	35	10	25	/	/	/	/	/	/
11	63	56.34	37	12	30	/	/	/	/	/	/

12	68	61.34	42	12	30	/	/	/	44	16	55
13	73	66.32	47	12	30	49	14	40	49	16	55
14	78	71.34	52	12	30	54	14	40	54	16	55
15	83	76.36	57	12	30	59	14	40	59	16	55
16	88	81.37	60	12	30	64	16	45	64	16	60
17	93	86.39	60	12	30	69	16	45	69	16	60
18	98.3	91.42	70	14	30	74	16	45	74	16	60
19	103.3	96.45	70	14	30	79	16	45	79	16	60
20	108.4	101.49	75	14	30	84	16	45	84	16	60
21	113.4	106.52	75	16	30	85	16	45	85	20	60
22	118	111.55	80	16	30	90	16	45	90	20	60
23	123.4	116.58	80	16	30	95	16	45	95	20	60
24	128.3	121.62	80	16	30	100	16	45	100	20	60
25	134	126.66	80	16	30	105	16	45	105	20	60
26	139	131.7	85	20	35				110	20	60
27	144	136.75	85	20	35				110	20	60
28	148.7	141.78	90	20	35				115	20	60
29	153.8	146.83	90	20	35						
30	158.8	151.87	90	20	35						
31	163.9	156.92	95	20	35						
32	168.9	161.95	95	20	35						
33	174.5	167	95	20	35						
34	179	172.05	95	20	35						
35	184.1	177.1	95	20	35						
36	189.1	182.15	100	20	35						
37	194.2	187.2	100	20	35						
38	199.2	192.24	100	20	35						
39	204.2	197.29	100	20	35						
40	209.3	202.34	100	20	35						

60-1-2-3 (19.05X12.7mm)

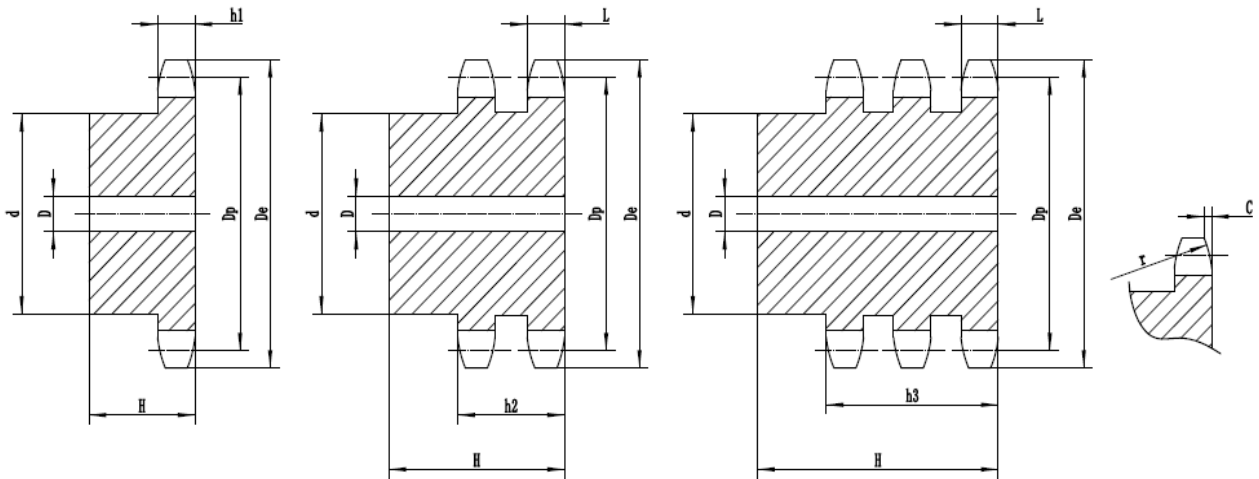


Pitch	19.05
Roller	11.91
r	20
C	2.4
h1	12
L	11.8
h2	34.6
h3	57.4

Z	De	Dp	Simplex			Duplex			Triplex		
			d	D	H	d	D	H	d	D	H
			mm	mm	mm	mm	mm	mm	mm	mm	mm
10	71.54	61.64	42	12	30	42	12	45	/	/	/
11	77.51	67.61	45	12	30	47	16	50	/	/	/
12	83.49	73.61	45	12	30	53	16	50	53	20	70
13	89.49	79.59	60	14	35	59	16	50	59	20	70
14	95.5	85.61	60	14	35	65	16	50	65	20	70

15	101.52	91.63	60	14	35	71	16	50	71	20	70
16	107.54	97.65	75	16	35	77	20	50	77	20	70
17	113.56	103.67	75	16	35	83	20	50	83	20	70
18	119.59	109.71	75	16	35	89	20	50	89	20	70
19	125.63	115.75	80	16	35	95	20	50	95	20	70
20	131.67	121.78	80	16	35	100	20	50	100	20	70
21	137.71	127.82	80	16	35	100	20	50	100	20	70
22	143.75	133.86	90	20	40	100	20	50	100	20	70
23	149.79	139.9	90	20	40	110	20	50	110	20	70
24	155.84	145.94	90	20	40	110	20	50	110	20	70
25	161.88	152	90	20	40	120	20	50	120	20	70
26	167.93	158.04	90	20	40	120	20	50			
27	173.98	164.09	90	20	40	120	20	50			
28	180.03	170.13	95	20	40	120	20	50			
30	192.14	182.25	95	20	40	120	20	50			

80-1-2-3 (25.4X15.88mm)

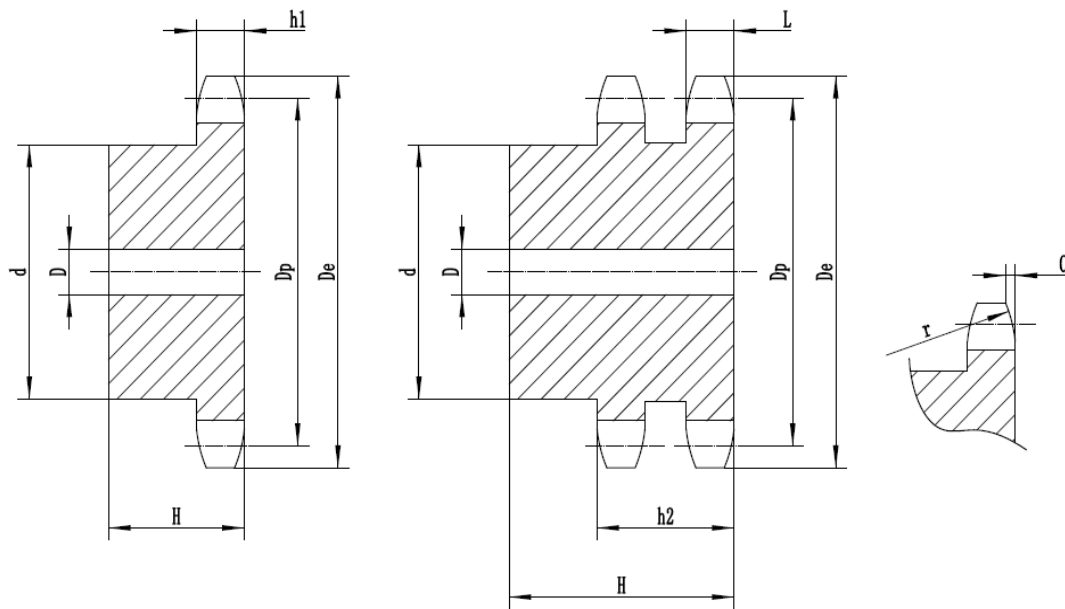


Pitch	25.4
Roller	15.88
r	27
C	3.2
h1	15
L	14.7
h2	44
h3	73.3

Z	De	Dp	Simplex			Duplex			Triplex		
			d	D	H	d	D	H	d	D	H
			mm	mm	mm	mm	mm	mm	mm	mm	mm
8	79.49	66.37	42	16	35	/	/	/	/	/	/
9	87.38	74.27	50	16	35	/	/	/	/	/	/
10	95.32	82.19	55	16	35	/	/	/	/	/	/
11	103.28	90.14	61	16	40	/	/	/	/	/	/
12	111.26	98.14	69	16	40	72	20	70	72	25	100
13	119.26	103.12	78	16	40	80	20	70	80	25	100

14	127.27	114.15	84	16	40	88	20	70	88	25	100
15	135.29	122.17	92	16	40	96	20	70	96	25	100
16	143.32	130.2	100	20	45	104	20	70	104	30	100
17	151.35	138.22	100	20	45	112	20	70	112	30	100
18	159.39	146.28	100	20	45	120	20	70	120	30	100
19	167.44	154.33	100	20	45	128	20	70	128	30	100
20	175.49	162.38	100	20	45	130	20	70	130	30	100
21	183.54	170.43	110	20	50	130	20	70	/	/	/
22	191.6	178.48	110	20	50						
23	199.66	186.53	110	20	50						
24	207.72	194.59	110	20	50						
25	215.78	202.66	110	20	50						
26	223.84	210.72	120	20	50						
27	231.91	218.79	120	20	50						
28	239.98	226.85	120	20	50						
29	248.05	234.92	120	20	50						
30	256.12	243	120	20	50						

100-1-2 (31.75X19.05mm)

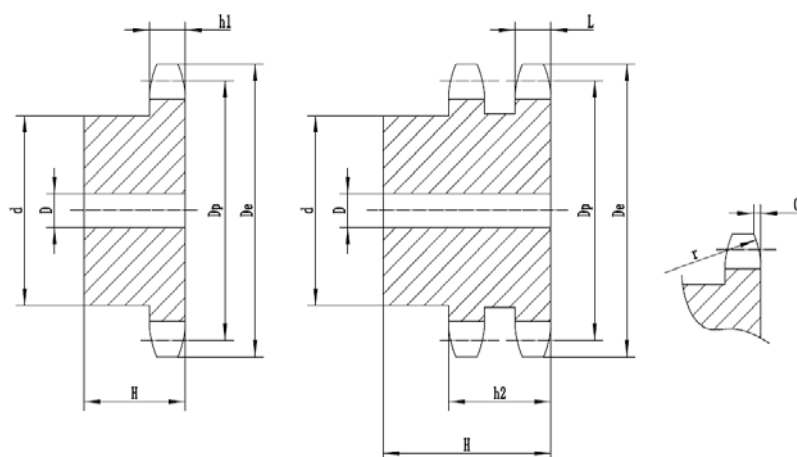


Pitch	31.75
Roller	19.05
r	33.5
C	4
h1	18
L	17.7
h2	53.5

Z	De	Dp	Simplex			Duplex		
			d	D	H	d	D	H
			mm	mm	mm	mm	mm	mm
8	98.1	82.96	53	20	40	/	/	/
9	108	92.86	63	20	40	/	/	/
10	117.9	102.74	70	20	40	/	/	/
11	127.8	112.68	77	20	45	/	/	/
12	137.8	122.68	88	20	45	90	20	80

13	147.8	132.65	98	20	45	100	20	80
14	157.8	142.68	108	20	45	110	20	80
15	167.9	152.72	118	20	45	120	20	80
16	177.9	162.75	120	25	50	120	25	80
17	187.9	172.78	120	25	50	120	25	80
18	198	182.85	120	25	50			
19	208.1	192.91	120	25	50			
20	218.1	202.98	120	25	50			
21	228.2	213.04	140	25	55			
22	238.3	223.11	140	25	55			
23	248.3	233.17	140	25	55			
24	258.4	243.23	140	25	55			
25	268.5	253.33	140	25	55			

120-1-2 (38.1X25.4mm)



Pitch	38.1
Roller	22.22
r	40.5
C	4.8
h1	24.1
L	23.6
h2	69

Z	De	Dp	Simplex			Duplex		
			d	D	H	d	D	H
			mm	mm	mm	mm	mm	mm
8	119.04	99.55	58	20	45	/	/	/
9	130.88	111.4	70	20	45	/	/	/
10	142.77	123.29	80	20	45	/	/	/
11	154.71	135.21	90	25	50	/	/	/
12	166.69	147.22	102	25	50	102	25	100
13	178.68	159.18	114	25	50	114	25	100
14	190.7	171.22	128	25	50	128	25	100
15	202.73	183.26	140	25	50	140	25	100